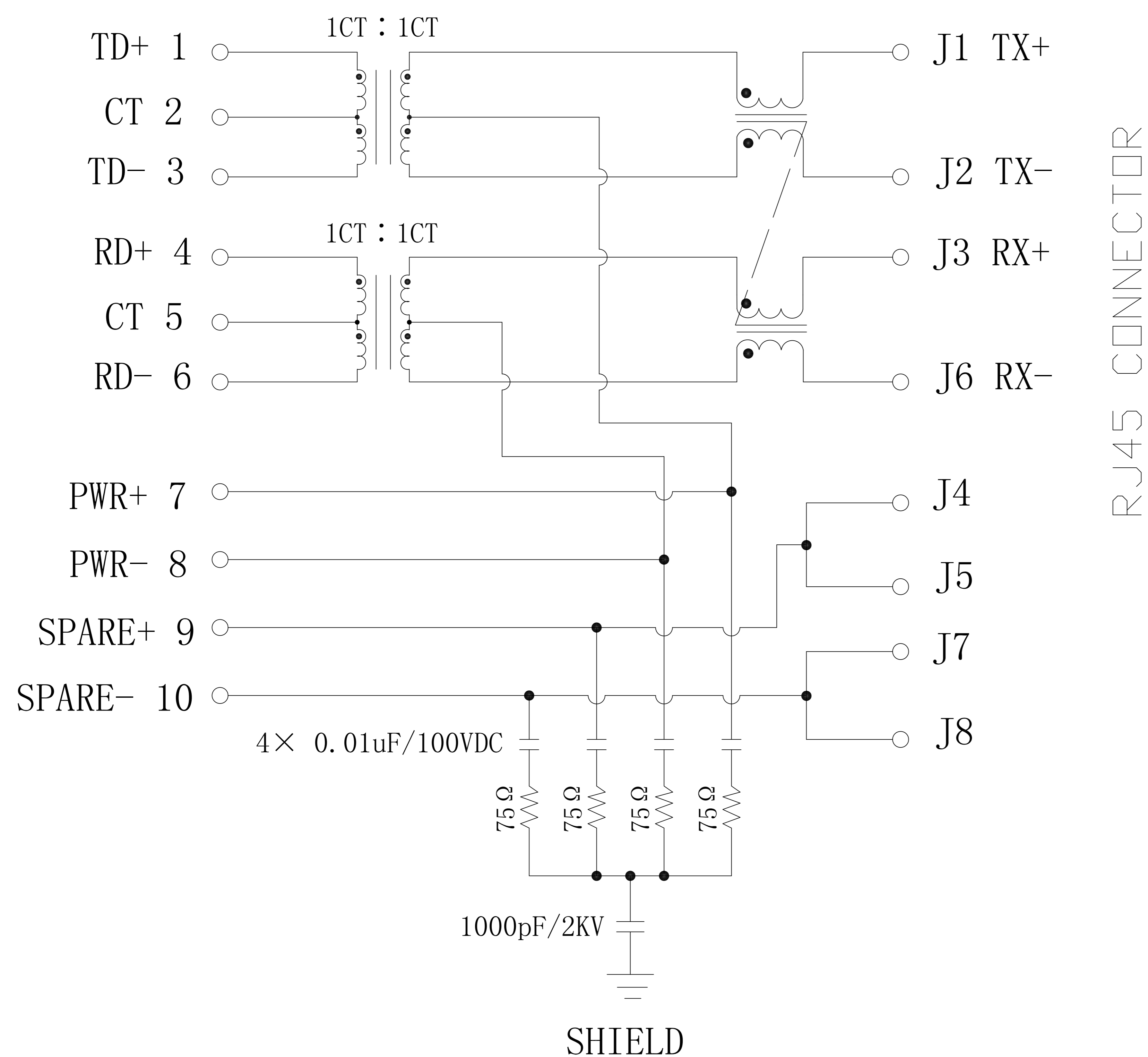


# Schematic:

REV.	ECN NO.	DESCRIPTION	DATE	APPD
A	REL		2018/04/26	

PC BOARD CONNECTIONS



## Electrical Specifications @25°C

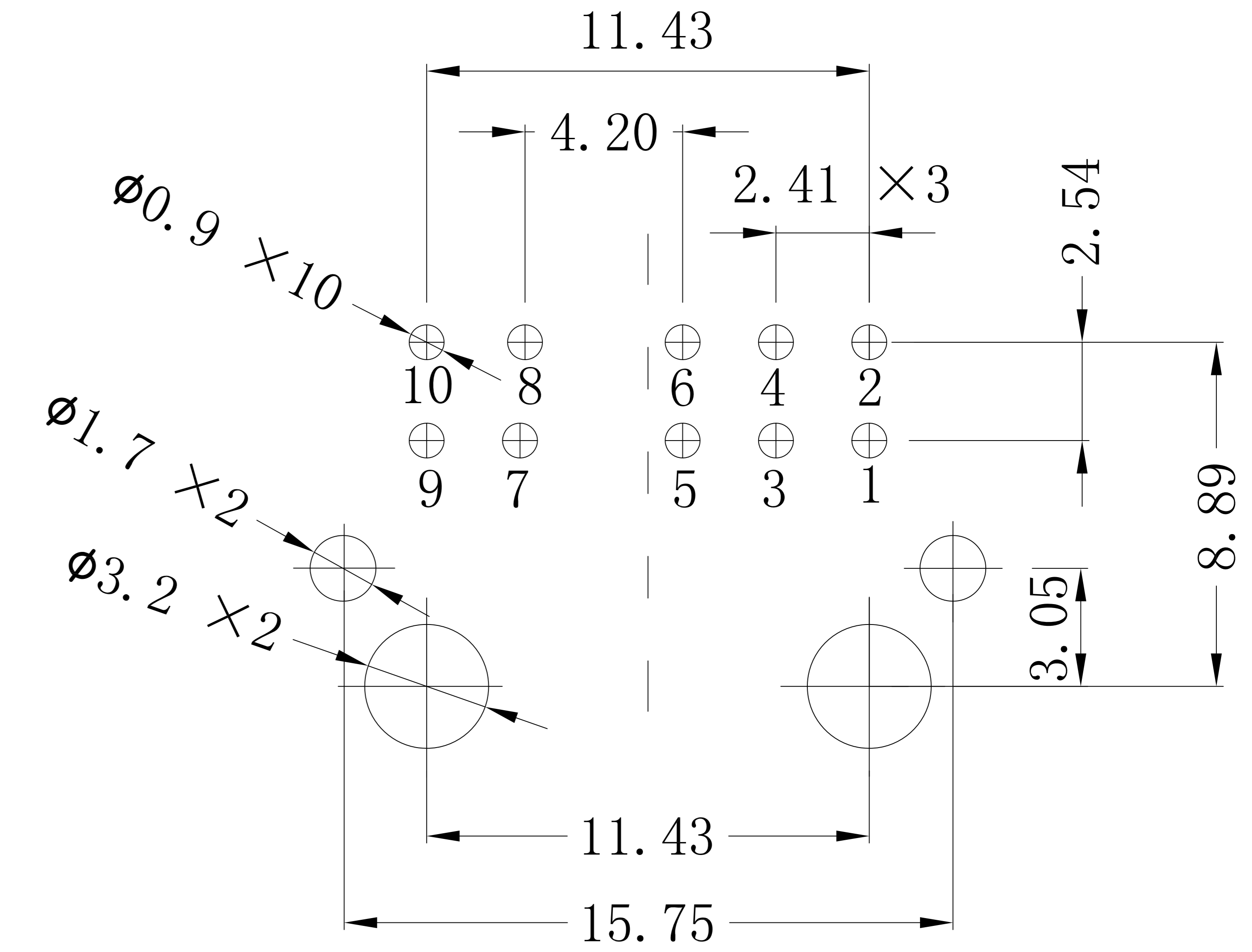
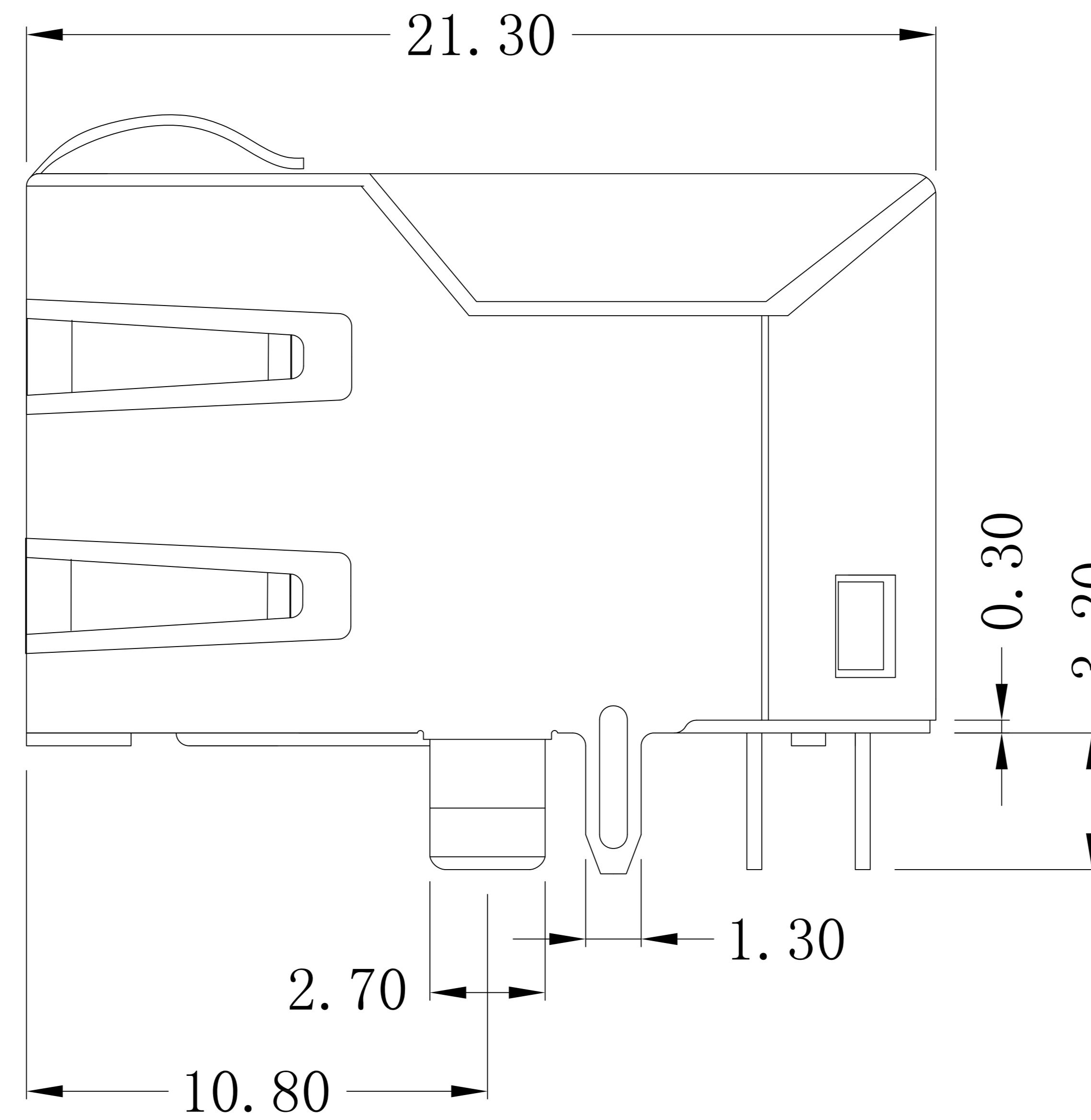
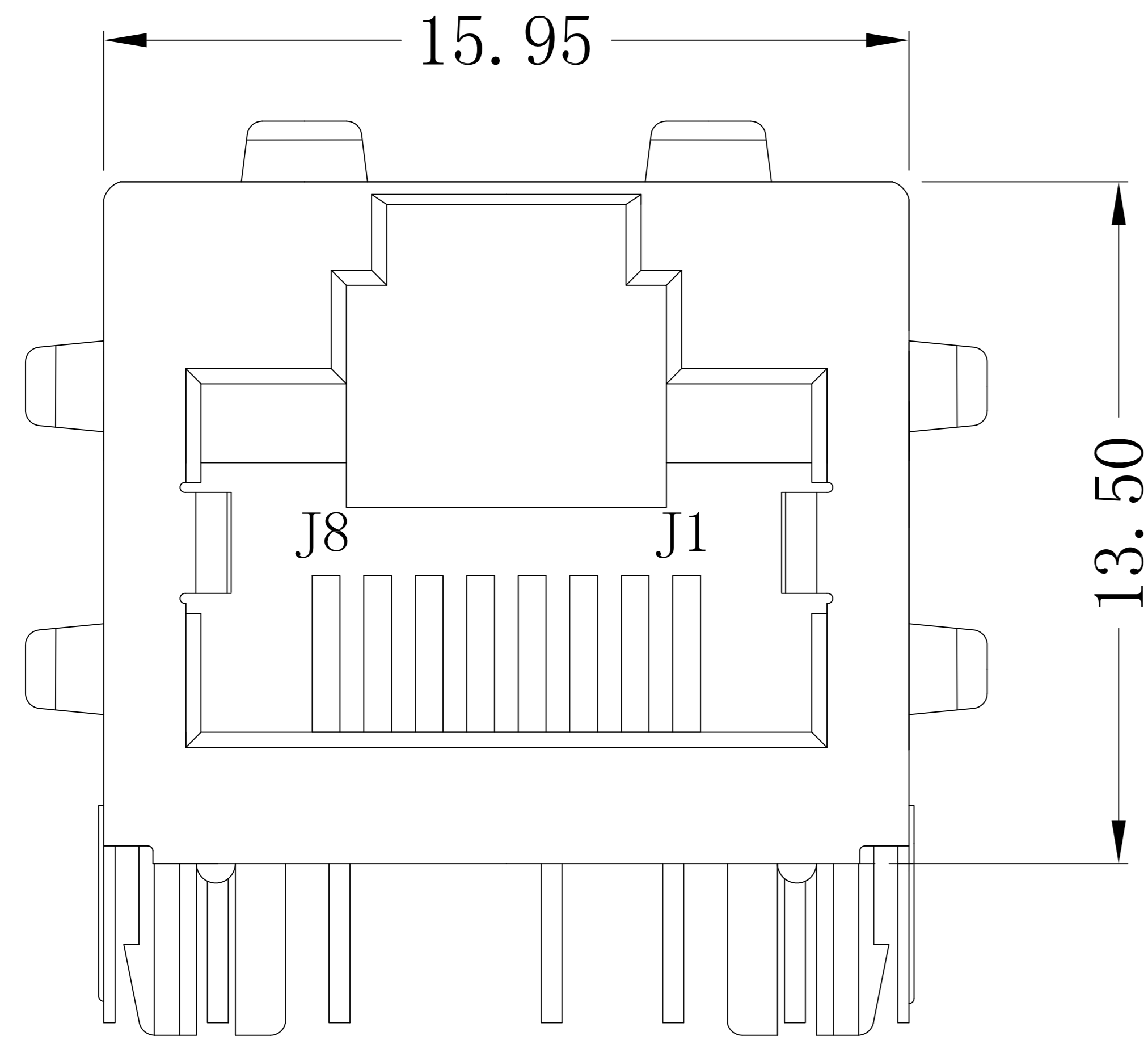
- Turns Ratio ( $\pm 2\%$ ) :  
TX=1CT : 1CT      RX=1CT : 1CT
- Inductance OCL: 350uH Min  
@100KHz, 0.1Vrms, 8mADC Bias
- Insertion Loss:  
0.1-100MHz:-1.2dB Max
- Return Loss(dB Min):  
1-30MHz:-16;      40MHz:-14  
50MHz:-13;      60-80MHz:-12
- Crosstalk:  
0.1-100MHz:-33dB Min
- CMRR(dB Min):  
32MHz:-42;      62MHz:-37  
100MHz:-33;
- Balanced DC Line Current Capability  
(J1, J2-7) & (J3, J6-8) & (J4, J5-9) & (J7, J8-10) :  
350mADC Max.
- Isolation Voltage: 1500Vrms
- Operating Temperature: 0°C ~ 70°C.



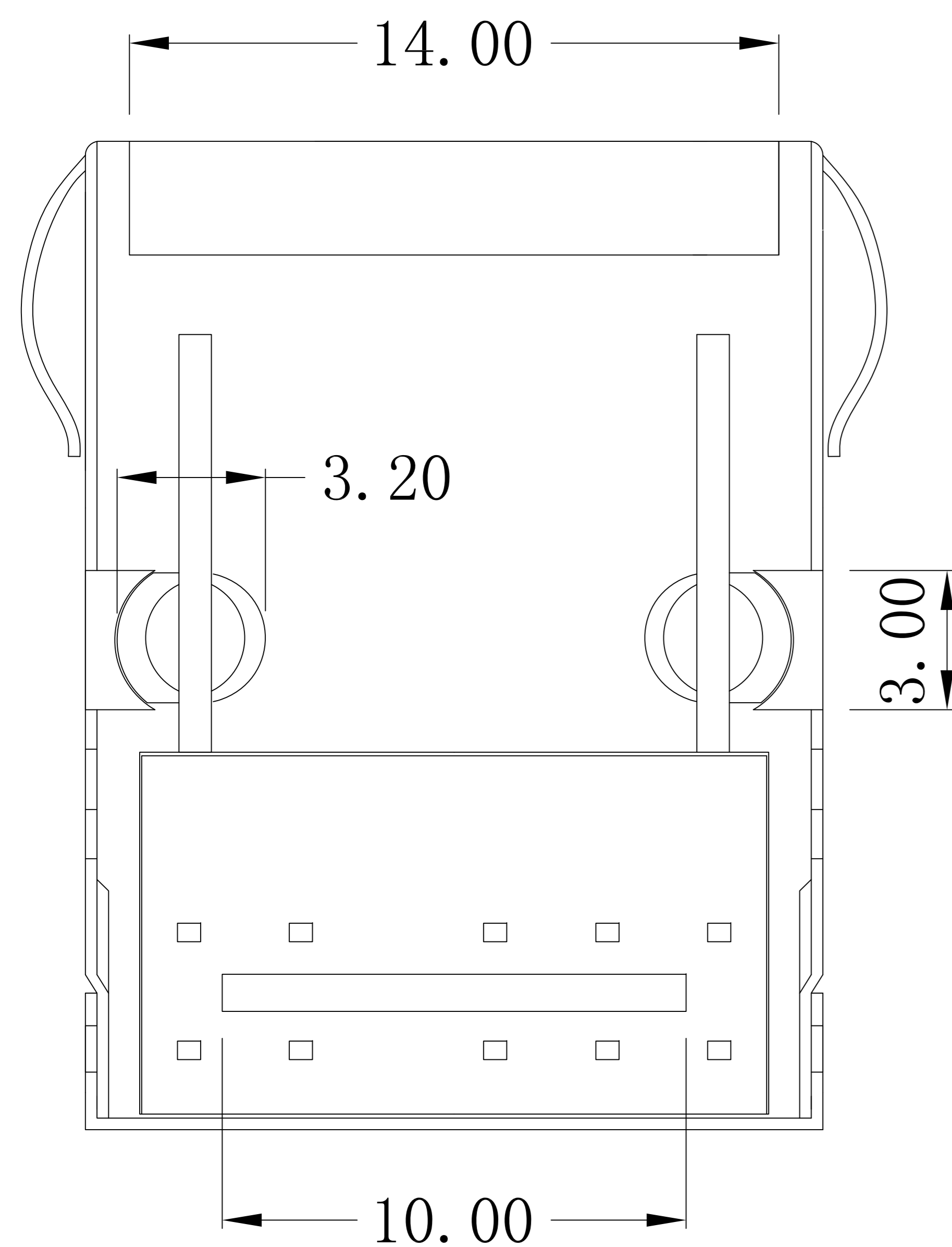
X:X	$\pm 0.30$	APPD:	LINK-PP INT'L TECHNOLOGY CO., LIMITED
X:XX	$\pm 0.25$	CHKD:	
X:XXX	$\pm 0.05$	DR: TOM	
ANGLES	$\pm 1^\circ$	UNIT: mm	TITLE: RJ45 Connector With 10 /100 Base-TX Integrated Magnetic TAB-UP For PoE Application
		PART NO. :	LPJ16801CNL
	SCALE: 2/1	SHEET: 1/2	REV: A      DWG NO: LP18042601

# Mechanical :

REV.	ECN NO.	DESCRIPTION	DATE	APPD
A	REL		2018/04/26	



SUGGESTED PCB LAYOUT(TOP VIEW)



## NOTES:

1. Designed to support application, such as SOHO (ADSL modems), LAN-on-Motherboard (LOM), hub and Switches.
2. Meets IEEE 802.3af specification
3. Connector Materials:  
 Housing: Thermoplastic UL94V-0  
 Contact/Shield: Copper alloy  
 Shield plating: Nickel  
 Contact plating: Gold 6 micro-inches min. In contact area.
4. Wave solder tip temperature: 265°C Max, 5 Sec.
5. UL Certification: File Number E484635.



X:X	±0.30	APPD:	LINK-PP INT'L TECHNOLOGY CO., LIMITED
X:XX	±0.25	CHKD:	
X:XXX	±0.05	DR: TOM	TITLE: RJ45 Connector With 10 /100 Base-TX Integrated Magnetic TAB-UP For PoE Application
ANGLES	±1°	UNIT: mm	PART NO. : LPJ16801CNL
	SCALE: 2/1	SHEET: 2/2	REV: A DWG NO: LP18042601