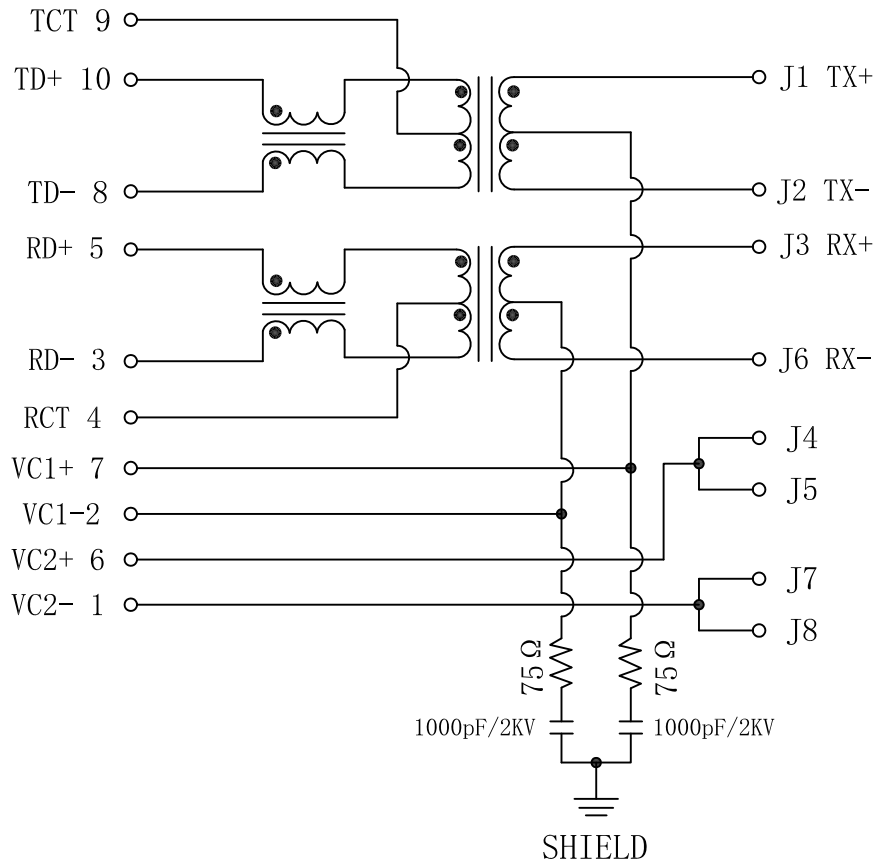


Schematic:

REV.	ECN NO.	DESCRIPTION	DATE	APPD
A	REL		2016-03-29	

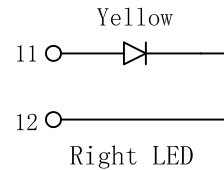
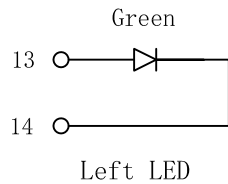
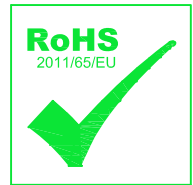
PC BOARD CONNECTIONS



RJ45 CONNECTOR

ELECTRICAL SPECIFICATIONS @25°C

- Turn Ratio ($\pm 3\%$):
TX=1CT:1CT RX=1CT:1CT
- Inductance OCL:
350uH MIN @ 100KHz 0.1V 8mA DC Bias
- DCR: 1.2 Ω MAX
- Insertion Loss:
-1.1dB MAX @0.5-100MHz
- Return Loss:
-18dB MIN @0.5-30MHz
-15dB MIN @30-60MHz
-12dB MIN @60-80MHz
- Cross talk:
-35dB MIN @0.5-40MHz
-30dB MIN @40-100MHz
- CMRR:
-30dB MIN @0.5-100MHz
- Balanced DC line current:
350mA Max@57VDC Continuous.
500mA Max@57VDC for 200 Milliseconds.
- Hipot Test: 1500Vrms
- Operating Temperature Range: -40°C TO +85°C

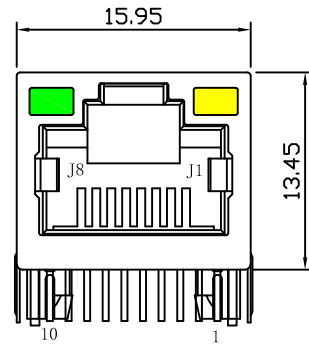


Emitting Color	λ p(nm)	VF@IF=20mA	IR @VR=5V
Green	565	1.8~2.6V	10 μ A max
Yellow	585	1.8~2.6V	10 μ A max

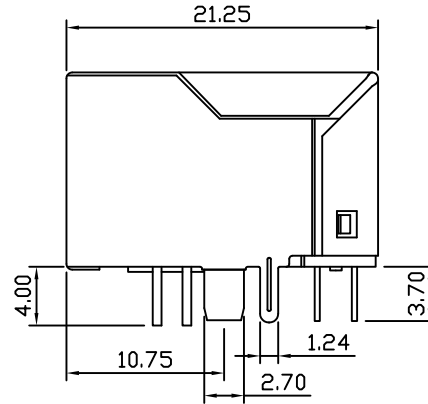
X:X	± 0.30	APPD:	LINK-PP INT'L TECHNOLOGY CO., LIMITED	
X:XX	± 0.25	CHKD:	TITLE: RJ45 Connector with 10/100 Base-T Integrated Magnetics For PoE Application	
X:XXX	± 0.05	DR: TOM	PART NO.: LPJ16677BENL	
ANGLES	$\pm 1^\circ$	UNIT: mm	DWG NO.: LP16032910	
		SCALE: 2/1	SHEET: 1/2	REV: A

Mechanical:

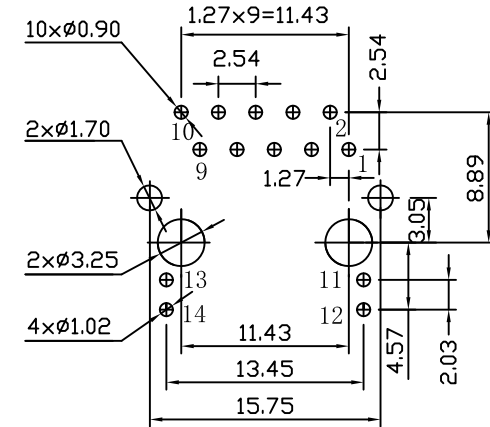
REV.	ECN NO.	DESCRIPTION	DATE	APPD
A	REL		2016-03-29	



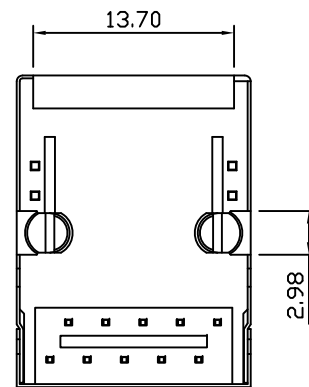
Front Side View



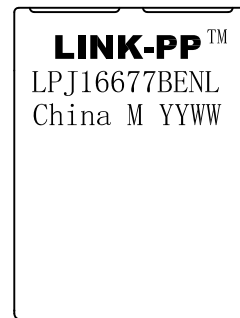
Left Side View



Suggested PCB Layout (Top View)



Bottom Side View



Top Side View



NOTES:

1. Meets IEEE 802.3af specification
2. Connector Materials:
 Housing Material: Thermoplastic PBT+30%G. F UL94V-0
 Contact Material: Phosphor Bronze C5210R-EH Thickness=0.35mm
 Pins: Brass C2680R-H Thickness=0.35mm
 Shield: SUS 201-1/2H Thickness=0.2mm
 Contact plating: Gold 6 micro-inches min. In contact area.
3. Wave solder tip temperature: 265°C Max, 5 Sec Max.
4. UL Certification: File Number E484635.

X:X	±0.30	APPD:	LINK-PP INT'L TECHNOLOGY CO., LIMITED	
X:XX	±0.25	CHKD:	TITLE: RJ45 Connector with 10/100 Base-T Integrated Magnetics For PoE Application	
X:XXX	±0.05	DR: TOM	PART NO.: LPJ16677BENL	
ANGLES	±1°	UNIT: mm		
	SCALE: 2/1	SHEET: 2/2	REV: A	DWG NO.: LP16032910