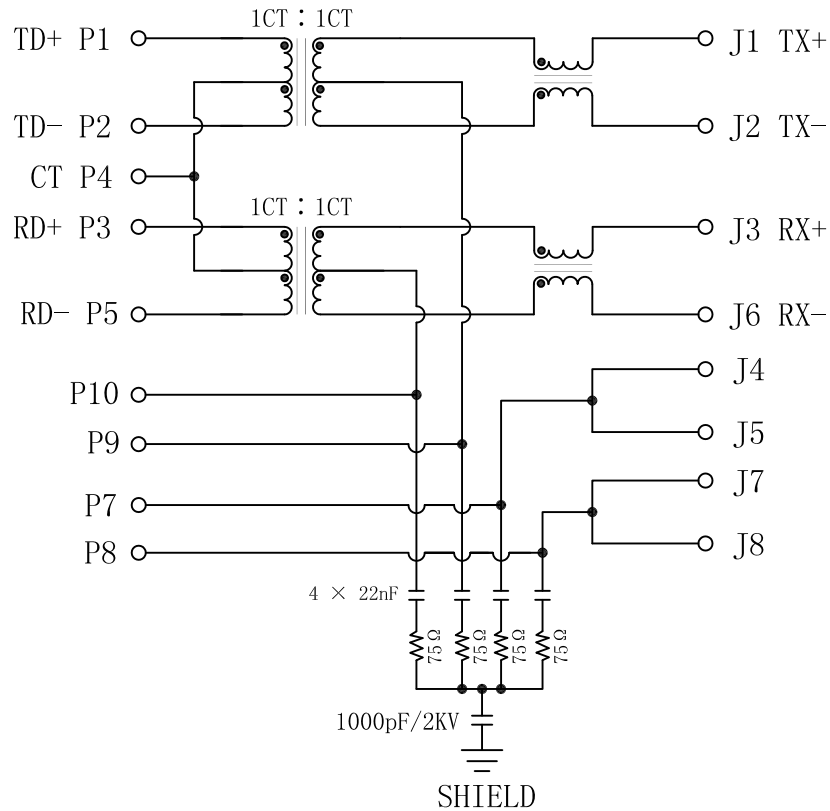


Schematic:

REV.	ECN NO.	DESCRIPTION	DATE	APPD
A	REL		2015-11-03	

PC BOARD CONNECTIONS



RJ45 CONNECTOR

Electrical Specifications @25°C

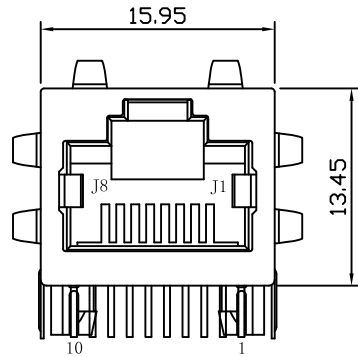
- Turns Ratio ($\pm 5\%$) :
TX=1CT : 1CT RX=1CT : 1CT
- Inductance OCL: 350uH Min
@100KHz, 0.1Vrms, 8mADC Bias
- DC Resistance: 1.2 Ω Max
- Insertion Loss:
1-100MHz:-1.2dB Max
- Return Loss(dB Min) :
1-30MHz:-16; 30-60MHz:-12
60-80MHz:-10
- Crosstalk(dB Min) :
1-100MHz:-30
- Common to Common Mode Attenuation:
1-100MHz:-30dB Min
- Isolation Voltage: 1500Vrms
- DC Current/Voltage Rating-pse Pins:
350mADC @57V(continuous)
- Operating Temperature: -40°C ~ +85°C.



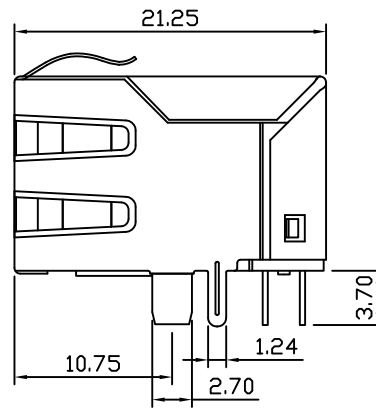
X:X	± 0.30	APPD:	LINK-PP INT'L TECHNOLOGY CO., LIMITED	
X:XX	± 0.25	CHKD:	TITLE: RJ45 Connector With 10 /100 Base-TX Integrated Magnetic For PoE Application	
X:XXX	± 0.05	DR: TOM	PART NO. : LPJ16666CNL	
ANGLES	$\pm 1^\circ$	UNIT: mm		
	SCALE: 2/1	SHEET: 1/2	REV: A	DWG NO. : LP15110302

Mechanical:

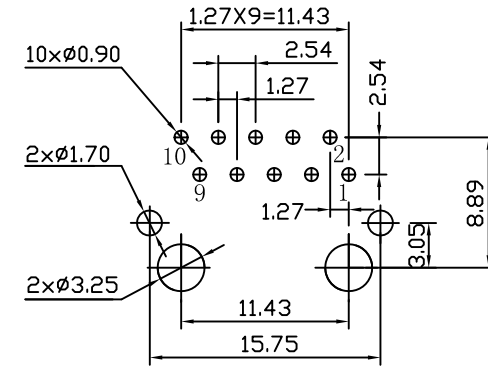
REV.	ECN NO.	DESCRIPTION	DATE	APPD
A	REL		2015-11-03	



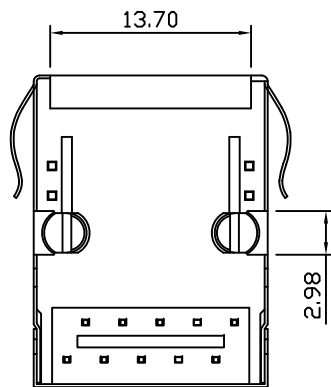
Front Side View



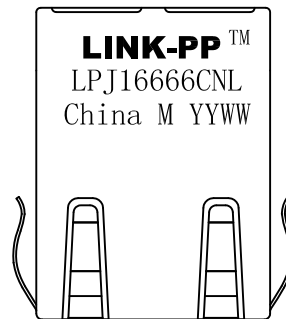
Left Side View



Suggested PCB Layout (Top View)



Bottom Side View



Top Side View

NOTES:

1. Designed to support application, such as SOHO (ADSL modems), LAN-on-Motherboard (LOM), hub and Switches.
2. Meets IEEE 802.3af specification
3. Connector Materials:
 Housing: Thermoplastic PBT+30%G.F UL94V-0
 Contact: Phosphor Bronze C5210R-EH Thickness=0.35mm
 Pins: Brass C2680R-H Thickness=0.35mm
 Shield: SUS 201-1/2H Thickness=0.2mm
 Contact plating: Gold 6 micro-inches min. In contact area.
4. Wave solder tip temperature: 265°C Max, 5 Sec Max.

X:X	±0.30	APPD:	LINK-PP INT'L TECHNOLOGY CO., LIMITED	
X:XX	±0.25	CHKD:	TITLE: RJ45 Connector With 10 /100 Base-TX Integrated Magnetic For PoE Application	
X:XXX	±0.05	DR: TOM	PART NO.: LPJ16666CNL	
ANGLES	±1°	UNIT: mm	DWG NO.: LP15110302	
	SCALE: 2/1	SHEET: 2/2	REV: A	