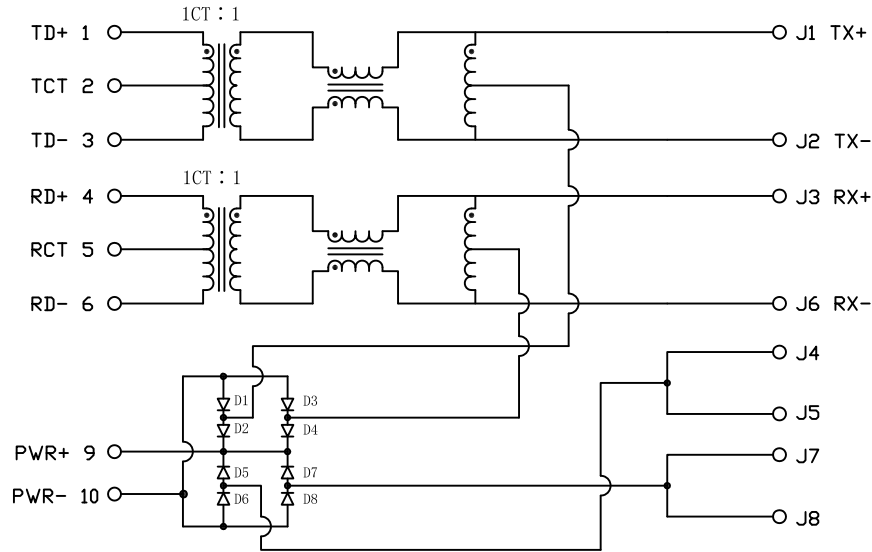


Schematic:

REV.	ECN NO.	DESCRIPTION	DATE	APPD
A	REL		2011-03-05	

PC BOARD CONNECTIONS



RJ45 CONNECTOR

Electrical Specifications @25°C

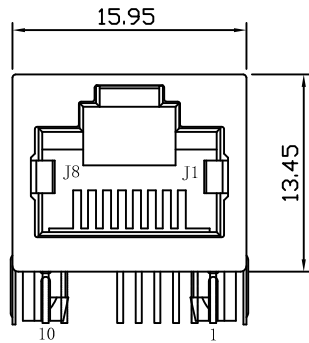
- Turns Ratio($\pm 3\%$):
TX=1CT : 1 RX=1CT : 1
- Inductance OCL: 350uH Min
@100KHz, 100mV, 8mAdc.
- Insertion Loss:
1-100MHz:-1.9dB Max
- Return Loss(dB Min, @100Ω):
1-30MHz:-18
30-45MHz:-13.5
45-60MHz:-12
60-80MHz:-10
- Crosstalk:
1-100MHz:-30dB Min
- Mode Rejection Ratio:
1-100MHz:-30dB Min
- PoE current 350mADC MAX
- Rectifier Diode Spec:
Forward Voltage, VF=1.0V Max @ If=1A
Forward Current, If=1A
Reverse Voltage, VR=80V Max
- Isolation Voltage: 1500Vrms
- Operating Temperature: -40°C ~ +85°C



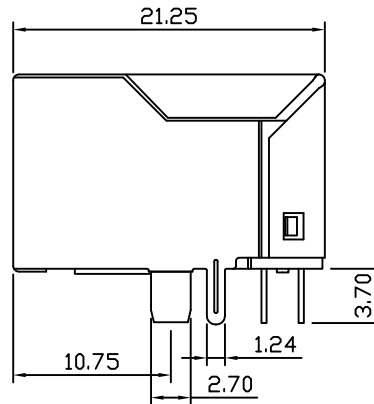
X:X	± 0.30	APPD:	LINK-PP INT'L TECHNOLOGY CO., LIMITED	
X:XX	± 0.25	CHKD:	TITLE: RJ45 Connector With 10 /100 Base-TX Integrated Magnetic For PoE Application	
X:XXX	± 0.05	DR: TOM		
ANGLES	$\pm 1^\circ$	UNIT: mm	PART NO. : LPJ16624DNL	
	SCALE: 2/1	SHEET: 1/2	REV: A	DWG NO. : LP11030532

Mechanical:

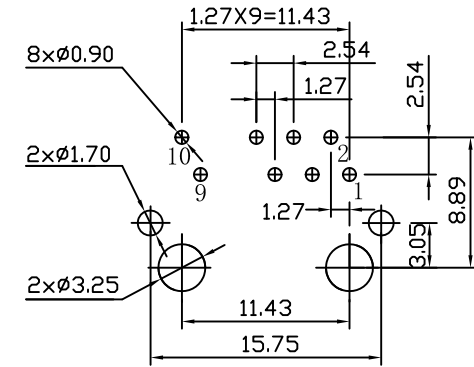
REV.	ECN NO.	DESCRIPTION	DATE	APPD
A	REL		2011-03-05	



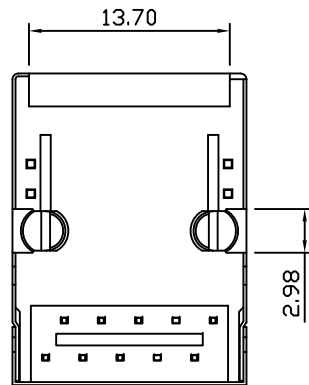
Front Side View



Left Side View



Suggested PCB Layout (Top View)



Bottom Side View



Top Side View

NOTES:

1. Designed to support application, such as SOHO (ADSL modems), LAN-on-Motherboard (LOM), hub and Switches.
2. Meets IEEE 802.3af specification
3. Connector Materials:
 Housing: Thermoplastic PBT+30%G.F UL94V-0
 Contact: Phosphor Bronze C5210R-EH Thickness=0.35mm
 Pins: Brass C2680R-H Thickness=0.35mm
 Shield: SUS 201-1/2H Thickness=0.2mm
 Contact plating: Gold 6 micro-inches min. In contact area.
4. Wave solder tip temperature: 265°C Max, 5 Sec Max.

X:X ±0.30	APPD:	LINK-PP INT'L TECHNOLOGY CO., LIMITED		
X:XX ±0.25	CHKD:			
X:XXX ±0.05	DR: TOM	TITLE: RJ45 Connector With 10 /100 Base-TX Integrated Magnetic For PoE Application		
ANGLES ±1°	UNIT: mm	PART NO.: LPJ16624DNL		
	SCALE: 2/1	SHEET: 2/2	REV: A	DWG NO.: LP11030532