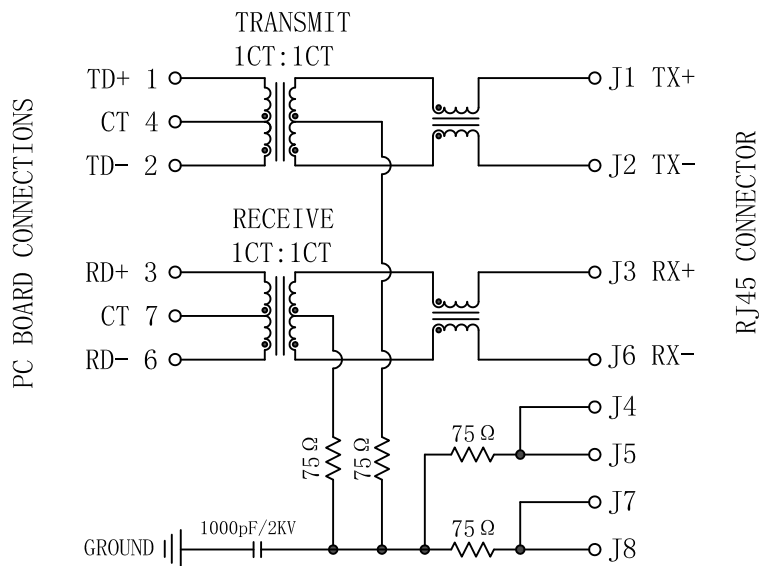


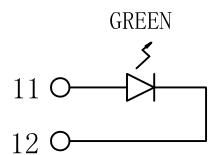
Schematic:

REV.	ECN NO.	DESCRIPTION	DATE	APPD
A	REL		2014-01-13	

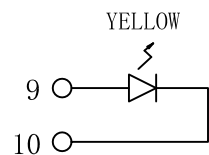


Electrical Specifications @25°C

- Turns Ratio ($\pm 2\%$) :
TX=1CT:1CT RX=1CT:1CT
- Primary Inductance(P1-P2, P3-P6): 350uH Min
@100KHz, 0.1Vrms, 8mA DC bias
- Insertion Loss:
0.3-100MHz: -1.2dB Max
- Return Loss(dB Min):
1-30MHz:-16; 40MHz:-14
50MHz:-13 60-80MHz:-12
- Crosstalk(dB Min):
0.3-30MHz: -40 30-60MHz: -35
60-100MHz: -30
- Common Mode Rejection(dB Min):
1-50MHz: -30 50-150MHz: -20
- Hipot Test: 1500Vrms
- Operating Temperature: $-40^{\circ}\text{C} \sim +85^{\circ}\text{C}$.



Left LED



Right LED

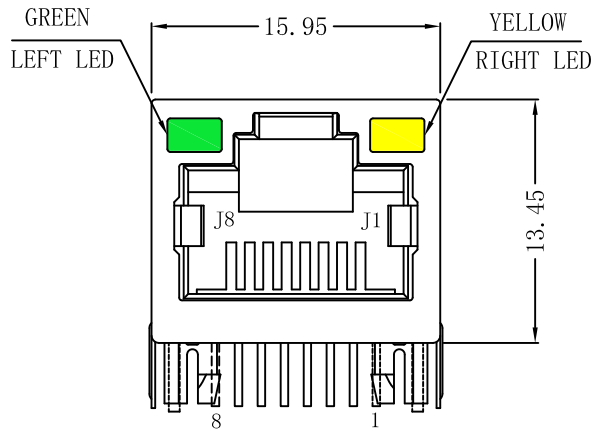
Emitting Color	λ p(nm)	V _F @I _F =20mA	I _R @V _R =5V
GREEN	565	1.8~2.6V	10 μ A max
YELLOW	585	1.8~2.6V	10 μ A max



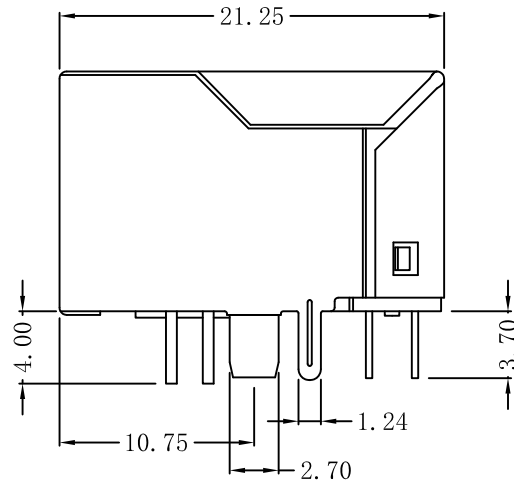
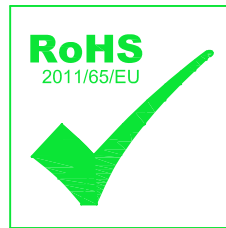
X:X	± 0.25	APPD:	LINK-PP INT'L TECHNOLOGY CO., LIMITED	
X:XX	± 0.20	CHKD:	TITLE: RJ45 Connector With 10/100 Base-TX Integrated Magnetic TAB-UP	
X:XXX	± 0.05	DR: SEA	PART NO.: LPJ16614BENL	
ANGLES	$\pm 1^{\circ}$	UNIT: mm	REV: A DWG NO: LP1401131820	
SCALE: 2/1		SHEET: 1/2		REV: A

Mechanical :

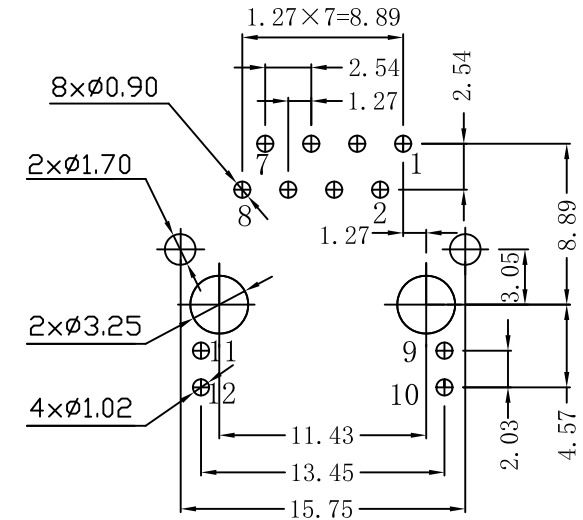
REV.	ECN NO.	DESCRIPTION	DATE	APPD
A	REL		2014-01-13	



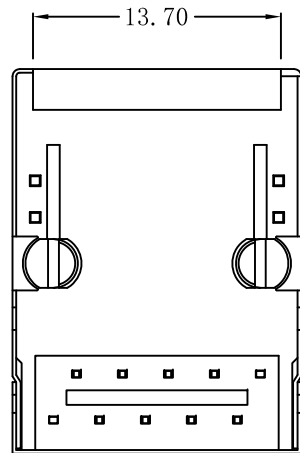
Front Side View



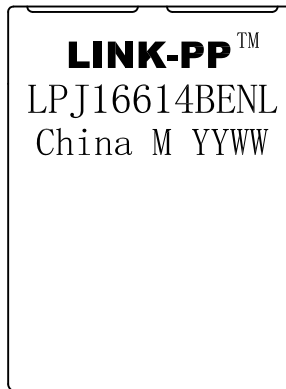
Left Side View



Suggested PCB Layout (Top View)



Bottom Side View



Top Side View

NOTES:

1. Designed to support application, such as SOHO (ADSL modems), LAN-on-Motherboard (LOM), hub and Switches.
2. Meets IEEE 802.3 specification
3. Connector Materials:
Housing: Thermoplastic PBT+30%G.F UL94V-0
Contact: Phosphor Bronze C5210R-EH Thickness=0.35mm
Pins: Brass C2680R-H Thickness=0.35mm
Shield: SUS 201-1/2H Thickness=0.2mm
Contact plating: Gold 6 micro-inches Min. In contact area.
4. Wave solder tip temperature: 265°C Max, 5 Sec.
5. UL Certification: File Number E484635.

X:X	±0.25	APPD:	LINK-PP INT'L TECHNOLOGY CO., LIMITED	
X:XX	±0.20	CHKD:	TITLE: RJ45 Connector With 10/100 Base-TX Integrated Magnetic TAB-UP	
X:XXX	±0.05	DR: SEA	PART NO.: LPJ16614BENL	
ANGLES	±1°	UNIT: mm		
	SCALE: 2/1	SHEET: 2/2	REV: A	DWG NO: LP1401131820