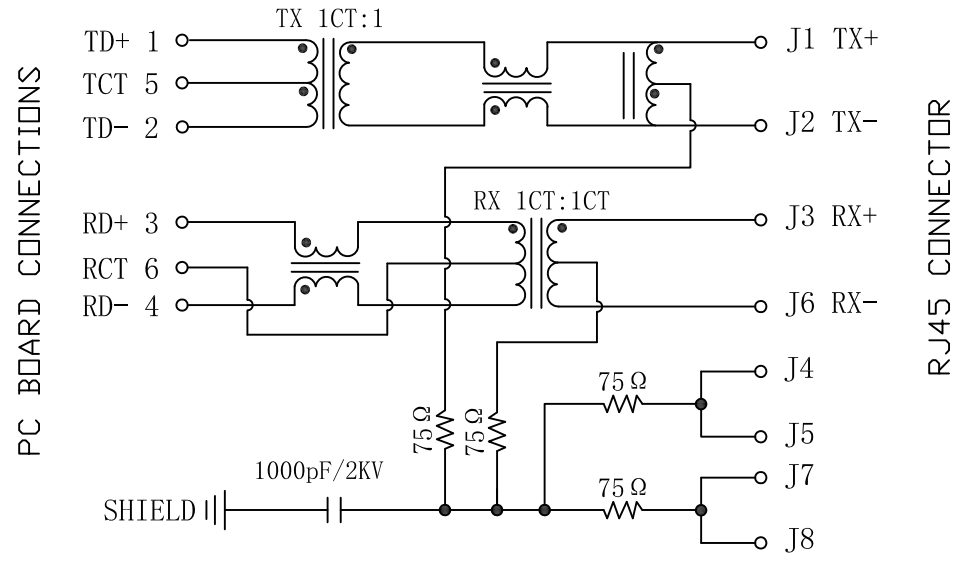


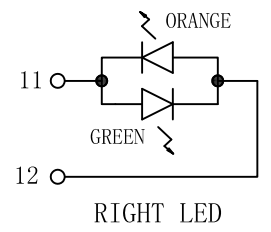
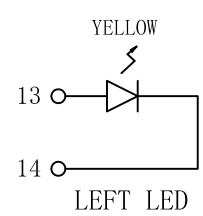
Schematic:

REV.	ECN NO.	DESCRIPTION	DATE	APPD
A	REL		2017/11/16	



Electrical Specification @25°C

- Turns Ratio (Pri:Sec ±2%):
TX=1CT:1 RX=1CT:1CT
- OCL: 350uH Min
@100KHz, 100mV, 8mA, DC Bias
- Insertion Loss:
1-100MHz:-1.0dB Max
- Return Loss(dB Min):
1-30MHz:-18 30-60MHz:-16
60-80MHz:-12
- Crosstalk:
1-100MHz:-30dB Min
- CMR:
1-100MHz:-30dB Min
- Isolation Voltage: 1500Vrms
- Operating Temperature: 0°C ~ 70°C.

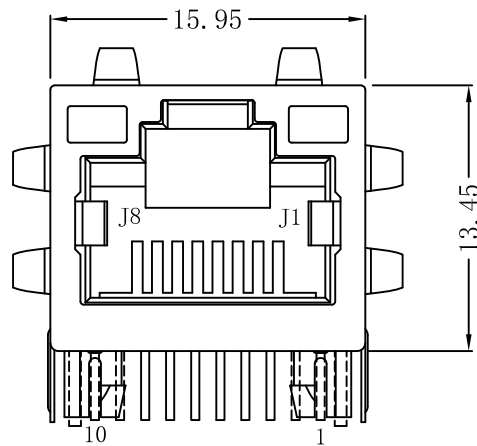


Emitting Color	λ p(nm)	VF@IF=20mA	IR @VR=5V
GREEN / ORANGE	565 / 610	1.8~2.6V	10 μ A max
YELLOW	585	1.8~2.6V	10 μ A max

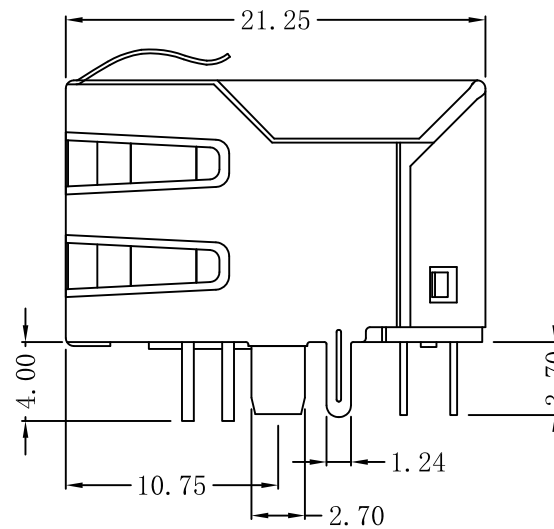
X:X	±0.30	APPD:	LINK-PP INT'L TECHNOLOGY CO., LIMITED
X:XX	±0.25	CHKD:	
X:XXX	±0.05	DR: TOM	TITLE: RJ45 Connector With 10 /100 Base-TX Integrated Magnetic TAB-UP
ANGLES	±1°	UNIT: mm	PART NO.: LPJ16297AQNL
	SCALE: 2/1	SHEET: 1/2	REV: A DWG NO: LP17111601

Mechanical :

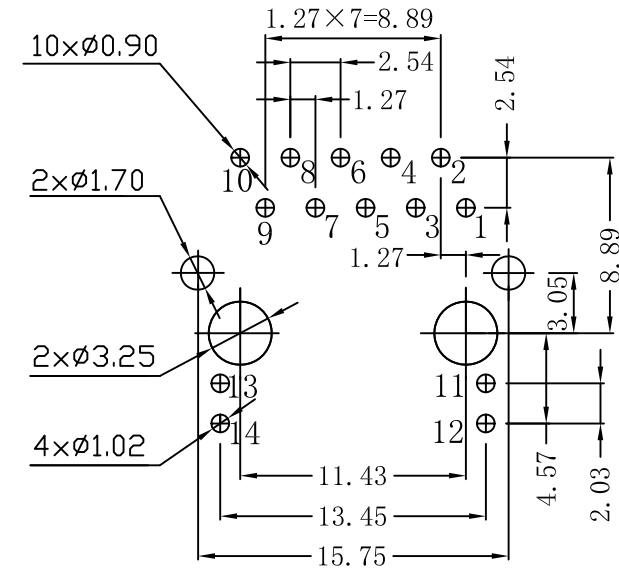
REV.	ECN NO.	DESCRIPTION	DATE	APPD
A	REL		2017/11/16	



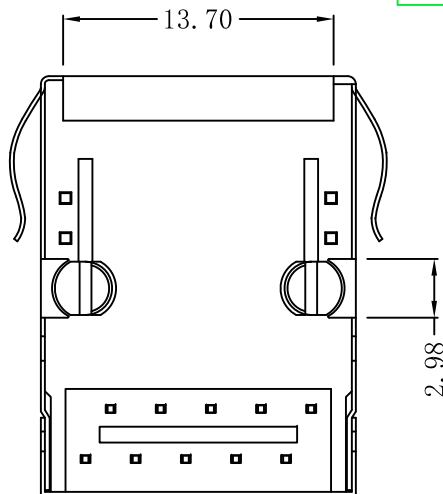
Front Side View



Left Side View



Suggested PCB Layout (Top View)



Bottom Side View



Top Side View

NOTES:

1. Designed to support application, such as SOHO (ADSL modems), LAN-on-Motherboard (LOM), hub and Switches.
2. Meets IEEE 802.3 specification
3. Connector Materials:
 Housing: Thermoplastic PBT+30%G. F UL94V-0
 Contact: Phosphor Bronze C5210R-EH Thickness=0.35mm
 Pins: Brass C2680R-H Thickness=0.35mm
 Shield: SUS 201-1/2H Thickness=0.2mm
 Contact plating: Gold 6 micro-inches min. In contact area.
4. Wave solder tip temperature: 265°C Max, 5 Sec Max.
5. UL Certification: File Number E484635.

X:X	±0.30	APPD:	LINK-PP INT'L TECHNOLOGY CO., LIMITED	
X:XX	±0.25	CHKD:	TITLE: RJ45 Connector With 10 /100 Base-TX Integrated Magnetic TAB-UP	
X:XXX	±0.05	DR: TOM	PART NO. : LPJ16297AQN	
ANGLES	±1°	UNIT: mm	SHEET: 2/2	
		SCALE: 2/1	REV: A	DWG NO: LP17111601