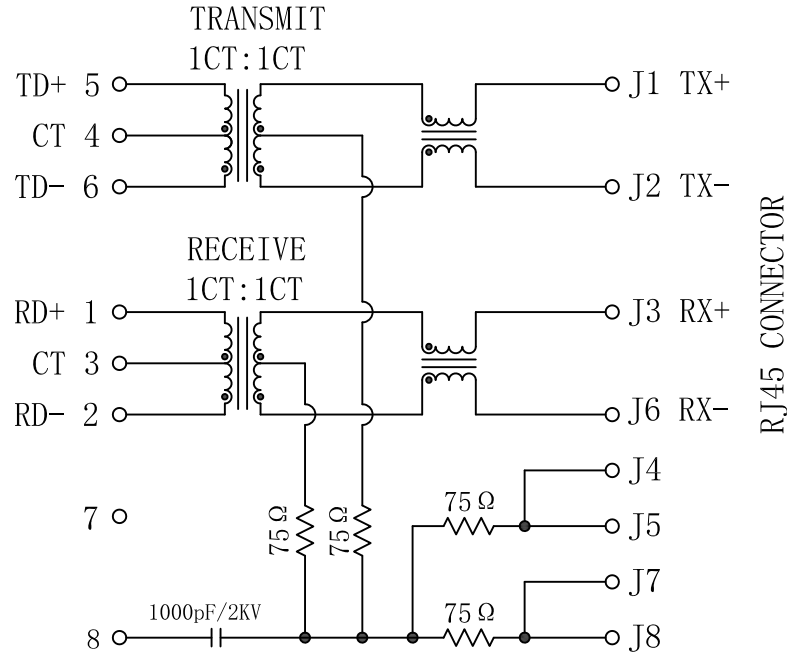


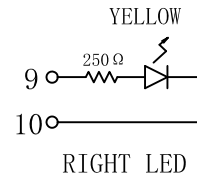
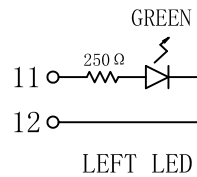
Schematic:

REV.	ECN NO.	DESCRIPTION	DATE	APPD
A	REL		2014-07-22	

PC BOARD CONNECTIONS



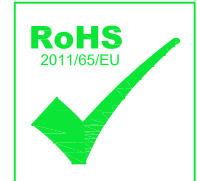
RJ45 CONNECTOR



Emitting Color	λ_p (nm)	V _F @I _F =20mA	I _R @V _R =5V
GREEN	565	1.8~2.4V	10 μ A max
YELLOW	585	1.8~2.4V	10 μ A max

Electrical Specifications @25°C

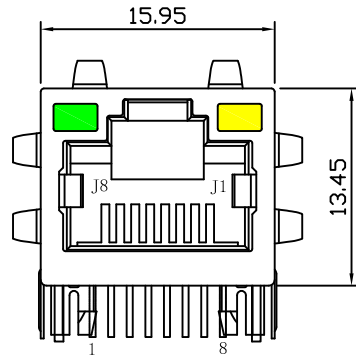
- Turns Ratio ($\pm 2\%$) :
TX=1CT:1CT RX=1CT:1CT
- Primary Inductance(1-2, 5-6): 350uH Min
@100KHz, 0.1Vrms, 8mA DC bias
- Insertion Loss:
0.5-100MHz: -1.1dB Max
- Return Loss(dB Min) :
0.5-30MHz:-18;
30. 1-60MHz:-18-20LOG(f/30)
60. 1-80MHz:-12
- Crosstalk(dB Min) :
0.5-40MHz: -35
40. 1-100MHz: -33-20LOG(f/50)
- Common Mode Rejection Ratio:
0.5-100MHz: -30dB Min
- Hipot Test: 1500Vrms
- Operating Temperature: 0°C ~70°C.



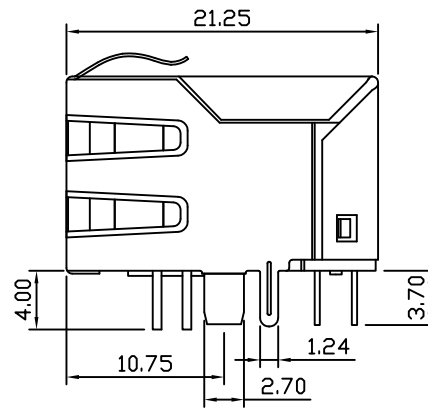
X:X	± 0.30	APPD:	LINK-PP INT'L TECHNOLOGY CO., LIMITED	
X:XX	± 0.25	CHKD:	TITLE: RJ45 Connector with 10/100 Base-T Integrated Magnetics	
X:XXX	± 0.05	DR: TOM	PART NO. : LPJ16264A28NL	
ANGLES	$\pm 1^\circ$	UNIT: mm	DWG NO. : LP14072230	
		SCALE: 2/1	SHEET: 1/2	REV: A

Mechanical:

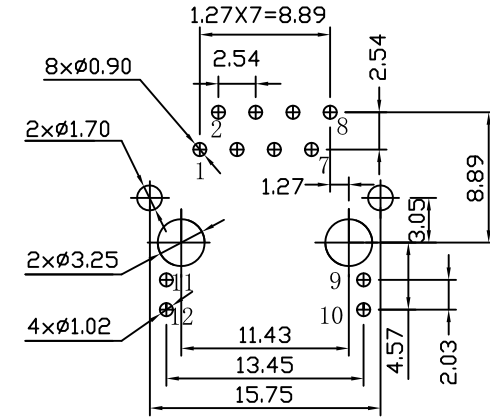
REV.	ECN NO.	DESCRIPTION	DATE	APPD
A	REL		2014-07-22	



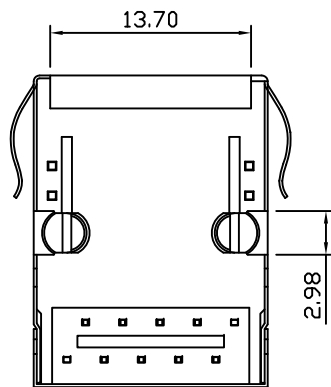
Front Side View



Left Side View



Suggested PCB Layout (Top View)



Bottom Side View



Top Side View

NOTES:

1. Designed to support application, such as SOHO (ADSL modems), LAN-on-Motherboard (LOM), hub and Switches.
2. Meets IEEE 802.3 specification
3. Connector Materials:
 Housing: Thermoplastic PBT+30%G.F UL94V-0
 Contact: Phosphor Bronze C5210R-EH Thickness=0.35mm
 Pins: Brass C2680R-H Thickness=0.35mm
 Shield: SUS 201-1/2H Thickness=0.2mm
 Contact plating: Gold 6 micro-inches min. In contact area.
4. Wave solder tip temperature: 265°C Max, 5 Sec Max.
5. UL Certification: File Number E484635.

X:X ±0.30	APPD:	LINK-PP INT'L TECHNOLOGY CO., LIMITED
X:XX ±0.25	CHKD:	
X:XXX ±0.05	DR: TOM	TITLE: RJ45 Connector with 10/100 Base-T Integrated Magnetics
ANGLES ±1°	UNIT: mm	PART NO.: LPJ16264A28NL
	SCALE: 2/1	SHEET: 2/2
	REV: A	DWG NO.: LP14072230