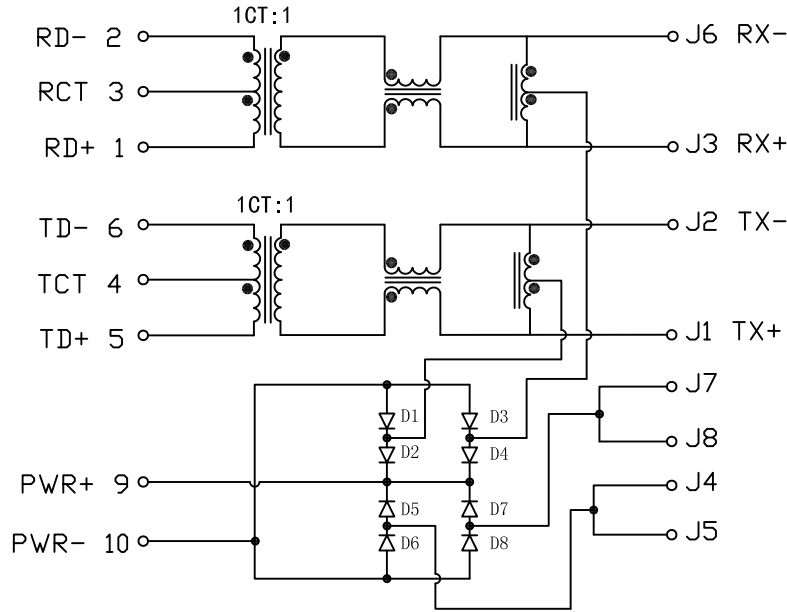


# Schematic:

REV.	ECN NO.	DESCRIPTION	DATE	APPD
A	REL		2011-03-05	

PC BOARD CONNECTIONS



RJ45 CONNECTOR

## Electrical Specifications @25°C

IMPEDANCE: 100 OHMS

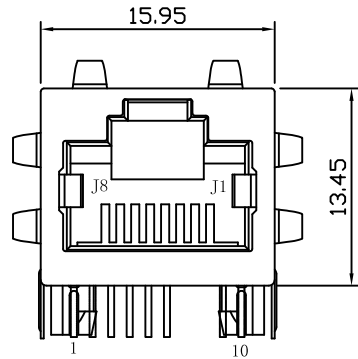
- Turns Ratio ( $\pm 2\%$ ) :  
TX=1CT : 1      RX=1CT : 1
- Inductance OCL: 350uH Min  
@100KHz, 0.1Vrms, 8mADC Bias
- Insertion Loss:  
0.5-100MHz:-1.1dB Max
- Return Loss(dB Min):  
1-30MHz:-18;      40MHz:-16  
50MHz:-14;      60-80MHz:-12
- Crosstalk(dB Min):  
0.3-80MHz:-30
- Common Mode Rejection Ratio(CMRR):  
0.5-100MHz:-30dB Min
- Isolation Voltage: 1500Vrms
- PoE current 350mADC MAX
- Rectifier Diode Spec:  
Forward Voltage, VF=1.0V Max @ If=1A  
Forward Current, If=1A  
Reverse Voltage, VR=80V Max
- Operating Temperature: 0°C ~ 70°C.



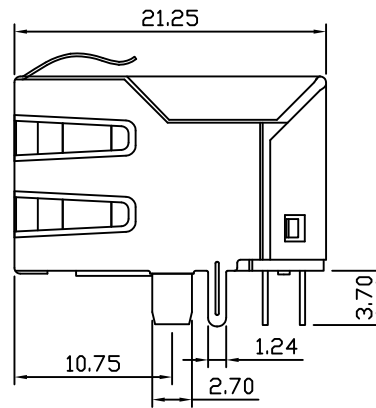
X:X	$\pm 0.30$	APPD:	LINK-PP INT'L TECHNOLOGY CO., LIMITED	
X:XX	$\pm 0.25$	CHKD:	TITLE: RJ45 Connector With 10 /100 Base-TX Integrated Magnetic For PoE Application	
X:XXX	$\pm 0.05$	DR: TOM	PART NO. : LPJ16249CNL	
ANGLES	$\pm 1^\circ$	UNIT: mm	DWG NO. : LP11030526	
	SCALE: 2/1	SHEET: 1/2	REV: A	

# Mechanical:

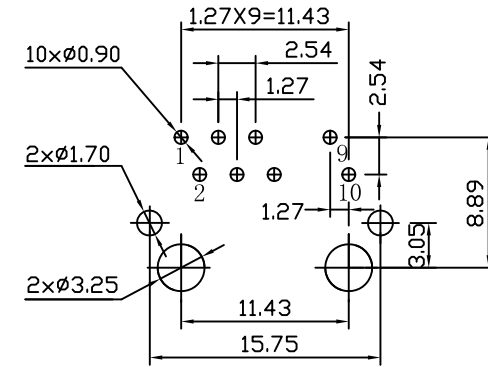
REV.	ECN NO.	DESCRIPTION	DATE	APPD
A	REL		2011-03-05	



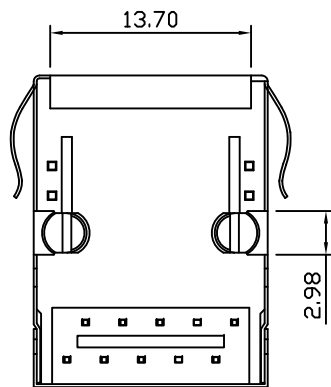
Front Side View



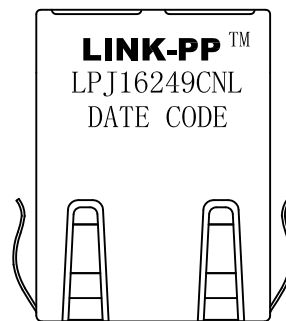
Left Side View



Suggested PCB Layout (Top View)



Bottom Side View



Top Side View

## NOTES:

1. Designed to support application, such as SOHO (ADSL modems), LAN-on-Motherboard (LOM), hub and Switches.
2. Meets IEEE 802.3af specification
3. Connector Materials:  
 Housing: Thermoplastic PBT+30%G.F UL94V-0  
 Contact: Phosphor Bronze C5210R-EH Thickness=0.35mm  
 Pins: Brass C2680R-H Thickness=0.35mm  
 Shield: SUS 201-1/2H Thickness=0.2mm  
 Contact plating: Gold 6 micro-inches min. In contact area.
4. Wave solder tip temperature: 265°C Max, 5 Sec Max.

X:X	±0.30	APPD:	LINK-PP INT'L TECHNOLOGY CO., LIMITED	
X:XX	±0.25	CHKD:	TITLE: RJ45 Connector With 10 /100 Base-TX Integrated Magnetic For PoE Application	
X:XXX	±0.05	DR: TOM	PART NO.: LPJ16249CNL	
ANGLES	±1°	UNIT: mm	DWG NO.: LP11030526	
	SCALE: 2/1	SHEET: 2/2	REV: A	