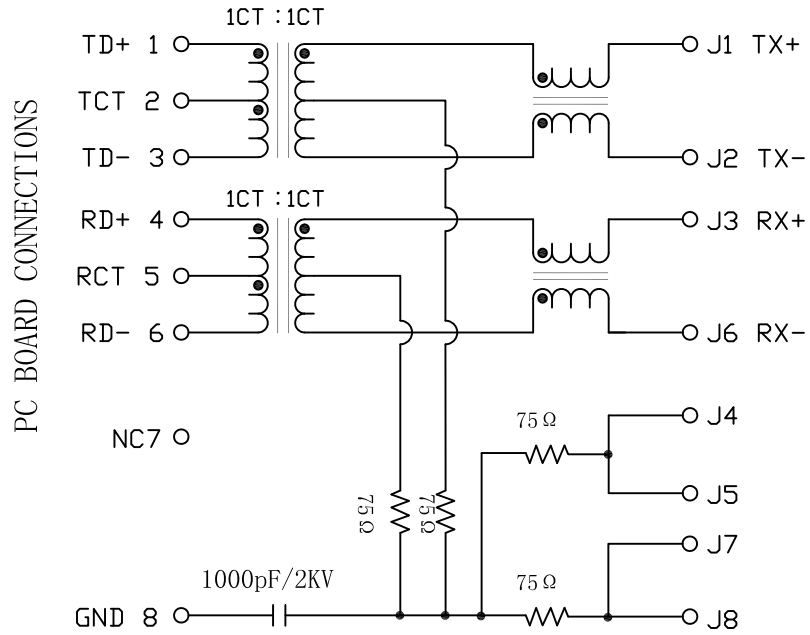


Schematic:

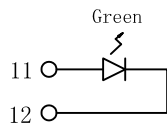
REV.	ECN NO.	DESCRIPTION	DATE	APPD
A	REL		2011-01-05	



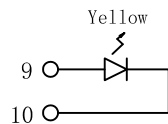
RJ45 CONNECTOR

Electrical Specifications @25°C

- Turns Ratio ($\pm 2\%$) :
TX=1CT:1CT RX=1CT:1CT
- Primary Inductance (P1-P3, P4-P6): 350uH Min
@100KHz, 0.1Vrms, 8mA DC bias
- Insertion Loss:
1-100MHz: -1.0dB Max
- Return Loss (dB Min, 100 Ω) :
1-30MHz: -16;
30-60MHz: -16-20log(f/30MHz);
60-80MHz: -10
- Crosstalk (dB Min) :
1-60MHz: -40;
60-100MHz: -38
- Common Mode Rejection (dB Min) :
30MHz: -35; 60MHz: -32;
100MHz: -30
- Hipot Test: 1500Vrms
- Operating Temperature: 0°C ~ 70°C.



Left LED



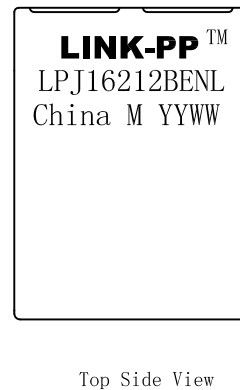
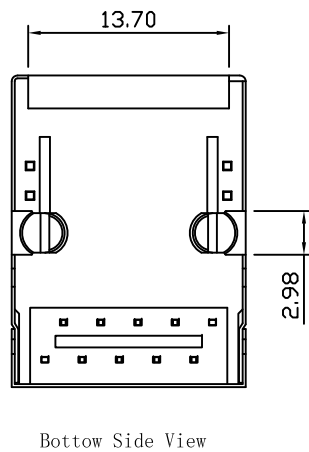
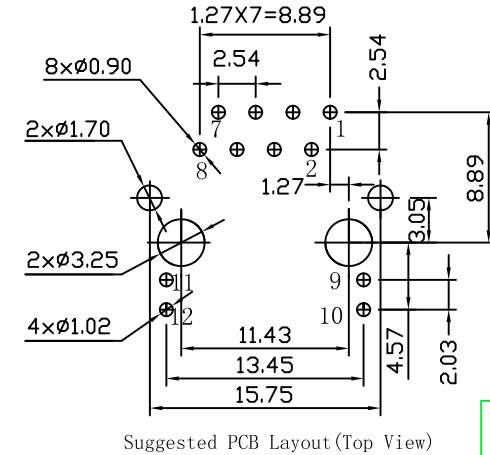
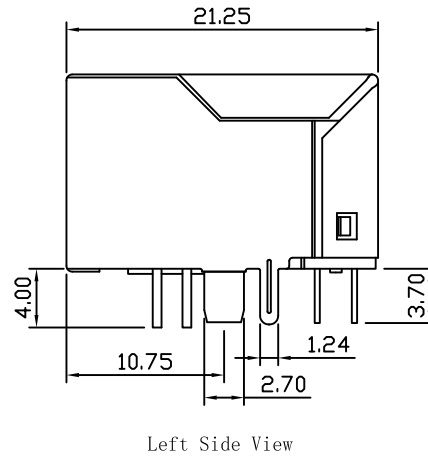
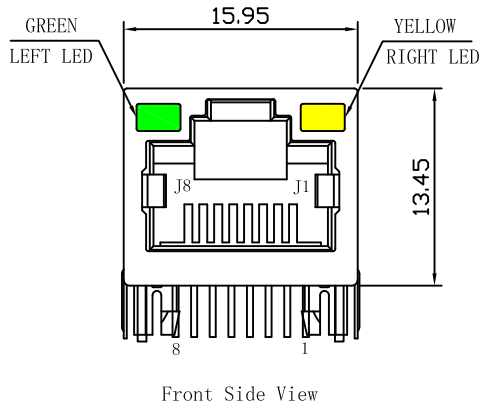
Right LED

Emitting Color	λ p(nm)	VF@IF=20mA	IR @VR=5V
Green	570	1.8~2.6V	10 μ A max
Yellow	585	1.8~2.6V	10 μ A max

X:X	± 0.30	APPD:	LINK-PP INT'L TECHNOLOGY CO., LIMITED	
X:XX	± 0.25	CHKD:	TITLE: RJ45 Connector with 10/100 Base-T Integrated Magnetics	
X:XXX	± 0.05	DR: TOM	PART NO.: LPJ16212BENL	
ANGLES	$\pm 1^\circ$	UNIT: mm	DWG NO.: LP11010523	
	SCALE: 2/1	SHEET: 1/2	REV: A	

Mechanical:

REV.	ECN NO.	DESCRIPTION	DATE	APPD
A	REL		2011-01-05	



NOTES:

1. Designed to support application, such as SOHO (ADSL modems), LAN-on-Motherboard (LOM), hub and Switches.
2. Meets IEEE 802.3 specification
3. Connector Materials:
 Housing: Thermoplastic PBT+30%G.F UL94V-0
 Contact: Phosphor Bronze C5210R-EH Thickness=0.35mm
 Pins: Brass C2680R-H Thickness=0.35mm
 Shield: SUS 201-1/2H Thickness=0.2mm
 Contact plating: Gold 6 micro-inches min. In contact area.
4. Wave solder tip temperature: 265°C Max, 5 Sec Max.

X:X ±0.30	APPD:	LINK-PP INT'L TECHNOLOGY CO., LIMITED		
X:XX ±0.25	CHKD:	TITLE: RJ45 Connector with 10/100 Base-T Integrated Magnetics		
X:XXX ±0.05	DR: TOM	PART NO.: LPJ16212BENL		
ANGLES ±1°	UNIT: mm	DWG NO.: LP11010523		
	SCALE: 2/1	SHEET: 1/2	REV: A	