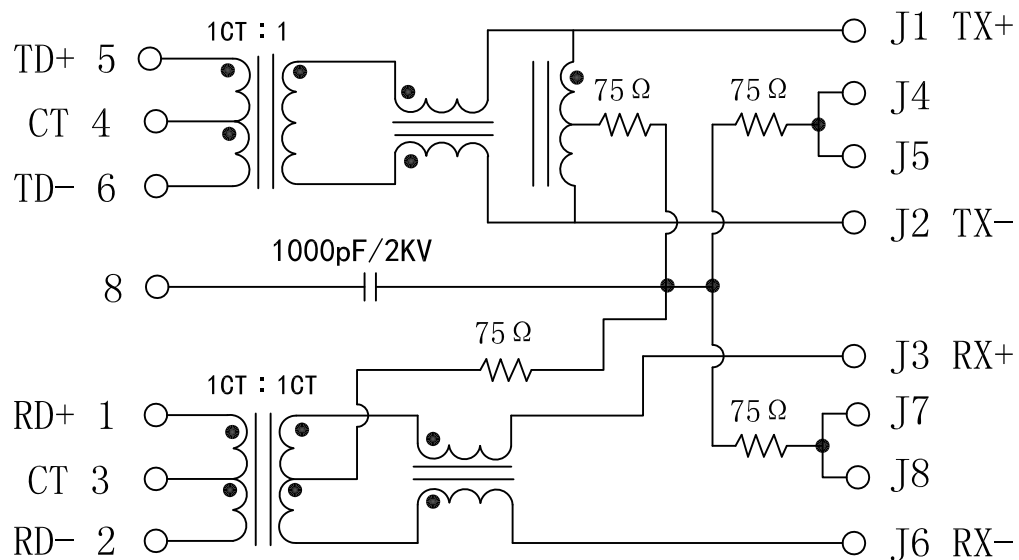


Schematic:

REV.	ECN NO.	DESCRIPTION	DATE	APPD
A	REL			

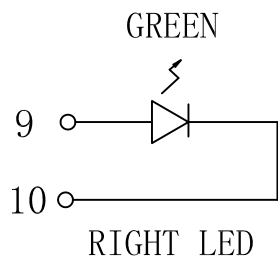
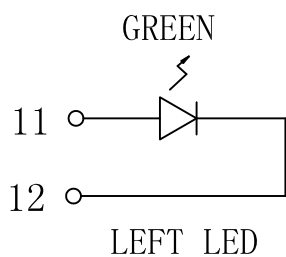
LAN CHIP SIDE



RJ CABLE SIDE

Electrical Specifications @25°C

- Turns Ratio ($\pm 2\%$) :
TX=1CT:1 RX=1CT:1CT
- Primary Inductance(1-2, 5-6):
350uH min @100KHz, 0.1Vrms, 8mA DC bias
- Insertion Loss:
1-100MHz: -1.0dB Max
- Return Loss(dB Min):
1-30MHz:-20; 30-60MHz:-16
60-80MHz:-12
- Crosstalk: 1-100MHz: -30dB Min
- Common Mode Rejection:
1-100MHz: -30dB Min
- Hipot Test: 1500Vrms
- Operating Temperature: 0°C~70°C.



X:X	± 0.20	APPD:	LINK-PP INT'L TECHNOLOGY CO., LIMITED	
X:XX	± 0.10	CHKD:	TITLE: RJ45 Connector With 10/100 Base-TX Integrated Magnetic TAB-UP	
X:XXX	± 0.05	DR: TOM	PART NO.: LPJ16206AFNL	
ANGLES	$\pm 1^\circ$	UNIT: mm		
	SCALE: 2/1	SHEET: 1/2	REV: A	DWG NO: LP13112501

