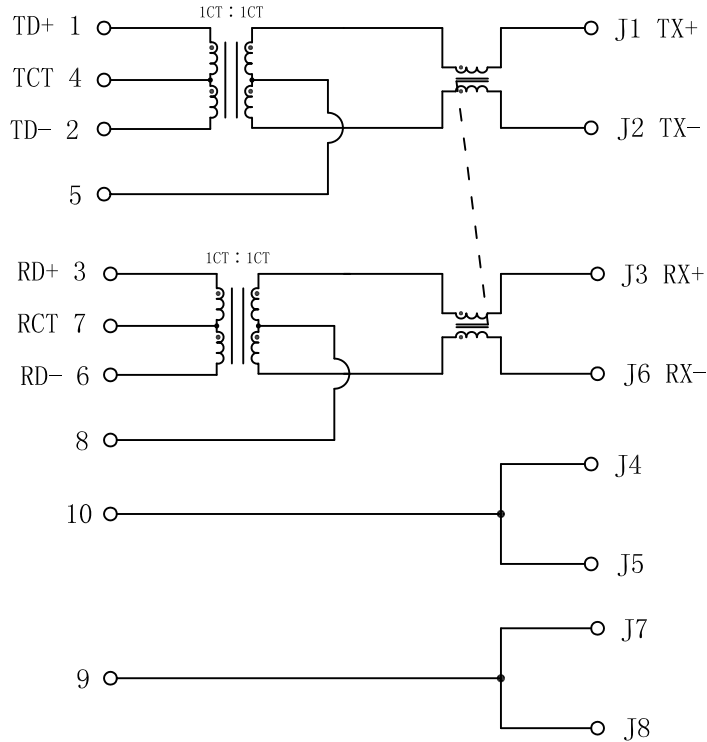


Schematic:

REV.	ECN NO.	DESCRIPTION	DATE	APPD
A	REL		2013/10/16	

PC BOARD CONNECTIONS



RJ45 CONNECTOR

Electrical Specifications @25°C

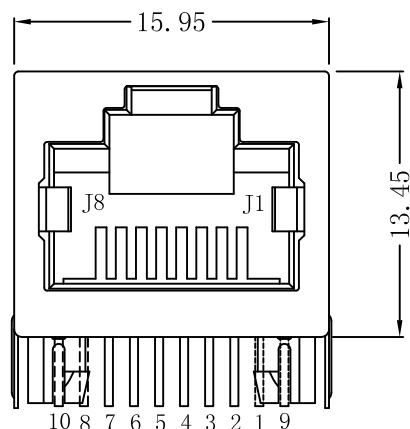
1. OCL: 350uH Min
@100KHz, 100mV, 8mA
2. Turns Ratio ($\pm 3\%$):
TX=1CT : 1CT RX=1CT : 1CT
3. Insertion Loss:
1-100MHz:-1.2dB Max
4. Return Loss(dB Min):
1-30MHz:-16 40MHz:-14
50MHz:-13 60-80MHz:-12
5. Crosstalk(dB Min):
30MHz:-43 60MHz:-37
100MHz:-33
6. Differential to Common Mode Rejection(dB Min):
30MHz:-50 60MHz:-43
100MHz:-35
7. Hipot (Pri to Sec): 1500Vrms
8. Operating Temperature: 0°C~70°C.
9. PoE applications current capability: 350mA.



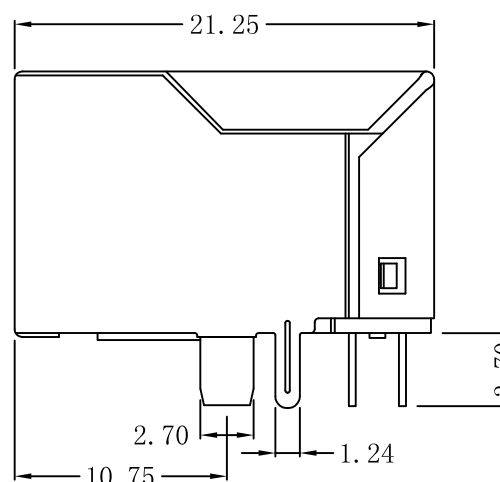
X:X	± 0.30	APPD:	LINK-PP INT'L TECHNOLOGY CO., LIMITED	
X:XX	± 0.25	CHKD:	TITLE: RJ45 Connector With 10/100 Base-TX Integrated Magnetics TAB UP For PoE Application	
X:XXX	± 0.05	DR: TOM	PART NO.: LPJ16204DNL	
ANGLES	$\pm 1^\circ$	UNIT: mm	DWG NO: LP13101652	
	SCALE: 2/1	SHEET: 1/2	REV: A	

Mechanical:

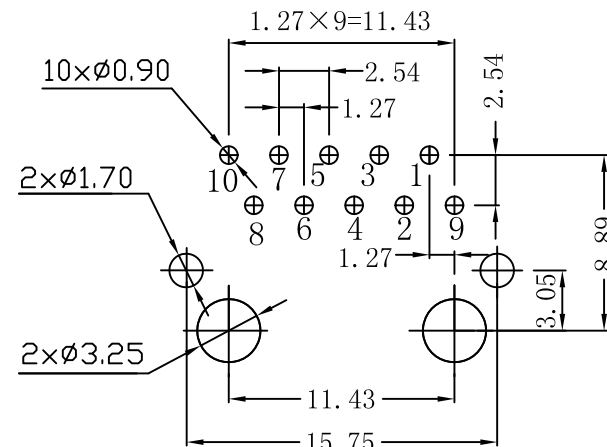
REV.	ECN NO.	DESCRIPTION	DATE	APPD
A	REL		2013/10/16	



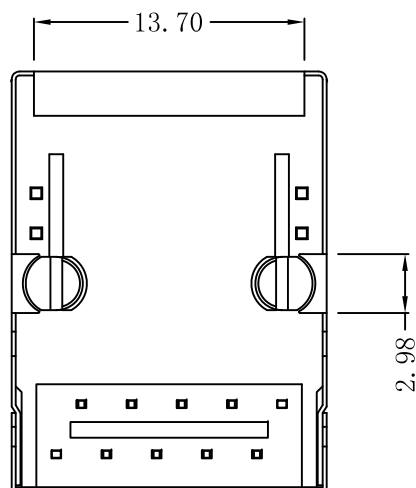
Front Side View



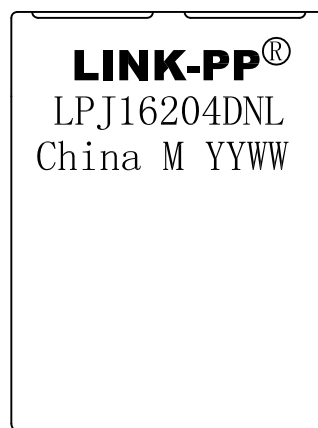
Left Side View



Suggested PCB Layout (Top View)



Bottom Side View



Top Side View

NOTES:

1. Designed to support application, such as SOHO (ADSL modems), LAN-on-Motherboard (LOM), hub and Switches.
2. Meets IEEE 802.3af specification
3. Connector Materials:
 Housing: Thermoplastic PBT+30%G.F UL94V-0
 Contact: Phosphor Bronze C5210R-EH Thickness=0.35mm
 Pins: Brass C2680R-H Thickness=0.35mm
 Shield: SUS 201-1/2H Thickness=0.2mm
 Contact plating: Gold 6 micro-inches min. In contact area.
4. Wave solder tip temperature: 250°C, 5 Sec.
5. UL Certification: File Number E484635.

X:X	±0.30	APPD:	LINK-PP INT'L TECHNOLOGY CO., LIMITED
X:XX	±0.25	CHKD:	
X:XXX	±0.05	DR: TOM	TITLE: RJ45 Connector With 10/100 Base-TX Integrated Magnetics TAB UP For PoE Application
ANGLES	±1°	UNIT: mm	PART NO.: LPJ16204DNL
	SCALE: 2/1	SHEET: 2/2	REV: A DWG NO: LP13101652