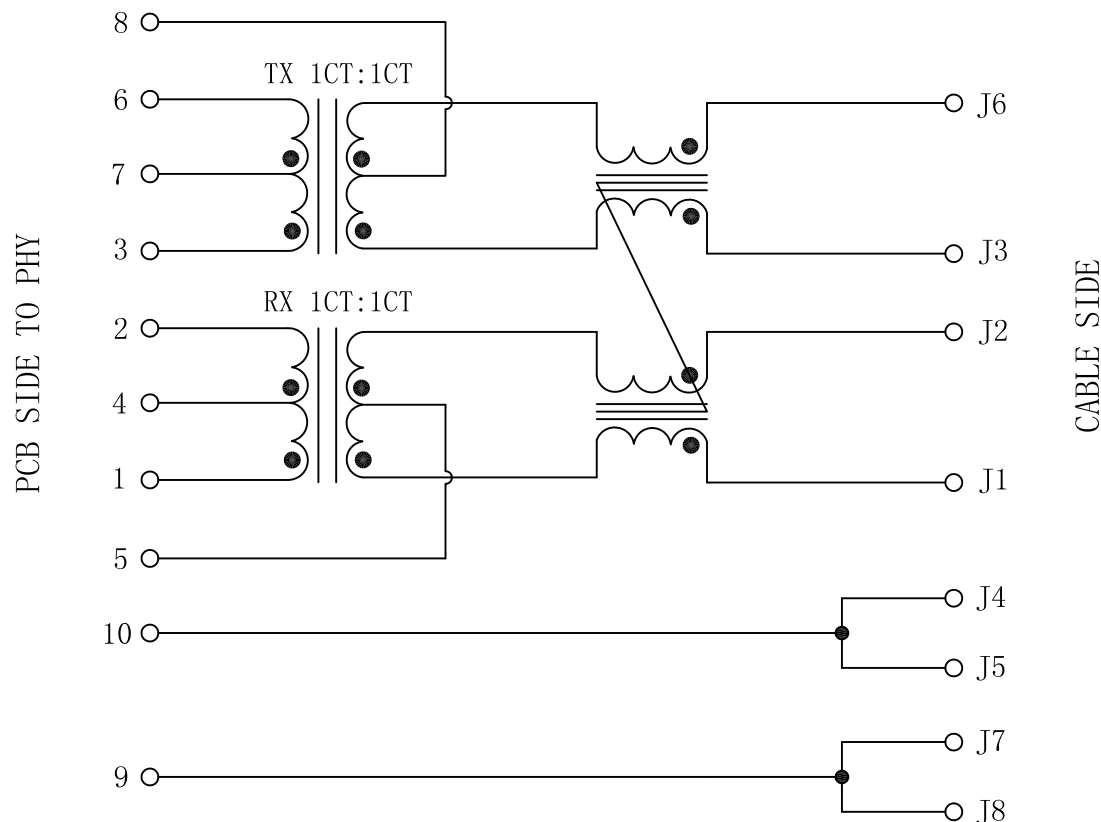
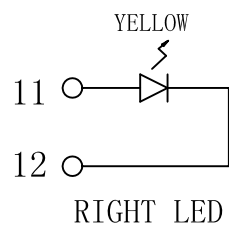
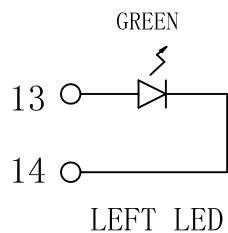


# Schematic :

REV.	ECN NO.	DESCRIPTION	DATE	APPD
A	REL		08/11/2008	



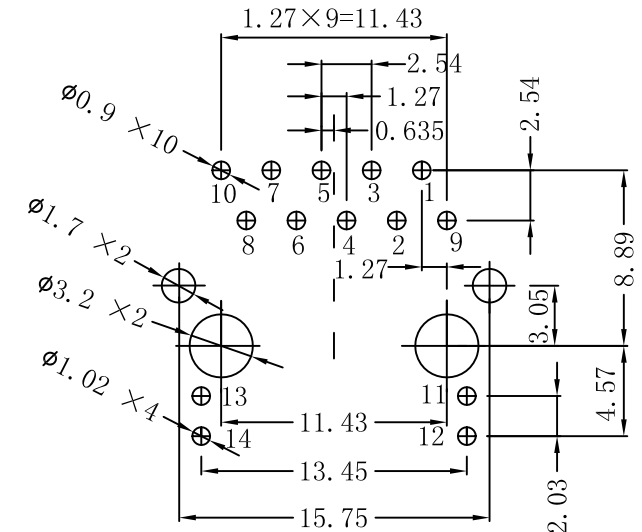
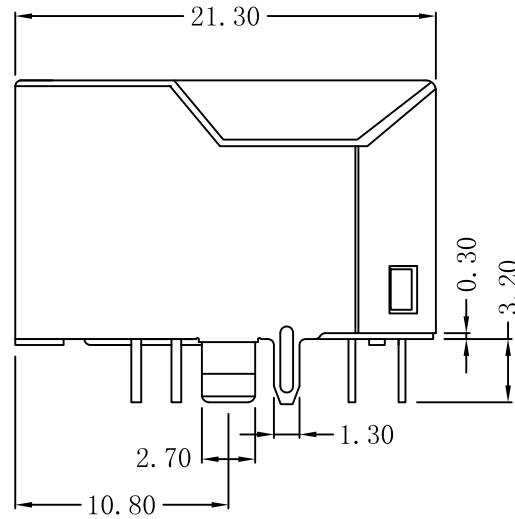
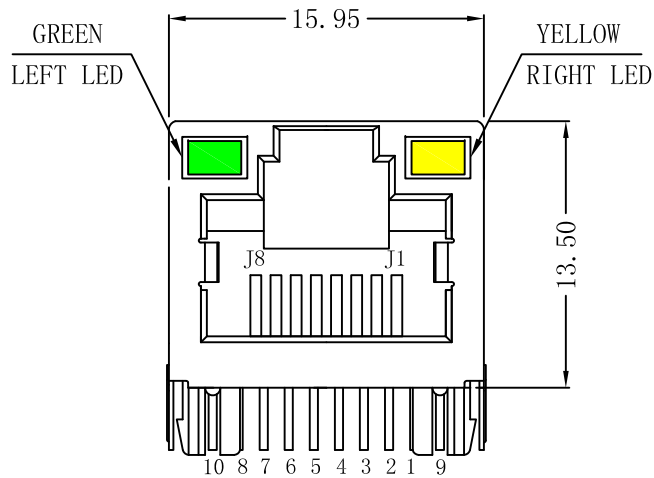
- Electrical Specifications @25°C
- Turns Ratio ( $\pm 2\%$ ):  
TX=1CT : 1CT      RX=1CT : 1CT
  - Inductance OCL: 350uH Min  
@100KHz, 100mV, 8mA DC bias current
  - Insertion Loss:  
0.3-65MHz:-1.2dB Max
  - Return Loss:  
1-30MHz:-18dB Min  
40MHz:-16dB Min  
50MHz:-14dB Min  
60-80MHz:-12dB Min
  - Crosstalk:  
0.3-80MHz:-30dB Min
  - Isolation Voltage: 1500Vrms
  - Operating Temperature: 0°C ~ 70°C



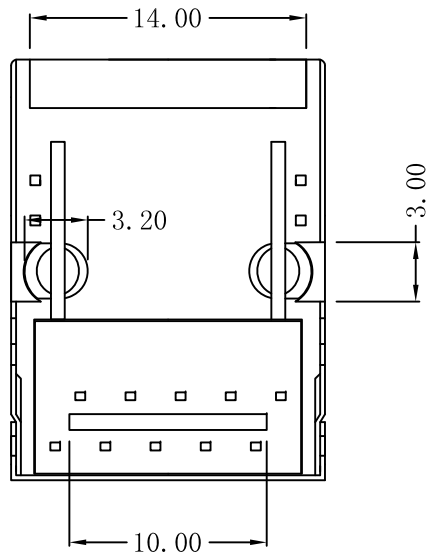
X:X	$\pm 0.20$	APPD:	LINK-PP INT'L TECHNOLOGY CO., LIMITED
X:XX	$\pm 0.10$	CHKD:	
X:XXX	$\pm 0.05$	DR: TOM	TITLE.: RJ45 Connector With 10/100 Base-TX Integrated Magnetic TAB-UP
ANGLES	$\pm 1^\circ$	UNIT: mm	PART NO.: LPJ16204BENL
	SCALE: 2/1	SHEET: 1/2	REV: A      DWG NO: LP08111019

# Mechanical :

REV.	ECN NO.	DESCRIPTION	DATE	APPD
A	REL		10/11/2008	



SUGGESTED PCB LAYOUT(TOP VIEW)



## NOTES:

1. Designed to support application, such as SOHO (ADSL modems), LAN-on-Motherboard (LOM), hub and Switches.
2. Meets IEEE 802.3 specification
3. Connector Materials:  
 Housing: Thermoplastic UL94V-0  
 Contact/Shield: Copper alloy  
 Shield plating: Nickel  
 Contact plating: Gold 6 micro-inches min. In contact area.
4. Wave solder tip temperature: 265°C Max  
 Wave solder tip temperature time: 5 Sec Max



X:X	±0.20	APPD:	LINK-PP INT'L TECHNOLOGY CO., LIMITED	
X:XX	±0.10	CHKD:	TITLE: RJ45 Connector With 10/100 Base-TX Integrated Magnetic TAB-UP	
X:XXX	±0.05	DR: TOM	PART NO.: LPJ16204BENL	
ANGLES	±1°	UNIT: mm		
	SCALE: 2/1	SHEET: 2/2	REV: A	DWG NO: LP08111019