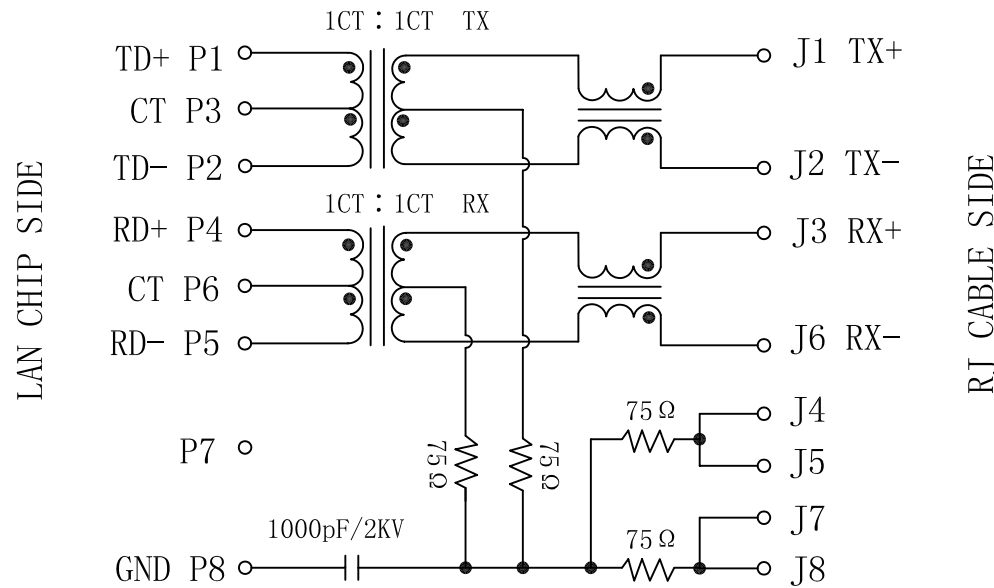


Schematic :

REV.	ECN NO.	DESCRIPTION	DATE	APPD
A	REL		2010/11/10	



Electrical Specification @25°C

- Turns Ratio ($\pm 2\%$) :
TX=1CT : 1CT RX=1CT : 1CT
- Inductance OCL: 350uH Min
@100KHz 0.1Vrms 8mA DC bias current
- Insertion Loss:
0.1-100MHz:-1.0dB Max
- Return Loss(dB Min):
1-30MHz:-18 40MHz:-16
50MHz:-14 60-80MHz:-12
- Crosstalk:
0.3-80MHz:-30dB Min
- Isolation Voltage: 1500Vrms
- Operating Temperature: $-40^{\circ}\text{C} \sim +85^{\circ}\text{C}$.



X:X	± 0.20	APPD:	LINK-PP INT'L TECHNOLOGY CO., LIMITED	
X:XX	± 0.10	CHKD:	Title: RJ45 Connector With 10/100 Base-TX Integrated Magnetic TAB-UP	
X:XXX	± 0.05	DR: TOM		
ANGLES	$\pm 1^{\circ}$	UNIT: mm	PART NO. : LPJ16193DNL	
	SCALE: 2/1	SHEET: 1/2	REV: A	DWG NO: LP1011008

