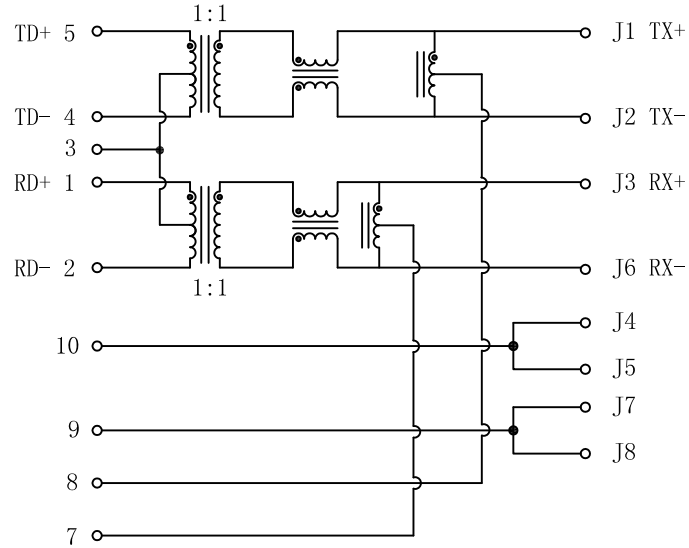


Schematic:

REV.	ECN NO.	DESCRIPTION	DATE	APPD
A	REL		2014-07-22	

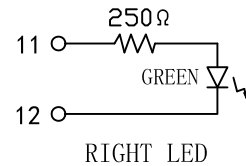
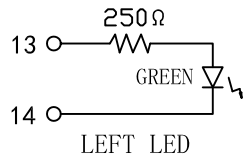
PC BOARD CONNECTIONS



RJ45 CONNECTOR

Electrical Specifications @25°C

- Turns Ratio ($\pm 2\%$) :
TX=1CT:1CT RX=1CT:1CT
- Primary Inductance (5-4, 1-2) : 350uH Min
@100KHz, 0.1Vrms, 8mA DC bias
- Insertion Loss:
1-65MHz: -1.0dB Max
- Return Loss (dB Min) :
1-10MHz: -20; 10-30MHz: -16
30-60MHz: -12; 60-100MHz: -10
- Crosstalk (dB Min) :
1-30MHz: -40; 30-60MHz: -35
60-100MHz: -30
- Common Mode Rejection (dB Min) :
1-50MHz: -30; 50-150MHz: -20
- Hipot Test: 1500Vrms
- Operating Temperature: 0°C ~ 70°C.

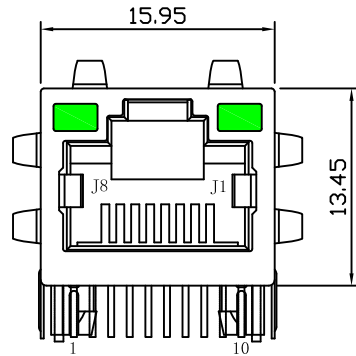


Emitting Color	λ_p (nm)	VF@IF=20mA	IR @VR=5V
GREEN	565	1.8~2.6V	10 μ A max

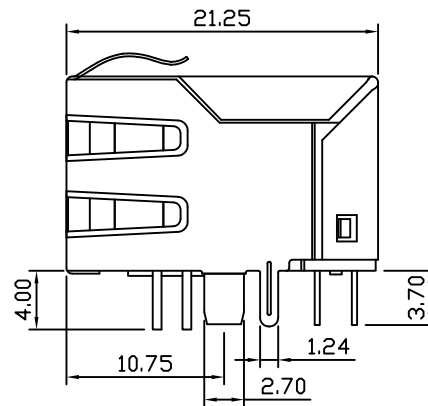
X:X	± 0.30	APPD:	LINK-PP INT'L TECHNOLOGY CO., LIMITED	
X:XX	± 0.25	CHKD:	TITLE: RJ45 Connector with 10/100 Base-T Integrated Magnetics For PoE Application	
X:XXX	± 0.05	DR: TOM	PART NO. : LPJ16175AZNL	
ANGLES	$\pm 1^\circ$	UNIT: mm	DWG NO. : LP14072230	
	SCALE: 2/1	SHEET: 1/2	REV: A	

Mechanical:

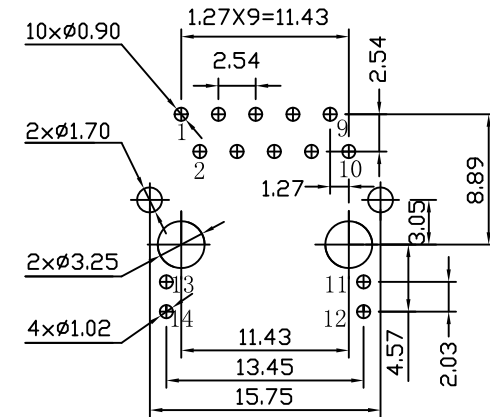
REV.	ECN NO.	DESCRIPTION	DATE	APPD
A	REL		2014-07-22	



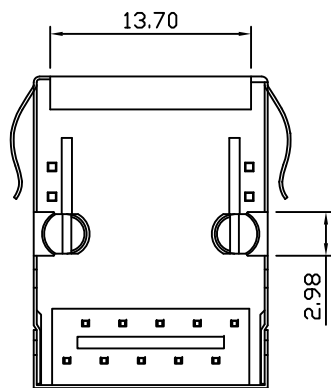
Front Side View



Left Side View



Suggested PCB Layout (Top View)



Bottom Side View



Top Side View

NOTES:

1. Designed to support application, such as SOHO (ADSL modems), LAN-on-Motherboard (LOM), hub and Switches.
2. Meets IEEE 802.3af specification
3. Connector Materials:
 Housing: Thermoplastic PBT+30%G.F UL94V-0
 Contact: Phosphor Bronze C5210R-EH Thickness=0.35mm
 Pins: Brass C2680R-H Thickness=0.35mm
 Shield: SUS 201-1/2H Thickness=0.2mm
 Contact plating: Gold 6 micro-inches min. In contact area.
4. Wave solder tip temperature: 265°C Max, 5 Sec Max.

X:X	±0.30	APPD:	LINK-PP INT'L TECHNOLOGY CO., LIMITED	
X:XX	±0.25	CHKD:	TITLE: RJ45 Connector with 10/100 Base-T Integrated Magnetics For PoE Application	
X:XXX	±0.05	DR: TOM	PART NO.: LPJ16175AZNL	
ANGLES	±1°	UNIT: mm	DWG NO.: LP14072230	
	SCALE: 2/1	SHEET: 2/2	REV: A	