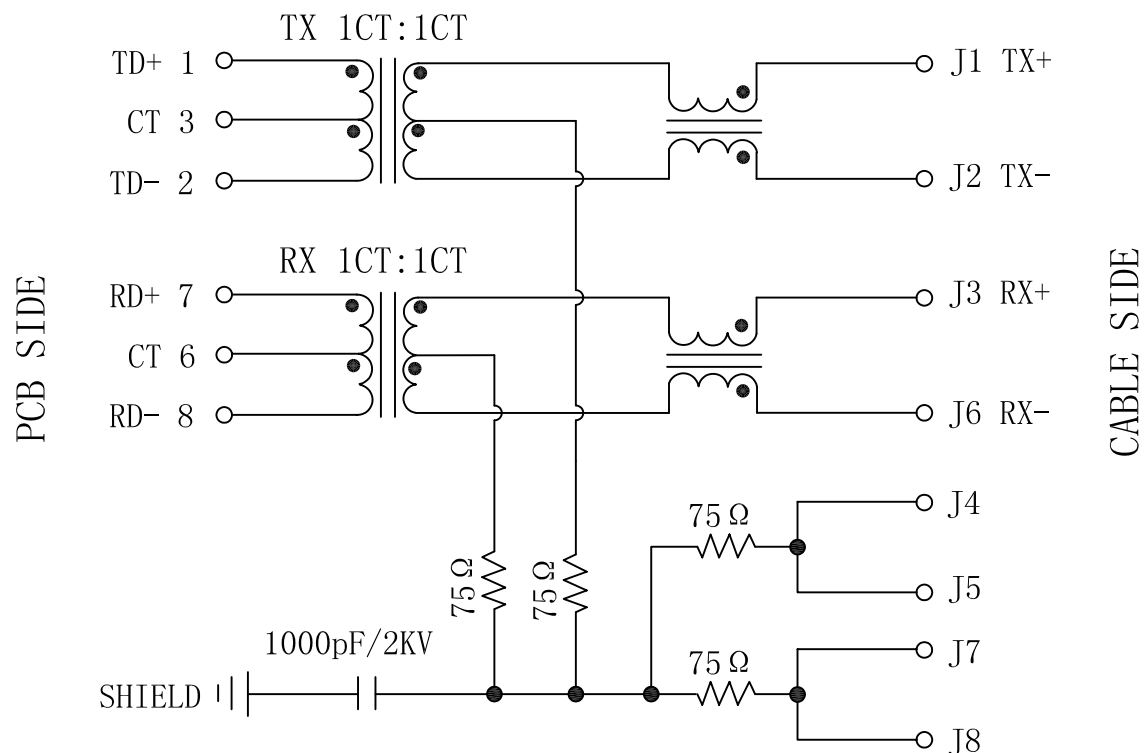


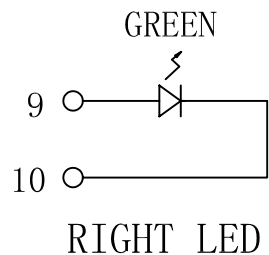
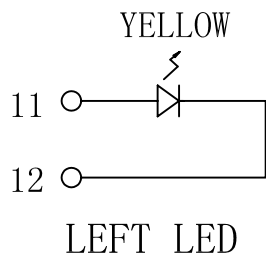
# Schematic:

REV.	ECN NO.	DESCRIPTION	DATE	APPD
A	REL		2012/11/09	



## Electrical Specification @25°C

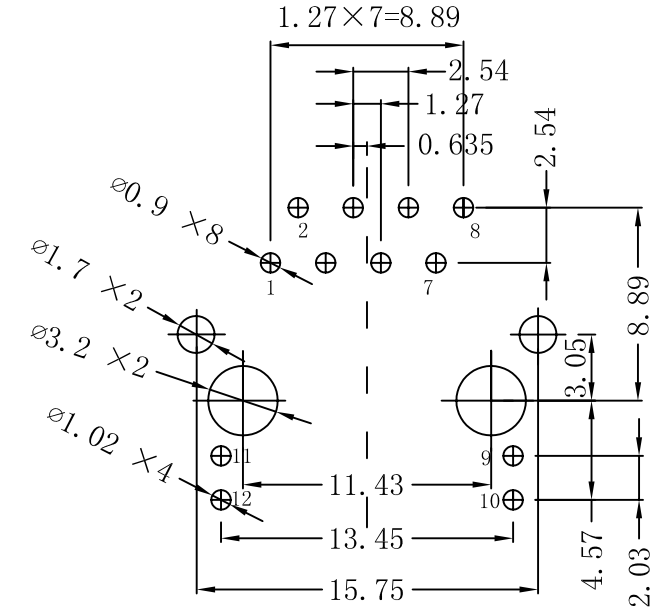
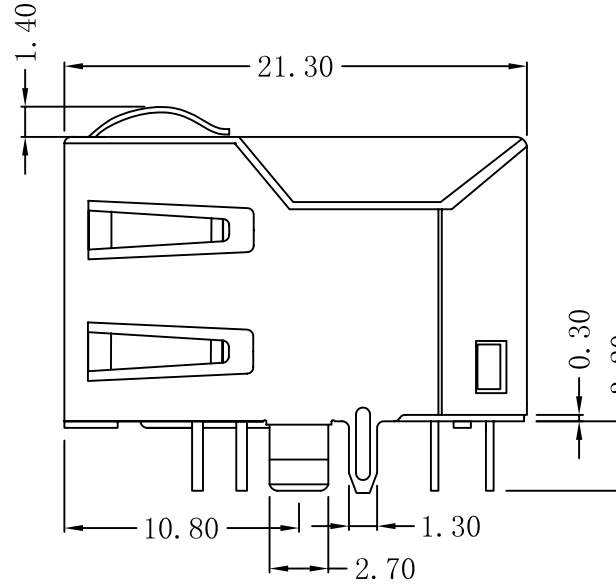
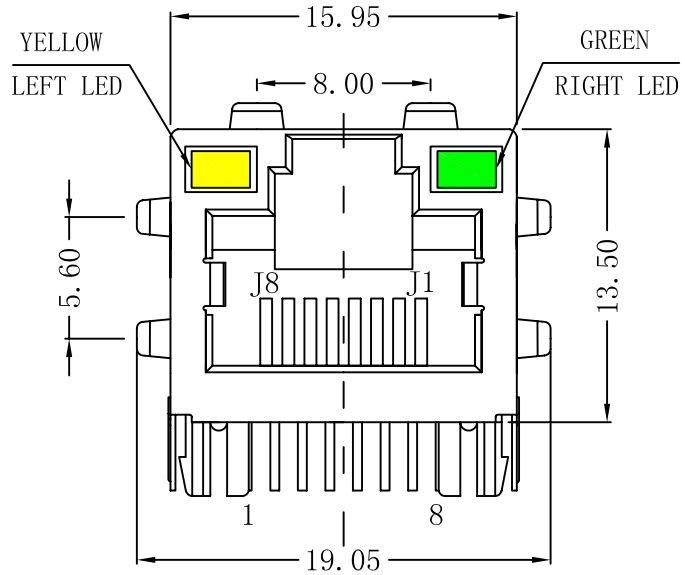
- Turns Ratio ( $\pm 2\%$ ):  
TX=1CT:1CT      RX=1CT:1CT
- Inductance OCL: 350uH Min  
@100KHz 0.1Vrms 8mA DC bias current
- Insertion Loss:  
0.3-65MHz: -1.2dB Max
- Return Loss (dB Min):  
1-30MHz: -18      40MHz: -16  
50MHz: -14      60-80MHz: -12
- Crosstalk:  
0.3-80MHz: -30dB Min
- Common Mode Rejection:  
1-150MHz: -50dB Min
- Isolation Voltage: 1500Vrms
- Operating Temperature: 0°C ~ 70°C.



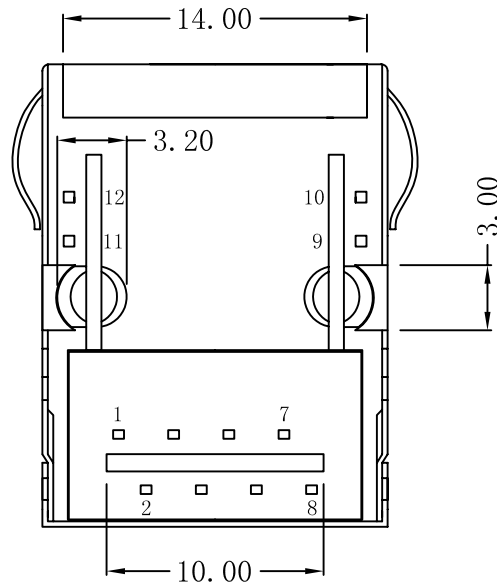
X:X	$\pm 0.25$	APPD:	LINK-PP INT'L TECHNOLOGY CO., LIMITED
X:XX	$\pm 0.10$	CHKD:	
X:XXX	$\pm 0.05$	DR: TOM	TITLE: RJ45 Connector With 10/100 Base-TX Integrated Magnetic TAB-UP
ANGLES	$\pm 1^\circ$	UNIT: mm	PART NO.: LPJ16117ADNL
	SCALE: 2/1	SHEET: 1/2	REV: A      DWG NO: LP12110907

# Mechanical:

REV.	ECN NO.	DESCRIPTION	DATE	APPD
A	REL		2012/11/09	



Suggested PCB Layout (Top View)



## NOTES:

1. Designed to support application, such as SOHO (ADSL modems), LAN-on-Motherboard (LOM), hub and Switches.
2. Meets IEEE 802.3 specification
3. Connector Materials:  
 Housing: Thermoplastic UL94V-0  
 Contact/Shield: Copper alloy  
 Shield plating: Nickel  
 Contact plating: Gold 6 micro-inches min. In contact area.
4. Wave solder tip temperature: 265°C Max  
 Wave solder tip temperature time: 5 Sec Max



X:X	±0.25	APPD:	LINK-PP INT'L TECHNOLOGY CO., LIMITED
X:XX	±0.10	CHKD:	
X:XXX	±0.05	DR: TOM	TITLE: RJ45 Connector With 10/100 Base-TX Integrated Magnetic TAB-UP
ANGLES	±1°	UNIT: mm	PART NO.: LPJ16117ADNL
	SCALE: 2/1	SHEET: 2/2	REV: A DWG NO: LP12110907