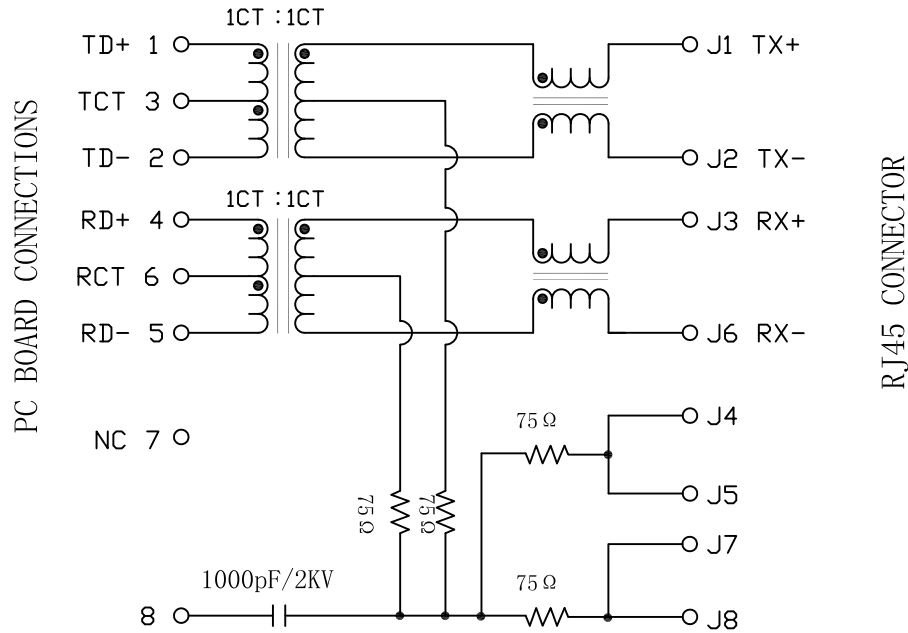


# Schematic:

REV.	ECN NO.	DESCRIPTION	DATE	APPD
A	REL		2011-03-05	



## Electrical Specifications @25°C

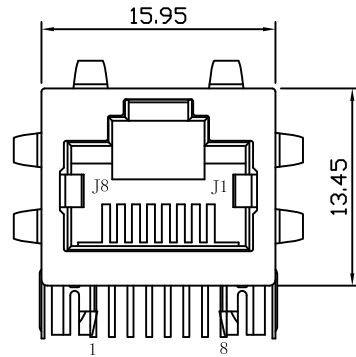
- Turns Ratio:  
TX=1CT : 1CT      RX=1CT : 1CT
- Primary Inductance (P1-P2, P4-P5): 350uH Min  
@100KHz, 0.1Vrms, 8mA DC Bias
- Insertion Loss:  
0.3~100MHz: -1.0dB Max
- Return Loss (dB Min):  
1~30MHz: -20;      30~60MHz: -15  
60~80MHz: -10
- Crosstalk:  
1~100MHz: -30dB Min
- Common to Common Mode Rejection:  
1~100MHz: -30dB Min
- Hipot Test: 1500Vrms
- Operating Temperature: -40°C ~ +85°C.



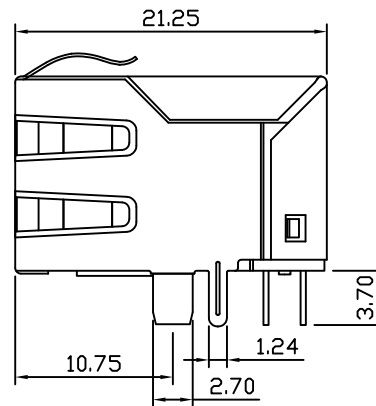
X:X ±0.30	APPD:	LINK-PP INT'L TECHNOLOGY CO., LIMITED
X:XX ±0.25	CHKD:	
X:XXX ±0.05	DR: TOM	TITLE: RJ45 Connector with 10/100 Base-T Integrated Magnetics
ANGLES ±1°	UNIT: mm	PART NO.: LPJ16093CNL
	SCALE: 2/1	SHEET: 1/2
	REV: A	DWG NO.: LP11030525

# Mechanical:

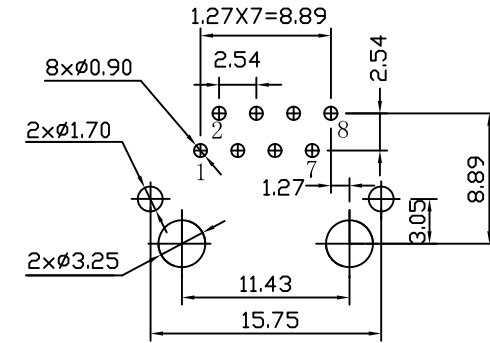
REV.	ECN NO.	DESCRIPTION	DATE	APPD
A	REL		2011-03-05	



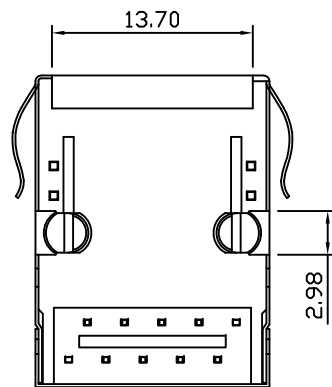
Front Side View



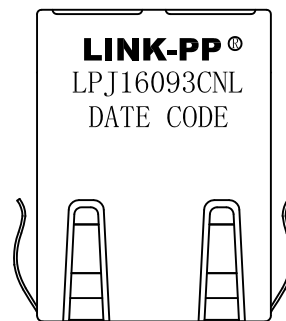
Left Side View



Suggested PCB Layout (Top View)



Bottom Side View



Top Side View

## NOTES:

1. Designed to support application, such as SOHO (ADSL modems), LAN-on-Motherboard (LOM), hub and Switches.
2. Meets IEEE 802.3 specification
3. Connector Materials:  
 Housing: Thermoplastic PBT+30%G.F UL94V-0  
 Contact: Phosphor Bronze C5210R-EH Thickness=0.35mm  
 Pins: Brass C2680R-H Thickness=0.35mm  
 Shield: SUS 201-1/2H Thickness=0.2mm  
 Contact plating: Gold 6 micro-inches min. In contact area.
4. Wave solder tip temperature: 265°C Max, 5 Sec Max.

X:X ±0.30	APPD:	LINK-PP INT'L TECHNOLOGY CO., LIMITED		
X:XX ±0.25	CHKD:	TITLE: RJ45 Connector with 10/100 Base-T Integrated Magnetics		
X:XXX ±0.05	DR: TOM	PART NO.: LPJ16093CNL		
ANGLES ±1°	UNIT: mm			
	SCALE: 2/1	SHEET: 2/2	REV: A	DWG NO.: LP11030525