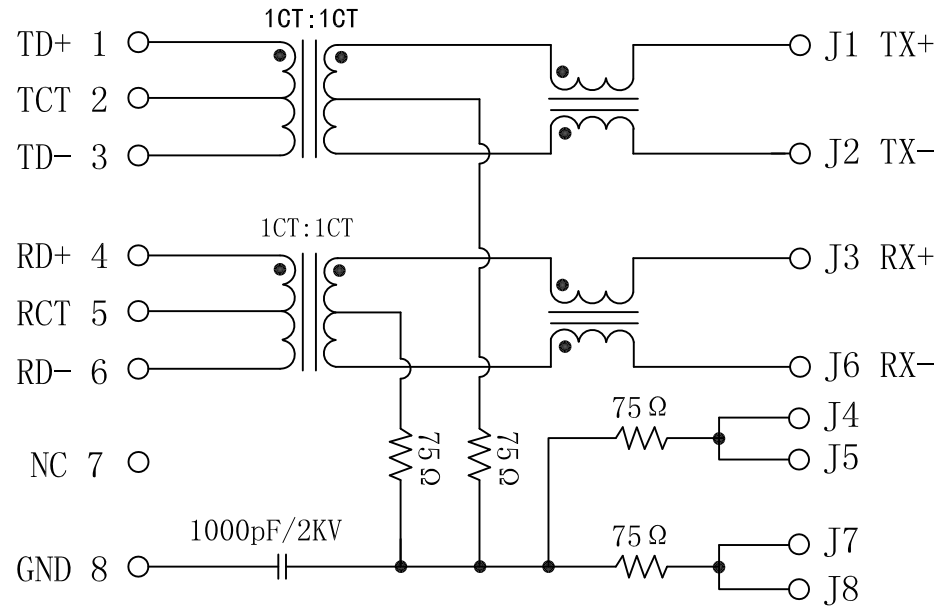


Schematic:

REV.	ECN NO.	DESCRIPTION	DATE	APPD
A	REL		2011/01/05	



Electrical Specifications @25°C

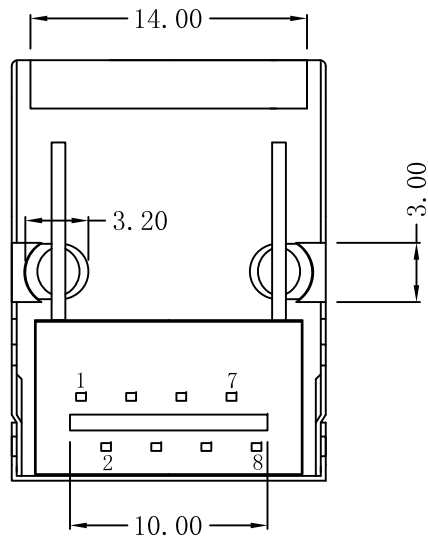
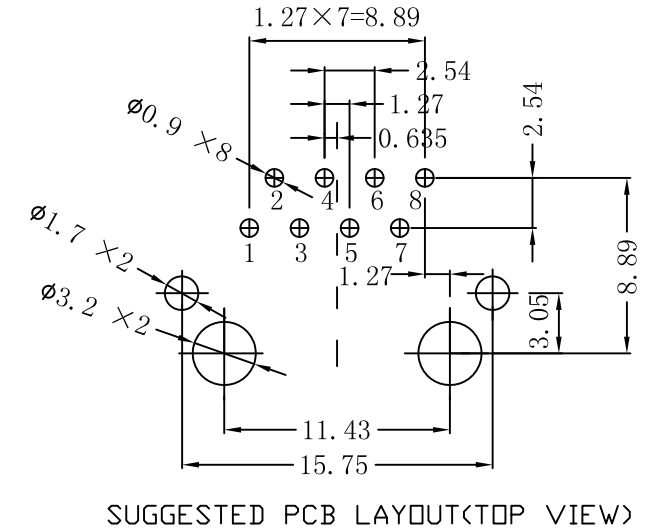
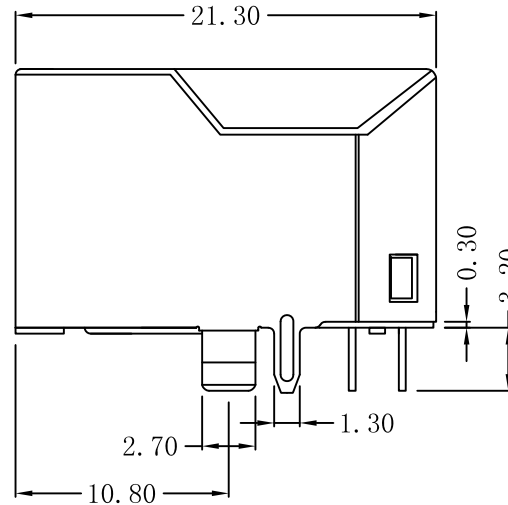
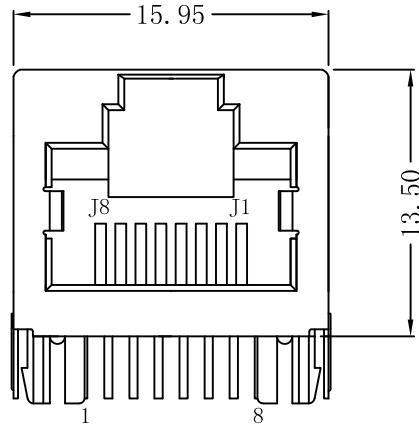
- Turns Ratio:
TX=1CT:1CT RX=1CT:1CT
- Inductance OCL: 350uH min
@100KHz, 100mV, 8mA dc.
- Insertion Loss:
1-100MHz: -1.0dB Max
- Return Loss (dB Min):
1-30MHz: -16
30-60MHz: -16-20 log(f/30MHz)
60-80MHz: -10
- Crosstalk (dB Min):
1-60MHz: -40
60-100MHz: -38
- Isolation Voltage: 1500Vrms
- Operating Temperature: -40°C ~ +85°C.



X:X	±0.20	APPD:	LINK-PP INT'L TECHNOLOGY CO., LIMITED	
X:XX	±0.10	CHKD:		
X:XXX	±0.05	DR: TOM	TITLE: RJ45 Connector With 10/100 Base-TX Integrated Magnetic	
ANGLES	±1°	UNIT: mm	PART NO.: LPJ16012DNL	
	SCALE: 2/1	SHEET: 1/2	REV: A	DWG NO: LP11010518

Mechanical:

REV.	ECN NO.	DESCRIPTION	DATE	APPD
A	REL		2011/01/05	



NOTES:

1. Designed to support application, such as SOHO (ADSL modems), LAN-on-Motherboard (LOM), hub and Switches.
2. Meets IEEE 802.3 specification
3. Connector Materials:
 Housing: Thermoplastic UL94V-0
 Contact/Shield: Copper alloy
 Shield plating: Nickel
 Contact plating: Gold 6 micro-inches min. In contact area.
4. Wave solder tip temperature: 265°C Max
 Wave solder tip temperature time: 5 Sec Max



X:X	±0.20	APPD:	LINK-PP INT'L TECHNOLOGY CO., LIMITED	
X:XX	±0.10	CHKD:		
X:XXX	±0.05	DR: TOM	TITLE: RJ45 Connector With 10/100 Base-TX Integrated Magnetic	
ANGLES	±1°	UNIT: mm	PART NO.: LPJ16012DNL	
	SCALE: 2/1	SHEET: 2/2	REV: A	DWG NO: LP11010518