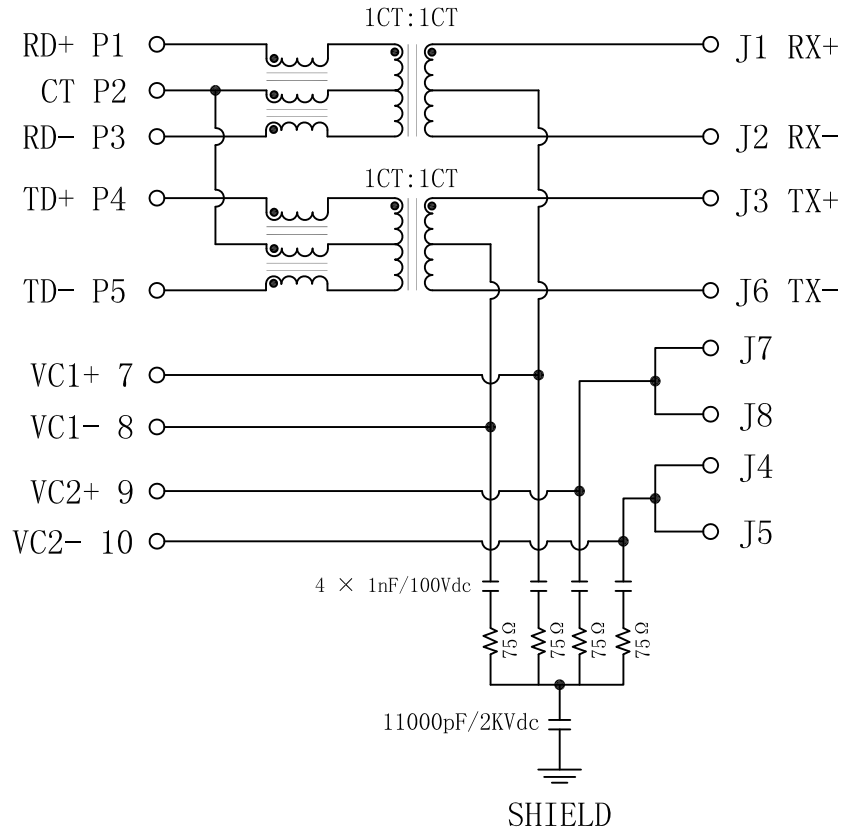


# Schematic:

REV.	ECN NO.	DESCRIPTION	DATE	APPD
A	REL		2014-10-25	

PCB CONNECTIONS



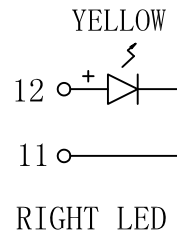
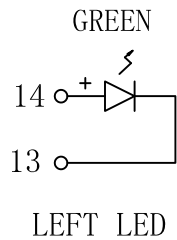
RJ45 CONNECTOR

## Electrical Specification @25°C

- Turns Ratio ( $\pm 2\%$ ) :  
TX=1CT:1CT      RX=1CT:1CT
- OCL (0.1V, 100KHz, 8mA DC Bias):  
350uH Min
- Insertion Loss:  
1~100MHz: -1.5dB Max
- Return Loss:  
1~30MHz: -16dB Min  
60~80MHz: -10dB Min
- Crosstalk:  
1~100MHz: -30dB Min
- CM TO CM REJECTION:  
0.1~100MHz: -30dB Min
- Hipot: 1500Vrms
- Operating Temperature: 0°C ~ 70°C



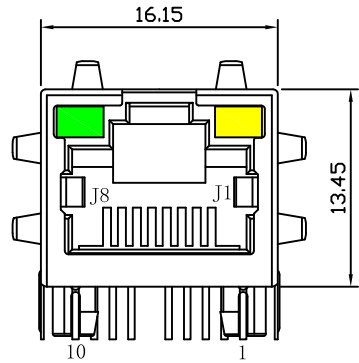
Emitting Color	$\lambda$ p(nm)	VF@IF=20mA	IR @VR=5V
Green	570	1.8~2.6V	10 $\mu$ A max
Yellow	590	1.8~2.6V	10 $\mu$ A max



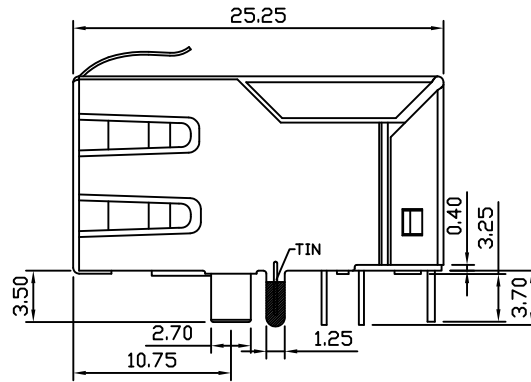
X:X	$\pm 0.30$	APPD:	LINK-PP INT'L TECHNOLOGY CO., LIMITED	
X:XX	$\pm 0.25$	CHKD:	TITLE: RJ45 Connector with 10/100 Base-T Integrated Magnetics For PoE Application	
X:XXX	$\pm 0.05$	DR: TOM	PART NO.: LPJ1253AHNL	
ANGLES	$\pm 1^\circ$	UNIT: mm	DWG NO.: LP14110402	
	SCALE: 2/1	SHEET: 1/2	REV: A	

Mechanical:

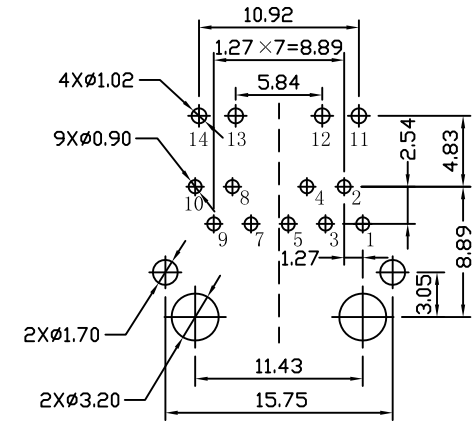
REV.	ECN NO.	DESCRIPTION	DATE	APPD
A	REL		2014-10-25	



Front Side View



Left Side View

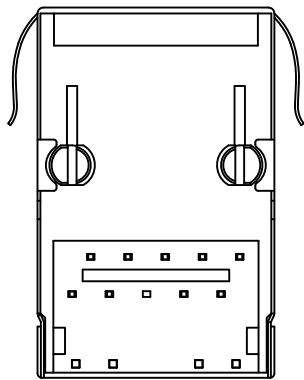


Suggested PCB Layout (Top View)



NOTES:

1. Designed to support application, such as SOHO (ADSL modems), LAN-on-Motherboard (LOM), hub and Switches.
2. Meets IEEE 802.3af specification
3. Connector Materials:  
 Housing Material: Thermoplastic PBT+30%G.F UL94V-0  
 Contact Material: Phosphor Bronze C5210R-EH Thickness=0.35mm  
 Pins: Brass C2680R-H Thickness=0.35mm  
 Shield: SUS S304-1/2H Thickness=0.2mm  
 Contact plating: Gold 6 micro-inches min. In contact area.
4. Wave solder tip temperature: 265°C Max, 5 Sec Max



Bottom Side View



Top Side View

X:X ±0.30	APPD:	LINK-PP INT'L TECHNOLOGY CO., LIMITED		
X:XX ±0.25	CHKD:			
X:XXX ±0.05	DR: TOM	TITLE: RJ45 Connector with 10/100 Base-T Integrated Magnetics For PoE Application		
ANGLES ±1°	UNIT: mm	PART NO.: LPJ1253AHNL		
	SCALE: 2/1	SHEET: 2/2	REV: A	DWG NO.: LP14110402