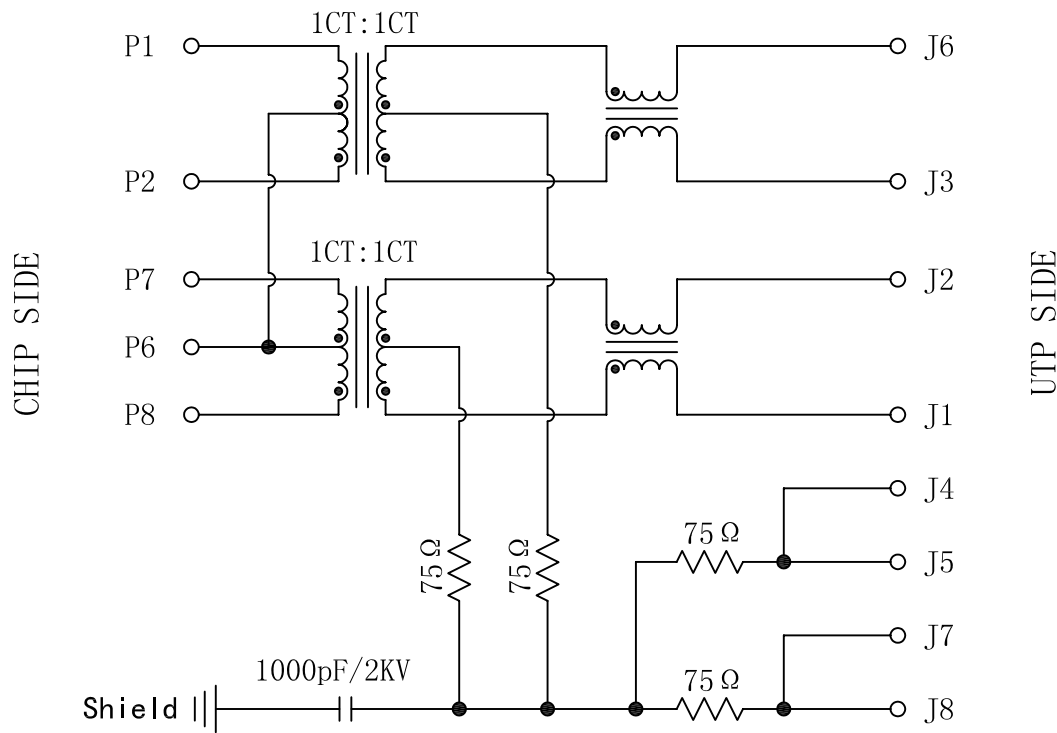


Schematic:

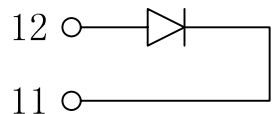
REV.	ECN NO.	DESCRIPTION	DATE	APPD
A	REL		2010/06/21	



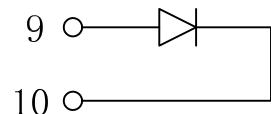
ELECTRICAL SPECIFICATIONS @25°C

- Turn Ratio(100KHz, 0. 1V) :  
 PINS: (P1-P2) : (J6-J3)=1:1 ±3%  
 PINS: (P7-P8) : (J2-J1)=1:1 ±3%
- OCL(100KHz, 100mV, 8mA DC Bias) :  
 PINS: (P1-P2), (P7-P8)=350uH MIN
- Insertion Loss:  
 -1.0dB MAX @ 1-100MHz
- Return Loss:  
 -18dB MIN @ 1-30MHz  
 -16dB MIN @ 30-60MHz  
 -12dB MIN @ 60-80MHz
- Cross talk:  
 -30dB MIN @ 1-100MHz
- CMRR:  
 -30dB MIN @ 1-100MHz
- Hipot Test: 1500Vrms
- Operating Temperature Range: 0°C TO 70°C.

GREEN/LEFT LED



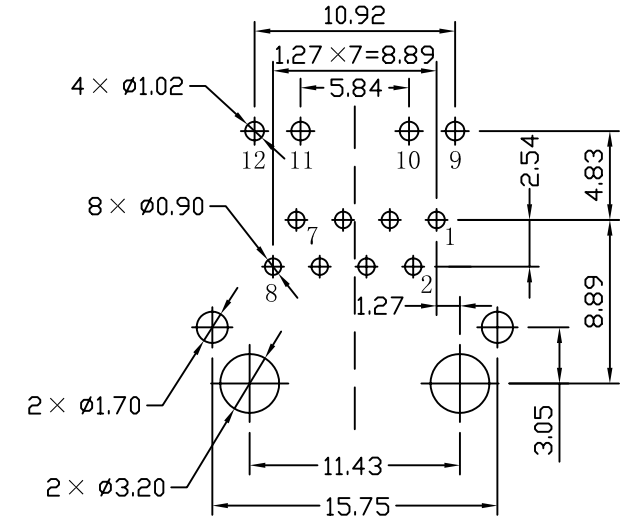
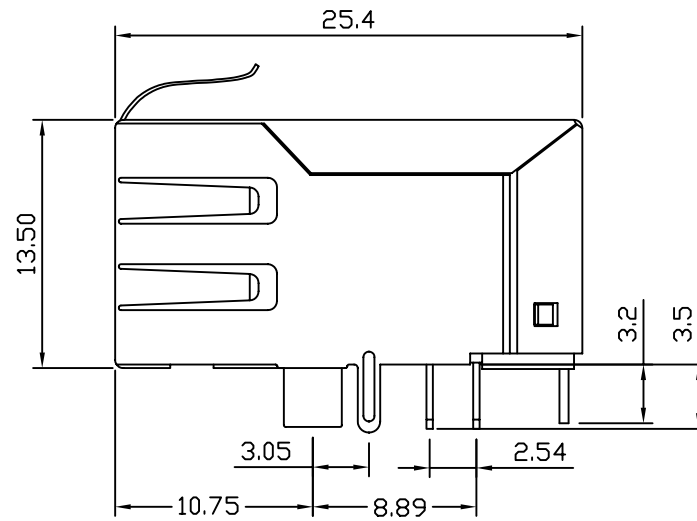
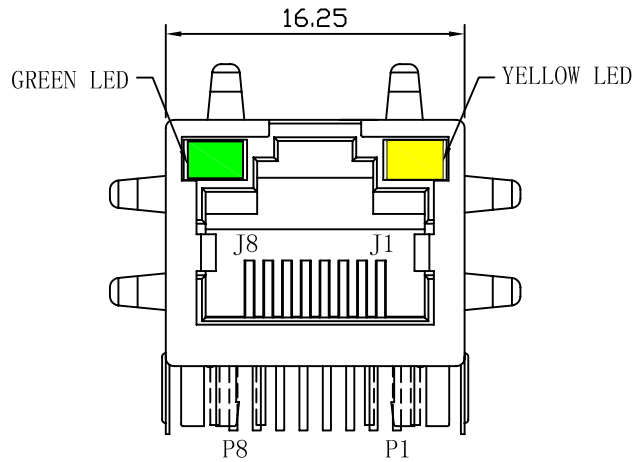
YELLOW/RIGHT LED



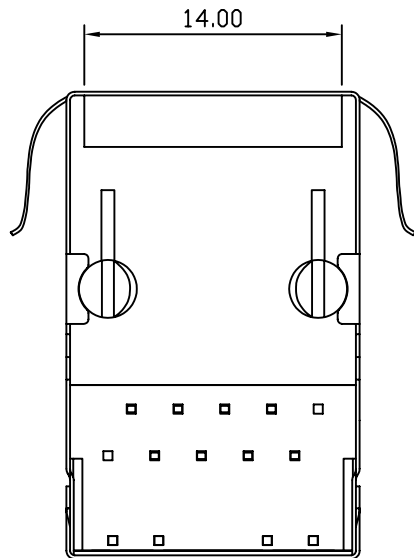
X:X ±0.25	APPD:	LINK-PP INT'L TECHNOLOGY CO., LIMITED
X:XX ±0.20	CHKD:	
X:XXX ±0.05	DR: TOM	TITLE: RJ45 Connector with 10/100 Base-TX Integrated Magnetics
ANGLES ±1°	UNIT: mm	PART NO. : LPJ1154ABNL
	SCALE: 2/1	SHEET: 1/2
	REV: A	DWG NO. : LP10062108

# Mechanical:

REV.	ECN NO.	DESCRIPTION	DATE	APPD
A	REL		2010/06/21	



SUGGESTED PCB LAYOUT (TOP VIEW)



## NOTES:

1. Designed to support application, such as SOHO (ADSL modems), LAN-on-Motherboard (LOM), hub and Switches.
2. Meets IEEE 802.3 specification
3. Connector Materials:  
 Housing: Thermoplastic UL94V-0  
 Contact/Shield: Copper alloy  
 Shield plating: Nickel  
 Contact plating: Gold 6 micro-inches min. In contact area.
4. Wave solder tip temperature: 265°C Max  
 Wave solder tip temperature time: 5 Sec Max



X:X ±0.25	APPD:	LINK-PP INT'L TECHNOLOGY CO., LIMITED
X:XX ±0.20	CHKD:	
X:XXX ±0.05	DR: TOM	TITLE: RJ45 Connector with 10/100 Base-TX Integrated Magnetics
ANGLES ±1°	UNIT: mm	PART NO.: LPJ1154ABNL
	SCALE: 2/1	SHEET: 2/2
	REV: A	DWG NO.: LP10062108