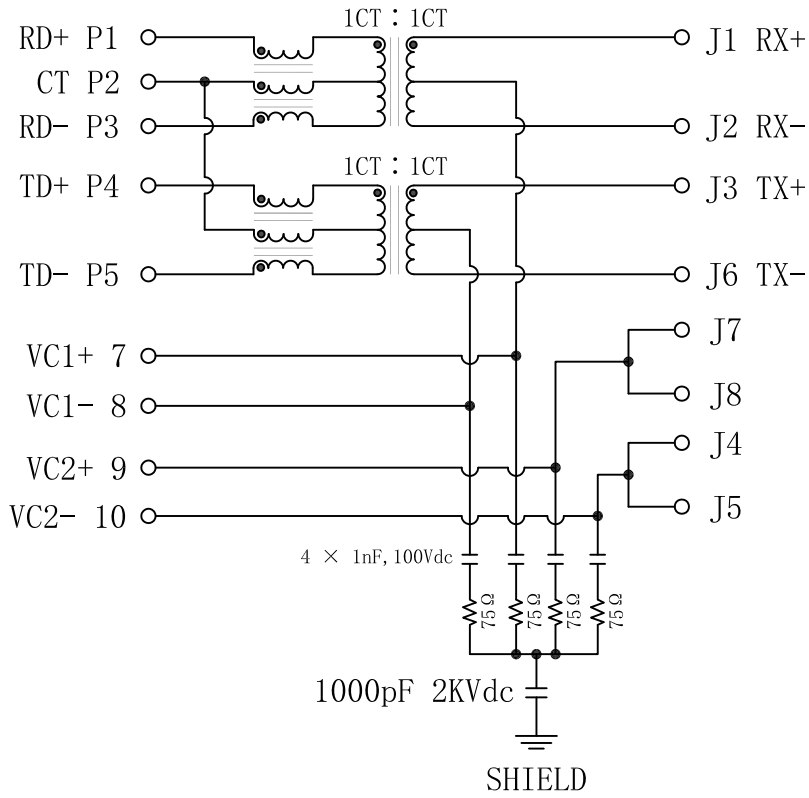


Schematic:

REV.	ECN NO.	DESCRIPTION	DATE	APPD
A	REL		2012-02-23	

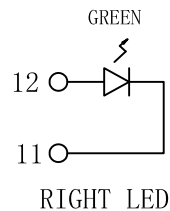
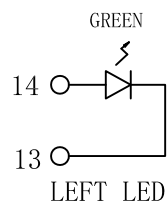
PCB CONNECTIONS



Electrical Specification @25°C

- Turns Ratio ($\pm 2\%$) :
TX=1CT:1CT RX=1CT:1CT
- OCL (@0.1V, 100KHz, 20mA DC Bias) :
350uH Min
- Insertion Loss:
1~100MHz: -1.5dB Max
- Return Loss:
1~30MHz: -16dB Min
60~80MHz: -10dB Min
- Crosstalk:
1~100MHz: -30dB Min
- CM TO CM REJECTION:
0.1~100MHz: -30dB Min
- Balanced DC Line Current: used pairs: 700mA Max
unused pairs: 700mA Max.
- Hipot: 1500Vrms
- Operating Temperature: 0°C~70°C.

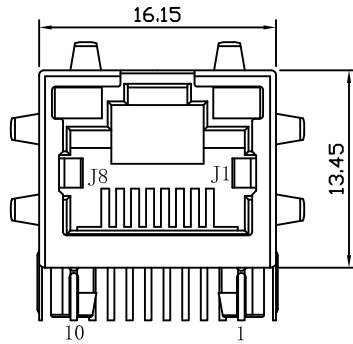
Emitting Color	λ p(nm)	VF@IF=20mA	IR @VR=5V
GREEN	565	1.8~2.6V	10 μ A max



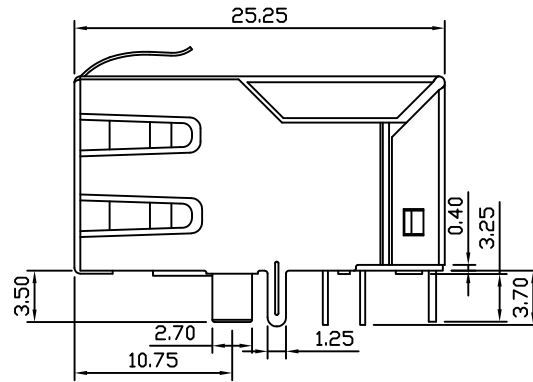
X:X	± 0.30	APPD:	LINK-PP INT'L TECHNOLOGY CO., LIMITED	
X:XX	± 0.25	CHKD:	TITLE: RJ45 Connector with 10/100 Base-T Integrated Magnetics For PoE+ Application	
X:XXX	± 0.05	DR: TOM	PART NO. : LPJ1145AWN	
ANGLES	$\pm 1^\circ$	UNIT: mm	DWG NO. : LP12022301	
	SCALE: 2/1	SHEET: 1/2	REV: A	

Mechanical:

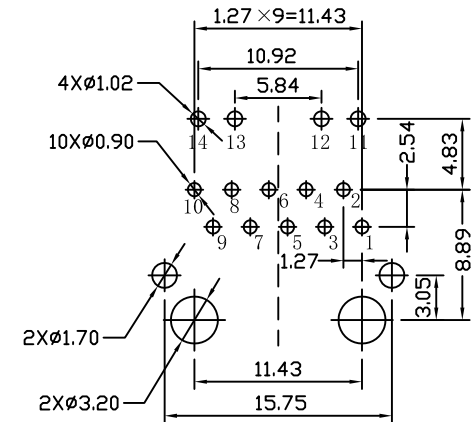
REV.	ECN NO.	DESCRIPTION	DATE	APPD
A	REL		2012-02-23	



Front Side View



Left Side View

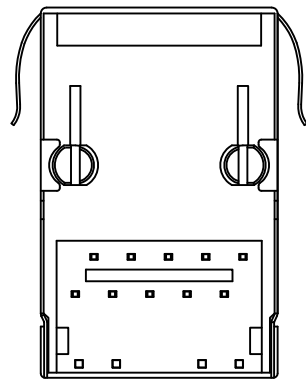


Suggested PCB Layout (Top View)

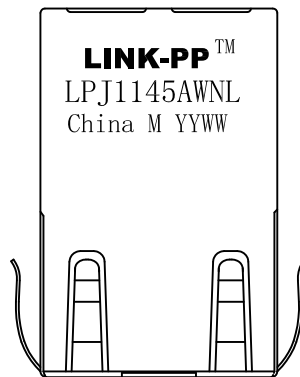


NOTES:

1. Designed to support application, such as SOHO (ADSL modems), LAN-on-Motherboard (LOM), hub and Switches.
2. Meets IEEE 802.3at specification
3. Connector Materials:
 Housing: Thermoplastic PBT+30%G. F UL94V-0
 Contact: Phosphor Bronze C5210R-EH Thickness=0.35mm
 Pins: Brass C2680R-H Thickness=0.35mm
 Shield: SUS 201-1/2H Thickness=0.2mm
 Contact plating: Gold 6 micro-inches min. In contact area.
4. Wave solder tip temperature: 265°C Max, 5 Sec.
5. UL Certification: File Number E484635.



Bottom Side View



Top Side View

X:X	±0.30	APPD:	LINK-PP INT'L TECHNOLOGY CO., LIMITED	
X:XX	±0.25	CHKD:	TITLE: RJ45 Connector with 10/100 Base-T Integrated Magnetics For PoE+ Application	
X:XXX	±0.05	DR: TOM	PART NO.: LPJ1145AWN	
ANGLES	±1°	UNIT: mm	DWG NO.: LP12022301	
		SCALE: 2/1	SHEET: 2/2	REV: A