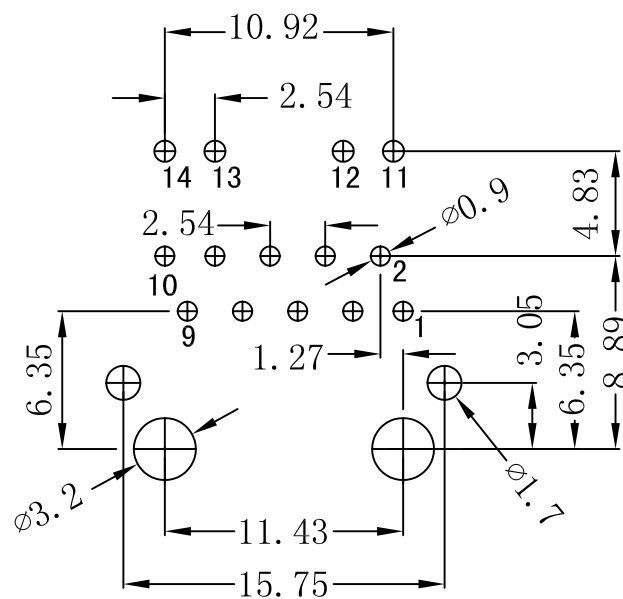
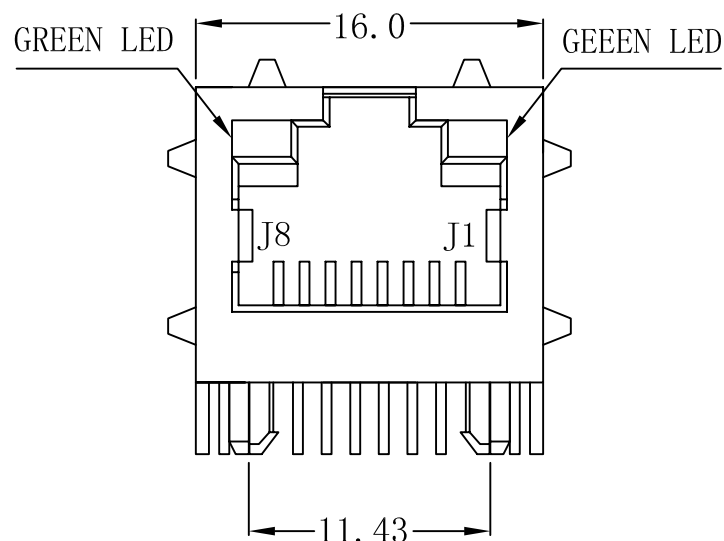
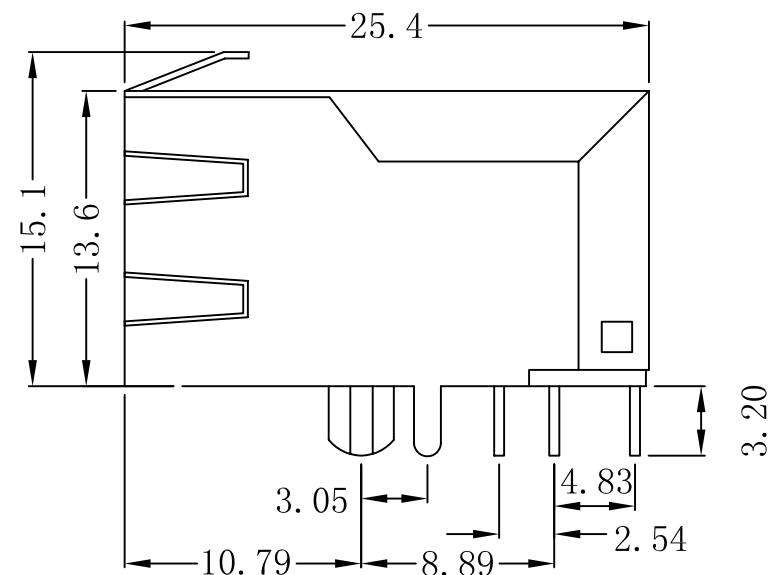


Mechanical:

REV.	ECN NO.	DESCRIPTION	DATE	APPD
A	REL		2010/06/02	



SUGGESTED PCB LAYOUT (TOP VIEW)



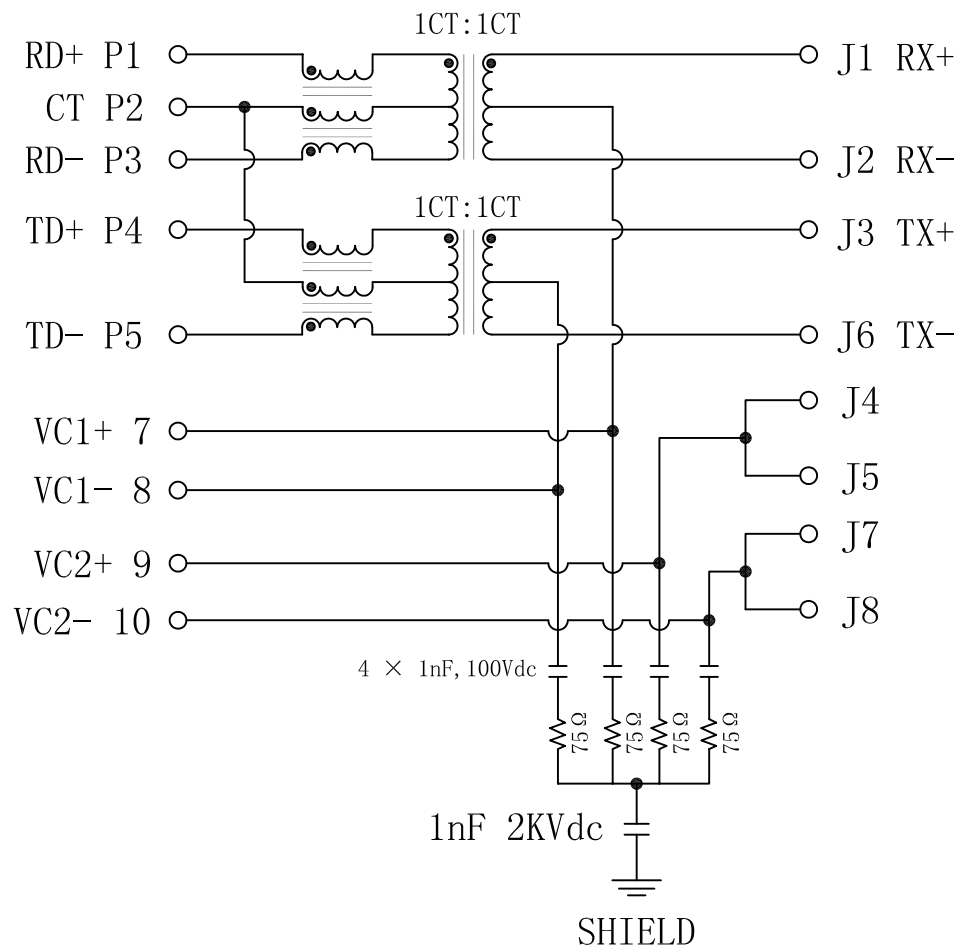
NOTES:

1. Designed to support application, such as SOHO (ADSL modems), LAN-on-Motherboard (LOM), hub and Switches.
2. Meets IEEE 802.3 specification
3. Connector Materials:
Housing: Thermoplastic UL94V-0
Contact/Shield: Copper alloy
Shield plating: Nickel
Contact plating: Gold 6 micro-inches min. In contact area.
4. Wave solder tip temperature: 265°C Max
Wave solder tip temperature time: 5 Sec Max

X:X	±0.20	APPD:	LINK-PP INT'L TECHNOLOGY CO., LIMITED
X:XX	±0.10	CHKD:	
X:XXX	±0.05	DR: TOM	<i>Title:</i> RJ45 Connector With 10/100 Base-TX Integrated Magnetic
ANGLES	±1°	UNIT: mm	PART NO.: LPJ1144AWN
	SCALE: 2/1	SHEET: 1/2	REV: A DWG NO.: LP10060208

Schematic:

REV.	ECN NO.	DESCRIPTION	DATE	APPD
A	REL		2010/06/02	

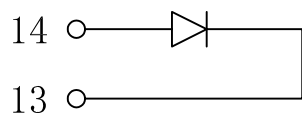


Electrical Specification @25°C

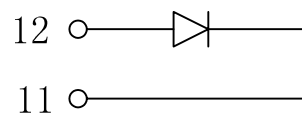
- Turns Ratio ($\pm 2\%$):
TX=1CT:1CT RX=1CT:1CT
- Return Loss:
1~30MHz:-16dB Min
60~80MHz:-10dB Min
- Crosstalk:
1~100MHz:-30dB Min
- Insertion Loss:
1~100MHz: -1.5dB Max
- CM TO CM REJECTION:
0.1~100MHz:-30dB Min
- OCL (0.1V, 100KHz, 8mA DC Bias):
350uH Min
- HI-POT TEST: 1500Vrms
- Operating Temperature: 0°C ~ 70°C



GREEN/LEFT LED



GREEN/RIGHT LED



X:X	± 0.20	APPD:	LINK-PP INT'L TECHNOLOGY CO., LIMITED
X:XX	± 0.10	CHKD:	
X:XXX	± 0.05	DR: TOM	<i>Title:</i> RJ45 Connector With 10/100 Base-TX Integrated Magnetic
ANGLES	$\pm 1^\circ$	UNIT: mm	PART NO.: LPJ1144AWN
	SCALE: 2/1	SHEET: 2/2	REV: A DWG NO.: LP10060208