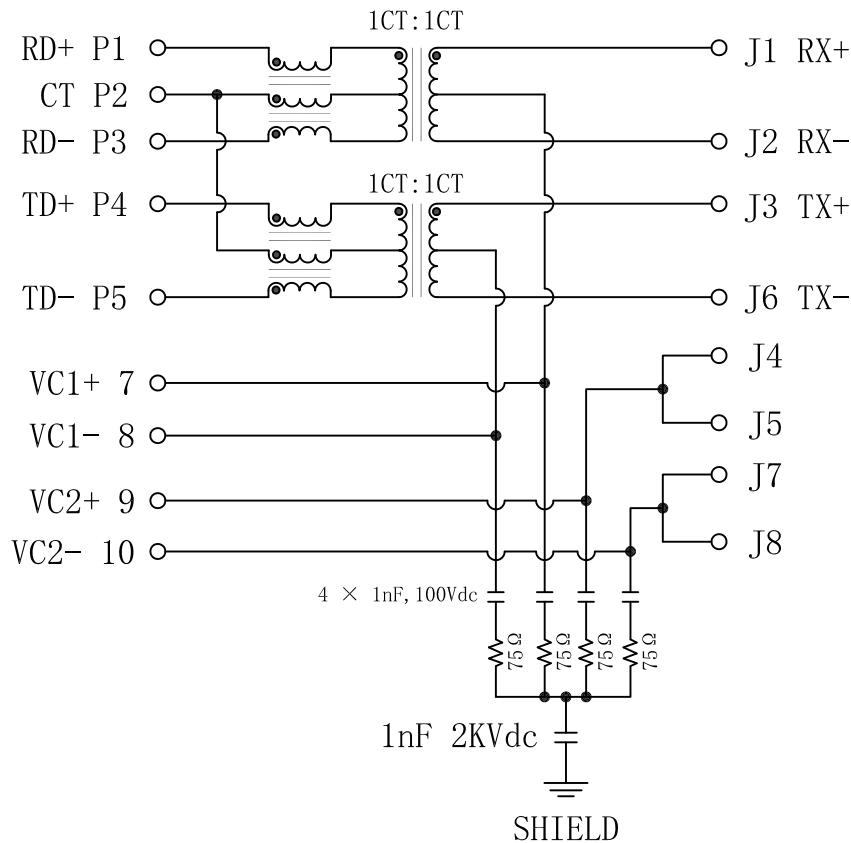


Schematic:

REV.	ECN NO.	DESCRIPTION	DATE	APPD
A	REL			

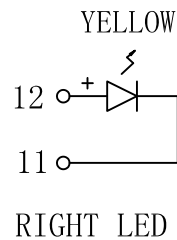
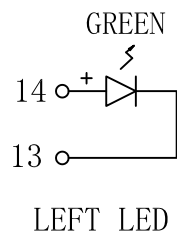
PCB CONNECTIONS



Electrical Specification @25°C

- Turns Ratio ($\pm 2\%$) :
TX=1CT:1CT RX=1CT:1CT
- Insertion Loss:
1~100MHz: -1.5dB Max
- Return Loss:
1~30MHz:-16dB Min
60~80MHz:-10dB Min
- Crosstalk:
1~100MHz:-30dB Min
- CM TO CM REJECTION:
0.1~100MHz:-30dB Min
- OCL(@100KHz, 0.1V, 8mA DC Bias):
350uH Min
- Balanced DC Line Current:
350mA Max.@57VDC continuous.
500mA Max.@57VDC for 200 miliseconds.
- Hipot: 1500Vrms.
- Operating Temperature: 0°C~70°C.

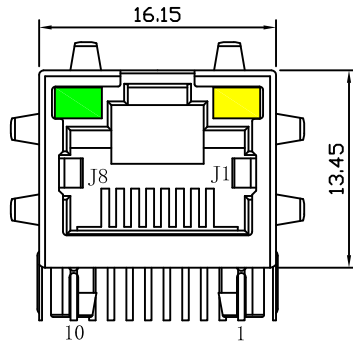
Emitting Color	λ p(nm)	VF@IF=20mA	IR @VR=5V
GREEN	565	1.8~2.6V	10 μ A max
YELLOW	585	1.8~2.6V	10 μ A max



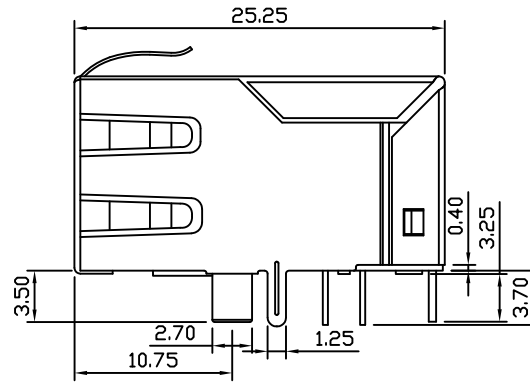
X:X	± 0.30	APPD:	LINK-PP INT'L TECHNOLOGY CO., LIMITED	
X:XX	± 0.25	CHKD:	TITLE: RJ45 Connector with 10/100 Base-T Integrated Magnetics For PoE Application	
X:XXX	± 0.05	DR: TOM	PART NO. : LPJ1144AHNL	
ANGLES	$\pm 1^\circ$	UNIT: mm	DWG NO. : LP11090846	
	SCALE: 2/1	SHEET: 1/2	REV: A	

Mechanical:

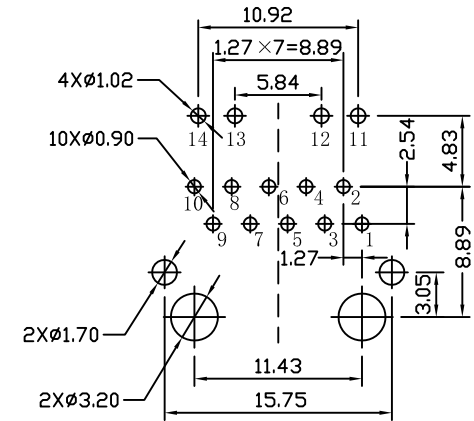
REV.	ECN NO.	DESCRIPTION	DATE	APPD
A	REL		2011-09-08	



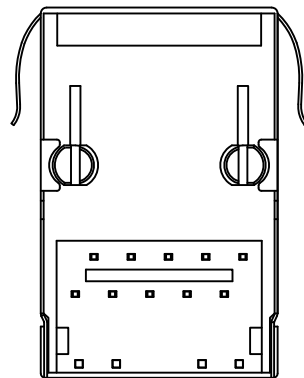
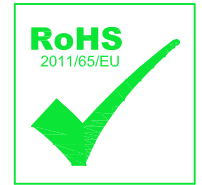
Front Side View



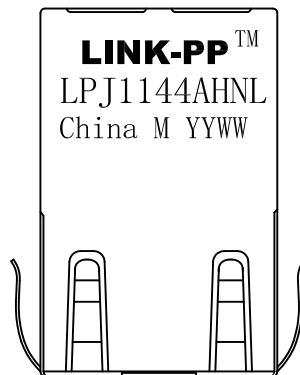
Left Side View



Suggested PCB Layout (Top View)



Bottom Side View



Top Side View

NOTES:

1. Designed to support application, such as SOHO (ADSL modems), LAN-on-Motherboard (LOM), hub and Switches.
2. Meets IEEE 802.3af specification
3. Connector Materials:
 Housing: Thermoplastic PBT+30%G.F UL94V-0
 Contact: Phosphor Bronze C5210R-EH Thickness=0.35mm
 Pins: Brass C2680R-H Thickness=0.35mm
 Shield: SUS 201-1/2H Thickness=0.2mm
 Contact plating: Gold 6 micro-inches min. In contact area.
4. Wave solder tip temperature: 265°C Max, 5 Sec Max
5. UL Certification: File Number E484635.

X:X	±0.30	APPD:	LINK-PP INT'L TECHNOLOGY CO., LIMITED	
X:XX	±0.25	CHKD:	TITLE: RJ45 Connector with 10/100 Base-T Integrated Magnetics For PoE Application	
X:XXX	±0.05	DR: TOM	PART NO.: LPJ1144AHNL	
ANGLES	±1°	UNIT: mm	DWG NO.: LP11090846	
	SCALE: 2/1	SHEET: 2/2	REV: A	