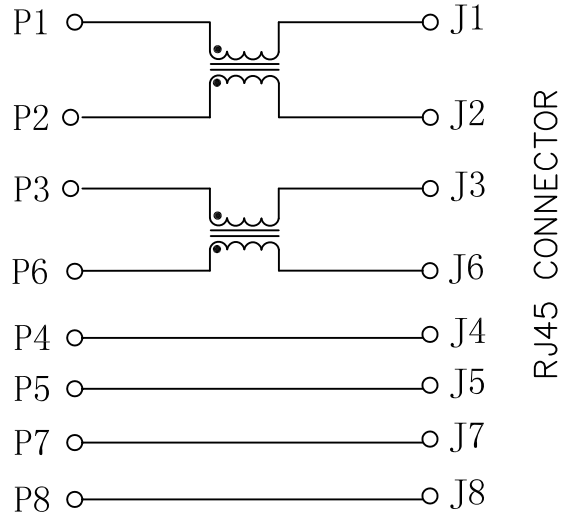


Schematic:

REV.	ECN NO.	DESCRIPTION	DATE	APPD
A	REL		2021-07-08	

PC BOARD CONNECTIONS



ELECTRICAL SPECIFICATIONS @25°C

1. Choke OCL:

- P6-J6: 65uH Typ @0.01V, 10KHz.
- P1-J1: 65uH Typ @0.01V, 10KHz.

2. DC Resistance:

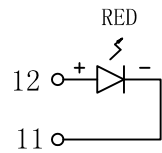
- P6-J6: 0.5 Ω Max
- P3-J3: 0.5 Ω Max
- P2-J2: 0.5 Ω Max
- P1-J1: 0.5 Ω Max

3. Common Mode (CMA):

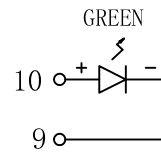
- 1MHz: -8dB Typ, -5dB Min
- 5MHz: -17dB Typ, -15dB Min
- 20MHz: -23dB Typ, -15dB Min
- 70MHz: -25dB Typ, -20dB Min
- 200MHz: -22dB Typ, -17dB Min
- 500MHz: -11dB Typ, -6dB Min

4. Winding Isolation: 500Vrms, 1 munit.

5. Operating Temperature: 0°C ~ 70°C.



LEFT LED



RIGHT LED

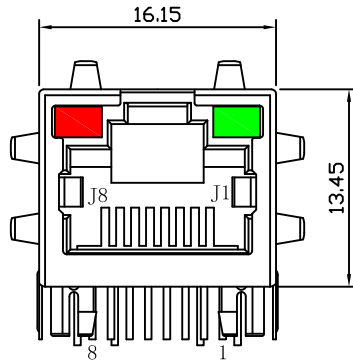
Emitting Color	λp(nm)	VF@IF=20mA	IR @VR=5V
GREEN	565	1.8~2.6V	10 μA max
RED	620	1.8~2.6V	10 μA max



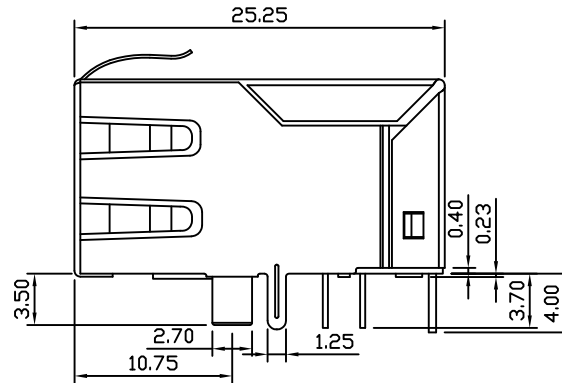
X:X ±0.30	APPD:	LINK-PP INT'L TECHNOLOGY CO., LIMITED
X:XX ±0.25	CHKD:	
X:XXX ±0.05	DR: TOM	TITLE: RJ45 Connector, CMC, 100 BT TAB UP, Shielded
ANGLES ±1°	UNIT: mm	PART NO.: LPJ1052A80NL
	SCALE: 2/1	SHEET: 1/2
	REV: A	DWG NO.: LP21070801

Mechanical:

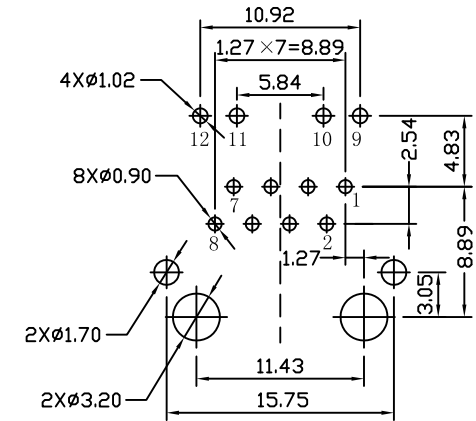
REV.	ECN NO.	DESCRIPTION	DATE	APPD
A	REL		2021-07-08	



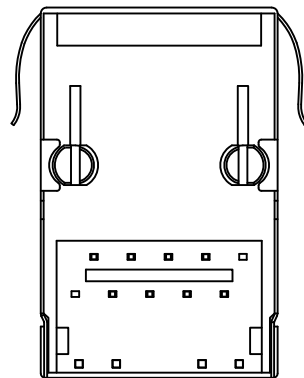
Front Side View



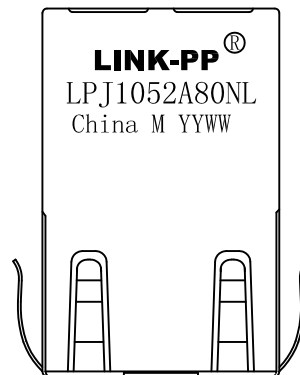
Left Side View



Suggested PCB Layout (Top View)



Bottom Side View



Top Side View

NOTES:

1. Designed to support application, such as SOHO (ADSL modems), LAN-on-Motherboard (LOM), hub and Switches.
2. Meets IEEE 802.3 specification
3. Connector Materials:
 Housing: Thermoplastic PBT+30%G.F UL94V-0
 Contact: Phosphor Bronze C5210R-EH Thickness=0.35mm
 Pins: Brass C2680R-H Thickness=0.35mm
 Shield: SUS 201-1/2H Thickness=0.2mm
 Contact plating: Gold 6 micro-inches min. In contact area.
4. Wave solder tip temperature: 250°C, 5 Sec.
5. UL Certification: File Number E484635.

X:X ±0.30	APPD:	LINK-PP INT'L TECHNOLOGY CO., LIMITED
X:XX ±0.25	CHKD:	
X:XXX ±0.05	DR: TOM	TITLE: RJ45 Connector ,CMC, 100 BT TAB UP,Shielded
ANGLES ±1°	UNIT: mm	PART NO. : LPJ1052A80NL
	SCALE: 2/1	SHEET: 2/2
	REV: A	DWG NO. : LP21070801