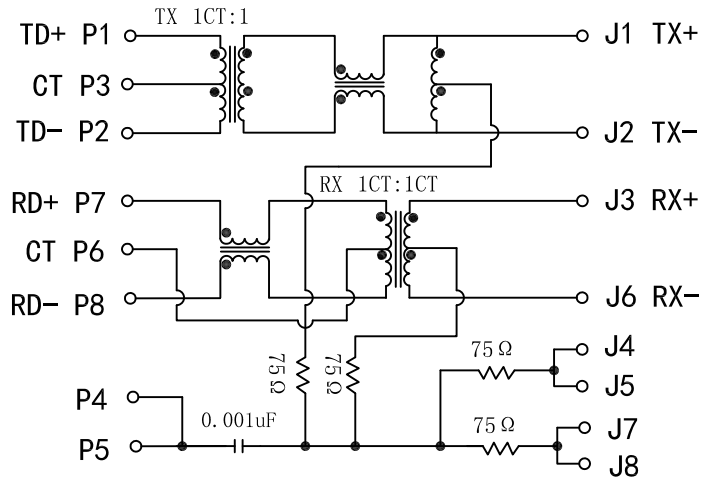


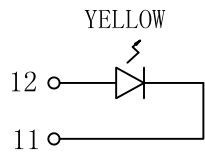
Schematic:

REV.	ECN NO.	DESCRIPTION	DATE	APPD
A	REL		2007-06-08	

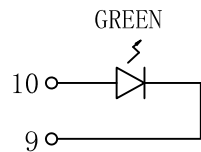
PC BOARD CONNECTIONS



RJ45 CONNECTOR



LEFT LED



RIGHT LED

Emitting Color	λ p(nm)	VF@IF=20mA	IR @VR=5V
GREEN	565	1.8~2.6V	10 μ A max
YELLOW	585	1.8~2.6V	10 μ A max

ELECTRICAL SPECIFICATIONS @25°C

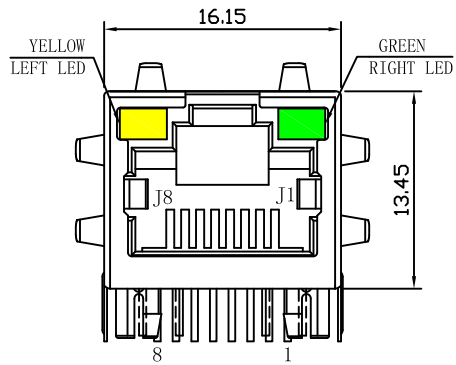
- Turn Ratio:
TX=1CT : 1 RX=1CT : 1CT
- Inductance OCL: 350uH MIN
@100KHz 0.1V 8mA DC Bias
- Insertion Loss:
-1.0dB TYP @1-65MHz
- Return Loss (dB TYP @100 Ω ±15 Ω):
-20dB TYP @1-10MHz
-16dB TYP @10-30MHz
-12dB TYP @30-60MHz
-10dB TYP @60-100MHz
- Cross talk:
-40dB TYP @1-30MHz
-35dB TYP @30-60MHz
-30dB TYP @60-100MHz
- Common Mode Rejection:
-30dB TYP @1-50MHz
-20dB TYP @50-150MHz
- Hipot Test: 1500Vrms @60Hz
- Operating Temperature Range: 0°C TO 70°C



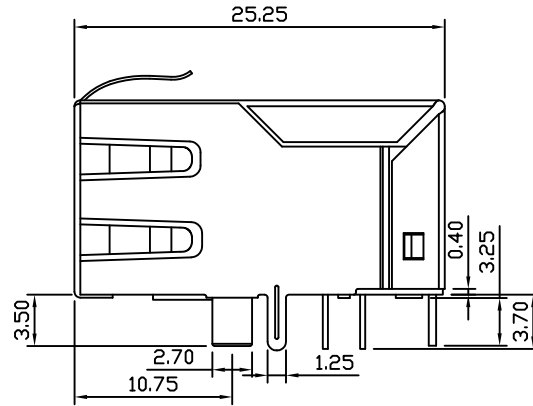
X:X	±0.30	APPD:	LINK-PP INT'L TECHNOLOGY CO., LIMITED	
X:XX	±0.25	CHKD:	TITLE: RJ45 Connector with 10/100 Base-T Integrated Magnetics	
X:XXX	±0.05	DR: TOM	PART NO.: LPJ1026AGNL	
ANGLES	±1°	UNIT: mm	DWG NO.: LP07060827	
	SCALE: 2/1	SHEET: 1/2	REV: A	

Mechanical:

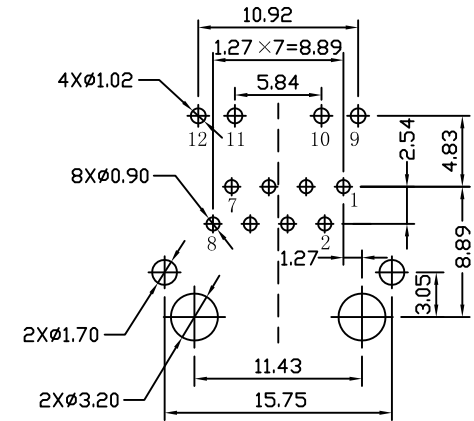
REV.	ECN NO.	DESCRIPTION	DATE	APPD
A	REL		2007-06-08	



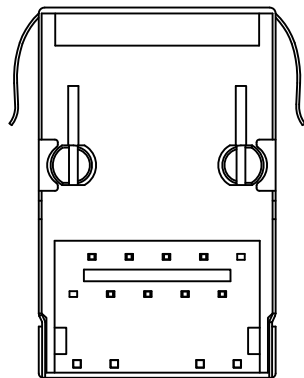
Front Side View



Left Side View



Suggested PCB Layout (Top View)



Bottom Side View



Top Side View

NOTES:

1. Designed to support application, such as SOHO (ADSL modems), LAN-on-Motherboard (LOM), hub and Switches.
2. Meets IEEE 802.3 specification
3. Connector Materials:
 Housing: Thermoplastic PBT+30%G.F UL94V-0
 Contact: Phosphor Bronze C5210R-EH Thickness=0.35mm
 Pins: Brass C2680R-H Thickness=0.35mm
 Shield: SUS 201-1/2H Thickness=0.2mm
 Contact plating: Gold 6 micro-inches min. In contact area.
4. Wave solder tip temperature: 265°C Max, 5 Sec Max.

X:X	±0.30	APPD:	LINK-PP INT'L TECHNOLOGY CO., LIMITED	
X:XX	±0.25	CHKD:	TITLE: RJ45 Connector with 10/100 Base-T Integrated Magnetics	
X:XXX	±0.05	DR: TOM	PART NO.: LPJ1026AGNL	
ANGLES	±1°	UNIT: mm	DWG NO.: LP07060827	
	SCALE: 2/1	SHEET: 2/2	REV: A	