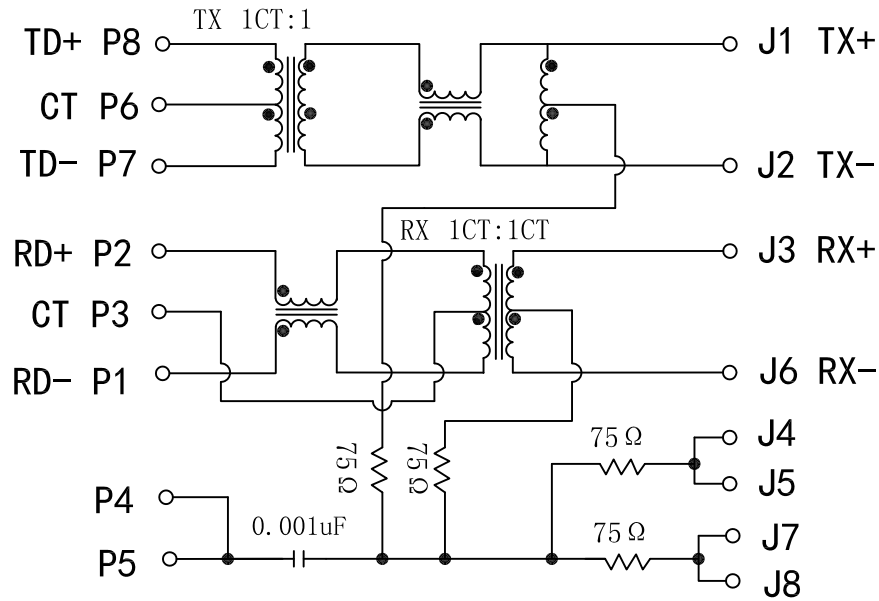


# Schematic:

REV.	ECN NO.	DESCRIPTION	DATE	APPD
A	REL		2010/12/21	

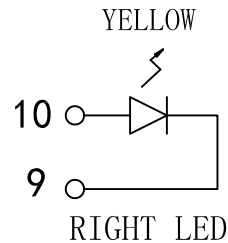
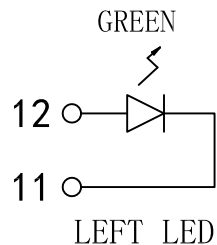
PC BOARD CONNECTIONS



RJ45 CONNECTOR

## Electrical Specification @25°C

- Turns Ratio:  
TX=1CT:1      RX=1CT:1CT
- Inductance: 350uH MIN  
@0.1V, 0.1MHz, 8mA DC Bias
- Insertion Loss:  
1-65MHz:-1.0dB TYP
- Return Loss(dB TYP @100Ω±15Ω):  
1-10MHz:-20;      10-30MHz:-16  
30-60MHz:-12;      60-100MHz:-10
- Cross talk(dB TYP):  
1-30MHz:-40      30-60MHz:-35  
60-100MHz:-30
- Common Mode Rejection(dB TYP)  
1-50MHz:-30;      50-150MHz:-20
- Hipot: 1500Vrms @60Hz
- Operating Temperature: 0°C ~+70°C.

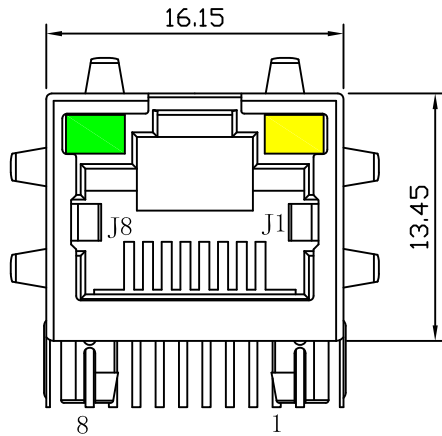


Emitting Color	$\lambda_p$ (nm)	VF@IF=20mA	IR @VR=5V
GREEN	565	1.8~2.4V	10 $\mu$ A max
YELLOW	585	1.8~2.4V	10 $\mu$ A max

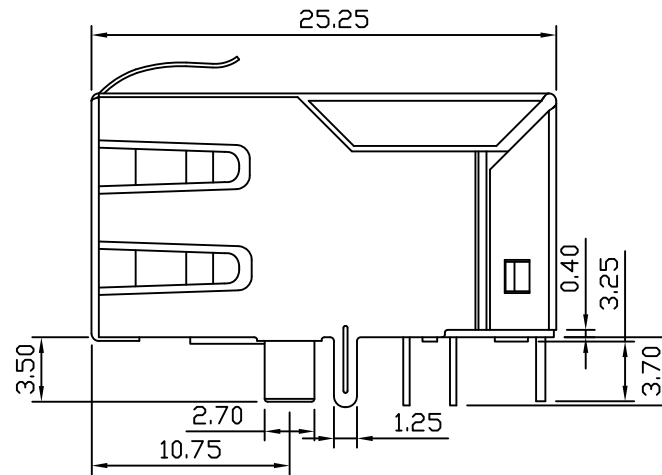
X:X	±0.25	APPD:	LINK-PP INT'L TECHNOLOGY CO., LIMITED	
X:XX	±0.20	CHKD:	TITLE: RJ45 Connector with 10/100 Base-T Integrated Magnetics	
X:XXX	±0.05	DR: TOM		
ANGLES	±1°	UNIT: mm	PART NO.: LPJ1016AHL	
	SCALE: 2/1	SHEET: 1/2	REV: A	DWG NO.: LP10122116

# Mechanical:

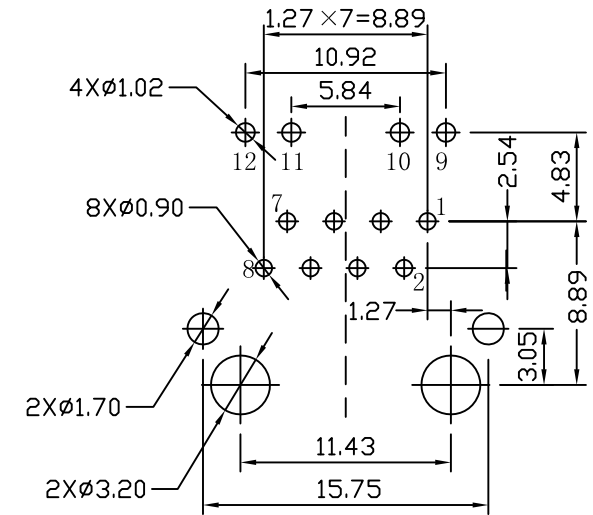
REV.	ECN NO.	DESCRIPTION	DATE	APPD
A	REL		2010/12/21	



Front Side View



Left Side View

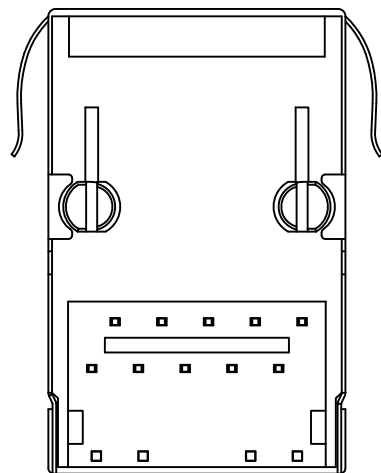


Suggested PCB Layout (Top View)

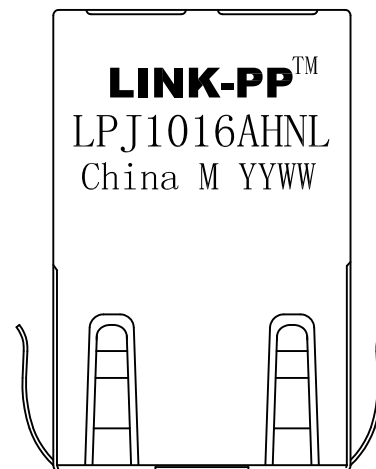


## NOTES:

1. Designed to support application, such as SOHO (ADSL modems), LAN-on-Motherboard (LOM), hub and Switches.
2. Meets IEEE 802.3 specification
3. Connector Materials:  
 Housing Material: Thermoplastic PBT+30%G.F UL94V-0  
 Contact Material: Phosphor Bronze C5210R-EH Thickness=0.35mm  
 Pins: Brass C2680R-H Thickness=0.35mm  
 Shield: SUS S201-1/2H Thickness=0.2mm  
 Contact plating: Gold 6 micro-inches min. In contact area.
4. Wave solder tip temperature: 265°C Max, 5 Sec Max



Bottom Side View



Top Side View

X:X ±0.25	APPD:	LINK-PP INT'L TECHNOLOGY CO., LIMITED
X:XX ±0.20	CHKD:	
X:XXX ±0.05	DR: TOM	TITLE: RJ45 Connector with 10/100 Base-T Integrated Magnetics
ANGLES ±1°	UNIT: mm	PART NO.: LPJ1016AHNL
	SCALE: 2/1	SHEET: 2/2
	REV: A	DWG NO.: LP10122116