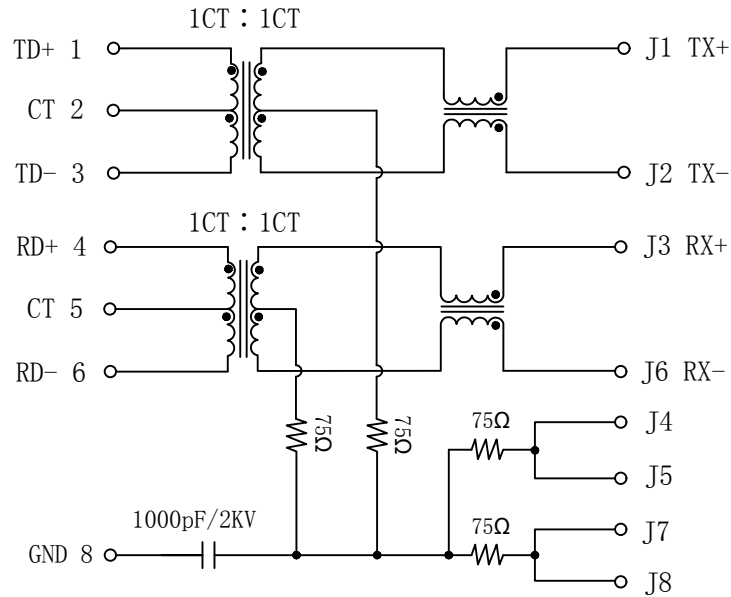


Schematic:

| REV. | ECN NO. | DESCRIPTION | DATE | APPD |
|------|---------|-------------|------------|------|
| A | REL | | 2010-12-21 | |

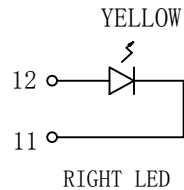
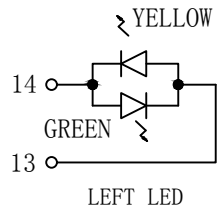
PC BOARD CONNECTIONS



RJ45 CONNECTOR

Electrical Specification @25°C

- TR: (100KHz, 100mV);
TX=1CT : 1CT $\pm 3\%$ RX=1CT : 1CT $\pm 3\%$
- LX: (100KHz, 100mV, 8mA, DC Bias)
PINS: (P1, P3), (P4, P6)=350uH MIN
- HIPOT:
PINS (P1, P2, P3) TO (J1, J2)=1500Vrms
PINS (P4, P5, P6) TO (J3, J6)=1500Vrms
- INSERTION LOSS:
-1.0dB MAX @ 1.0MHz TO 65MHz
- RETURN LOSS:
-20dB MIN @ 1MHz TO 10MHz
-16dB MIN @ 10MHz TO 30MHz
-12dB MIN @ 30MHz TO 60MHz
-10dB MIN @ 60MHz TO 100MHz
- CROSS TALK:
-40dB MIN @ 1MHz TO 30MHz
-35dB MIN @ 30MHz TO 60MHz
-30dB MIN @ 60MHz TO 100MHz
- COMMON TO COMMON MODE REJECTION:
-30dB MIN @1MHz TO 50MHz
-20dB MIN @50MHz TO 150MHz
- OPERATING TEMPERATURE: 0°C~70°C.



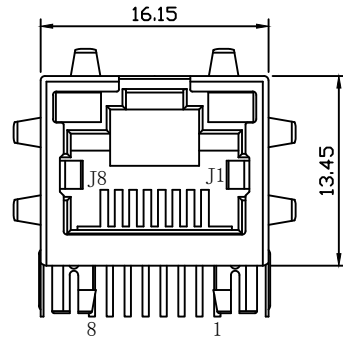
| Emitting Color | λ_p (nm) | V _F @I _F =20mA | I _R @V _R =5V |
|----------------|------------------|--------------------------------------|------------------------------------|
| GREEN | 565 | 1.8~2.6V | 10 μ A max |
| YELLOW | 585 | 1.8~2.6V | 10 μ A max |



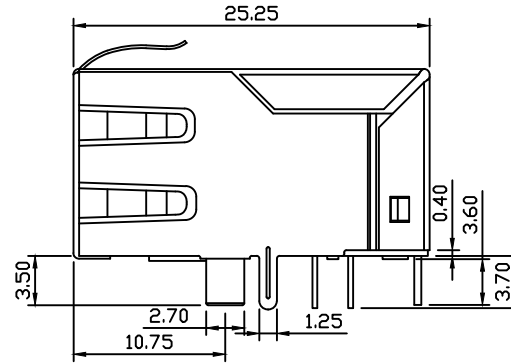
| | | | | |
|--------|---------------|-------------|---|--|
| X:X | ± 0.30 | APPD: TOM | LINK-PP INT'L TECHNOLOGY CO., LIMITED | |
| X:XX | ± 0.25 | CHKD: JAMES | TITLE: RJ45 Connector with 10/100 Base-T Integrated Magnetics | |
| X:XXX | ± 0.05 | DR: LEO | PART NO.: LPJ1014A35NL | |
| ANGLES | $\pm 1^\circ$ | UNIT: mm | DWG NO.: LP110122109 | |
| | SCALE: 2/1 | SHEET: 1/2 | REV: A | |

Mechanical:

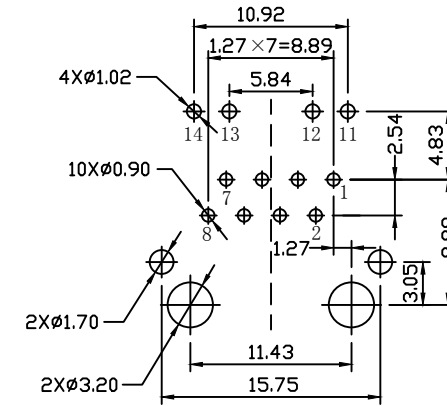
| REV. | ECN NO. | DESCRIPTION | DATE | APPD |
|------|---------|-------------|------------|------|
| A | REL | | 2010-12-21 | |



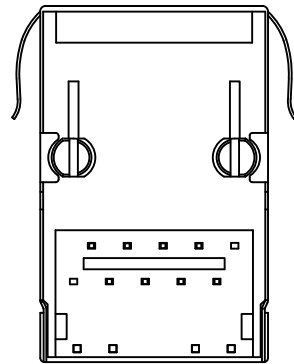
Front Side View



Left Side View



Suggested PCB Layout (Top View)



Bottom Side View



Top Side View

NOTES:

1. Designed to support application, such as SOHO (ADSL modems), LAN-on-Motherboard (LOM), hub and Switches.
2. Meets IEEE 802.3 specification
3. Connector Materials:
 Housing: Thermoplastic PBT+30%G.F UL94V-0
 Contact: Phosphor Bronze C5210R-EH Thickness=0.35mm
 Pins: Brass C2680R-H Thickness=0.35mm
 Shield: SUS 201-1/2H Thickness=0.2mm
 Contact plating: Gold 6 micro-inches min. In contact area.
4. Wave solder tip temperature: 260°C, 5 Sec.
5. UL Certification: File Number E484635

| | | |
|-------------|-------------|---|
| X:X ±0.30 | APPD: TOM | LINK-PP INT'L TECHNOLOGY CO., LIMITED |
| X:XX ±0.25 | CHKD: JAMES | |
| X:XXX ±0.05 | DR: LEO | TITLE: RJ45 Connector with 10/100 Base-T Integrated Magnetics |
| ANGLES ±1° | UNIT: mm | PART NO.: LPJ1014A35NL |
| | SCALE: 2/1 | SHEET: 2/2 |
| | REV: A | DWG NO.: LP110122109 |

