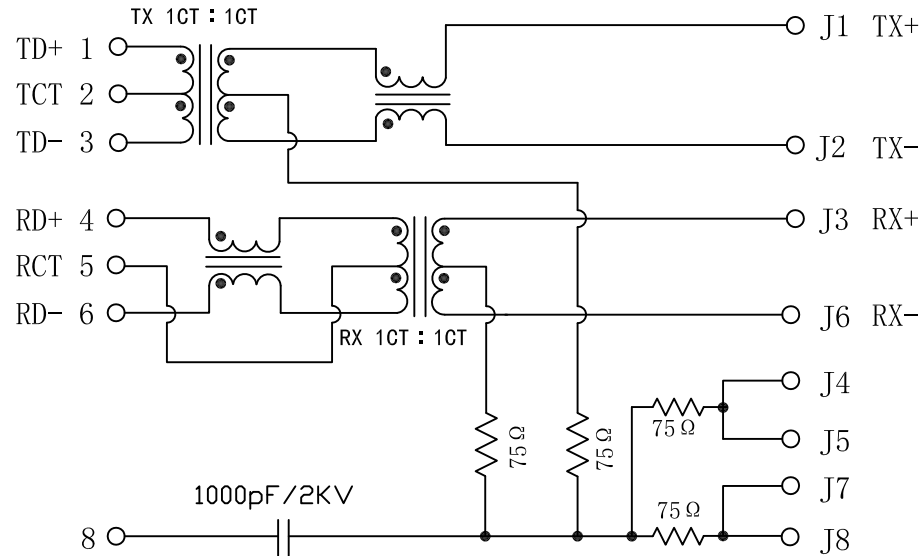


Schematic:

REV.	ECN NO.	DESCRIPTION	DATE	APPD
A	REL		05/03/2010	

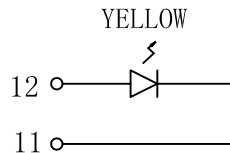
PC BOARD CONNECTIONS



RJ45 CONNECTOR

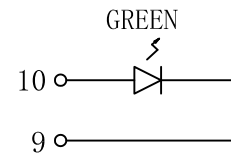
Electrical Specification @25°C

- Turns Ratio ($\pm 2\%$) :
TX=1CT : 1CT RX=1CT : 1CT
- OCL: 350uH Min
@100KHz 0.1V 8mADC Bias.
- Insertion Loss:
1-65MHz:-1.0dB Max
- Return Loss (dB Min) :
1-10MHz:-20 10-30MHz:-16
30-60MHz:-12 60-100MHz:-10
- Crosstalk (dB Min):
1-30MHz:-40 30-60MHz:-35
60-100MHz:-30
- CMR (dB Min) :
1-50MHz:-30 50-150MHz:-20
- Isolation Voltage: 1500Vrms
- Operating Temperature: 0°C ~ 70°C.



LEFT LED

LED POLARITY		COLOR
PIN 12	PIN 11	
+	-	YELLOW



RIGHT LED

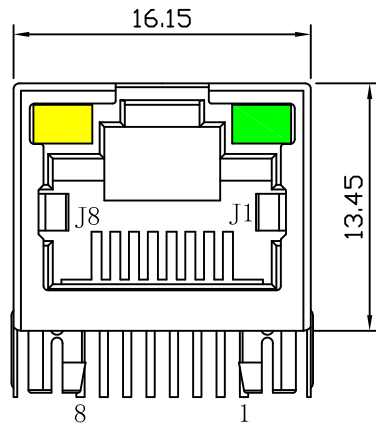
LED POLARITY		COLOR
PIN 10	PIN 9	
+	-	GREEN

Emitting Color	λ_p (nm)	VF@IF=20mA	IR @VR=5V
GREEN	565	1.8~2.6V	10 μ A max
YELLOW	585	1.8~2.6V	10 μ A max

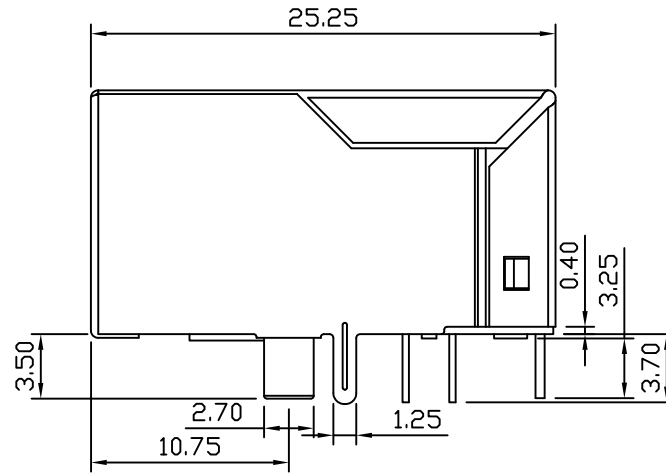
X:X	± 0.25	APPD:	LINK-PP INT'L TECHNOLOGY CO., LIMITED	
X:XX	± 0.20	CHKD:	TITLE: RJ45 Connector with 10/100 Base-T Integrated Magnetics	
X:XXX	± 0.05	DR: TOM		
ANGLES	$\pm 1^\circ$	UNIT: mm	PART NO.: LPJ1012BGNL	
	SCALE: 2/1	SHEET: 1/2	REV: A	DWG NO.: LP100305016

Mechanical:

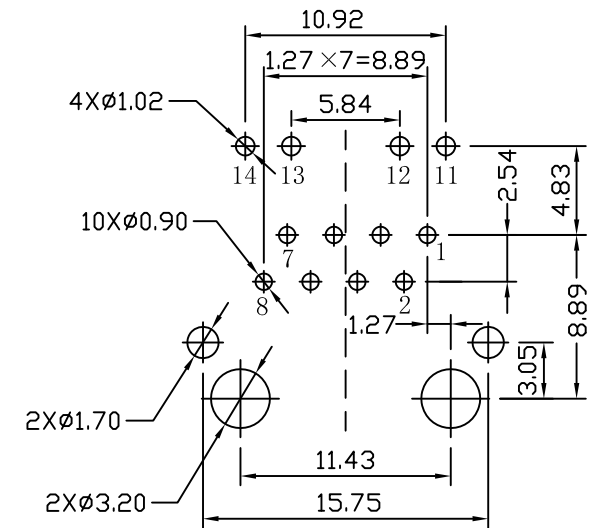
REV.	ECN NO.	DESCRIPTION	DATE	APPD
A	REL		05/03/2010	



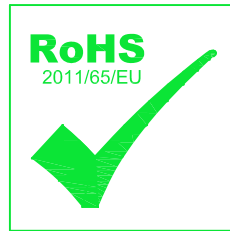
Front Side View



Left Side View

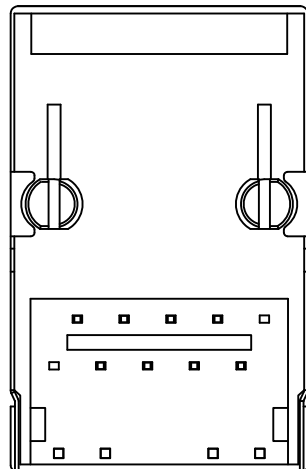


Suggested PCB Layout (Top View)

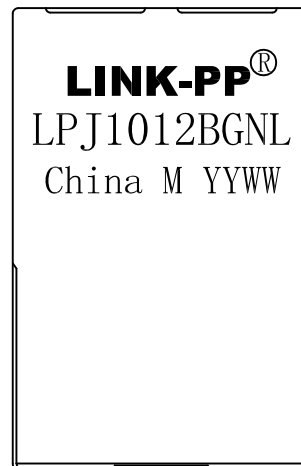


NOTES:

1. Designed to support application, such as SOHO (ADSL modems), LAN-on-Motherboard (LOM), hub and Switches.
2. Meets IEEE 802.3 specification
3. Connector Materials:
 Housing: Thermoplastic PBT+30%G. F UL94V-0
 Contact: Phosphor Bronze C5210R-EH Thickness=0.35mm
 Pins: Brass C2680R-H Thickness=0.35mm
 Shield: SUS 201-1/2H Thickness=0.2mm
 Contact plating: Gold 6 micro-inches min. In contact area.
4. Wave solder tip temperature: 265°C Max, 5 Sec.
5. UL Certification: File Number E484635.



Bottom Side View



Top Side View

X:X ±0.25	APPD:	LINK-PP INT'L TECHNOLOGY CO., LIMITED		
X:XX ±0.20	CHKD:	TITLE: RJ45 Connector with 10/100 Base-T Integrated Magnetics		
X:XXX ±0.05	DR: TOM	PART NO.: LPJ1012BGNL		
ANGLES ±1°	UNIT: mm	DWG NO.: LP100305016		
	SCALE: 2/1	SHEET: 2/2	REV: A	