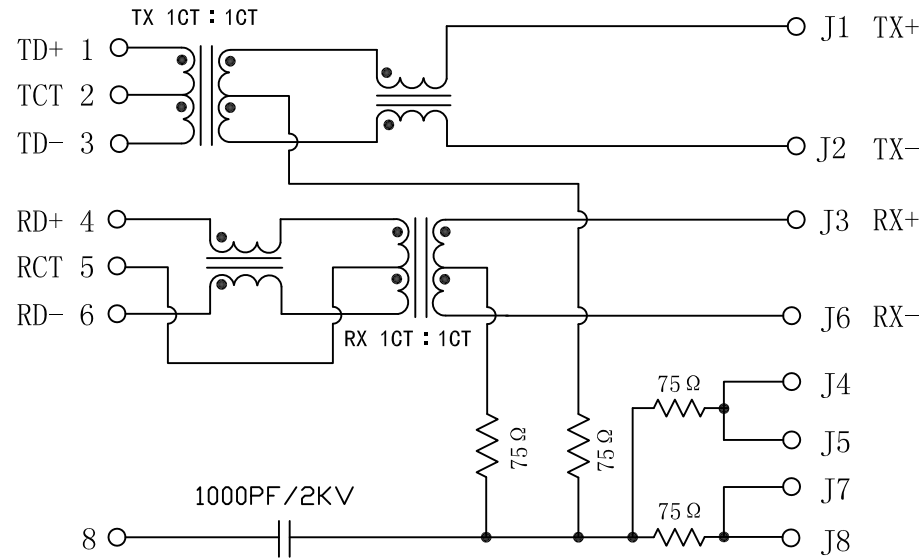


# Schematic:

REV.	ECN NO.	DESCRIPTION	DATE	APPD
A	REL		05/03/2010	

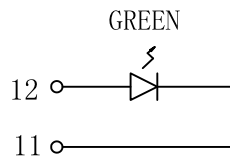
PC BOARD CONNECTIONS



RJ45 CONNECTOR

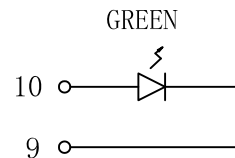
## Electrical Specification @25°C

- Turns Ratio ( $\pm 2\%$ ) :  
TX=1CT : 1CT      RX=1CT : 1CT
- OCL: 350uH Min  
@100KHz 0.1V 8mADC BIAS
- Insertion Loss:  
1-65MHz:-1.0dB Max
- Return Loss (dB Min) :  
1-10MHz:-20      10-30MHz:-16  
30-60MHz:-12      60-100MHz:-10
- Crosstalk (dB Min) :  
1-30MHz:-40      30-60MHz:-35  
60-100MHz:-30
- CMR (dB Min) :  
1-50MHz:-30      50-150MHz:-20
- Isolation Voltage: 1500Vrms
- Operating Temperature: 0°C~70°C.



LEFT LED

LED POLARITY		COLOR
PIN 12	PIN 11	
+	-	GREEN



RIGHT LED

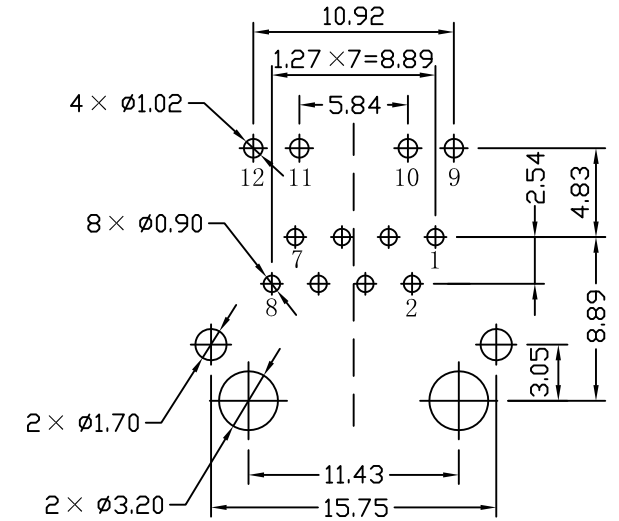
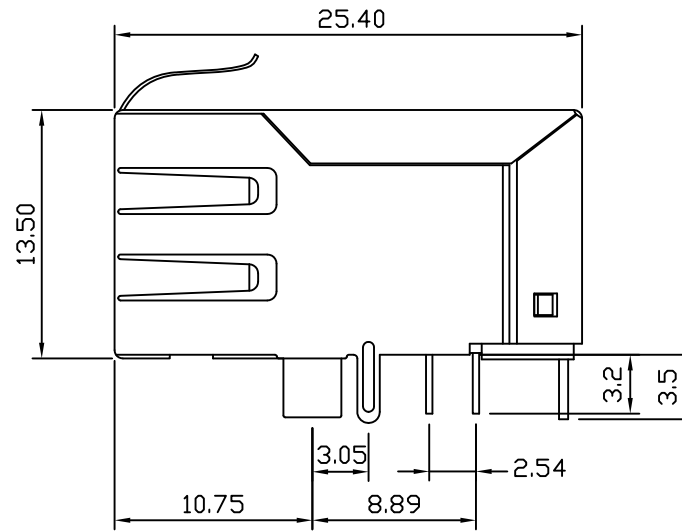
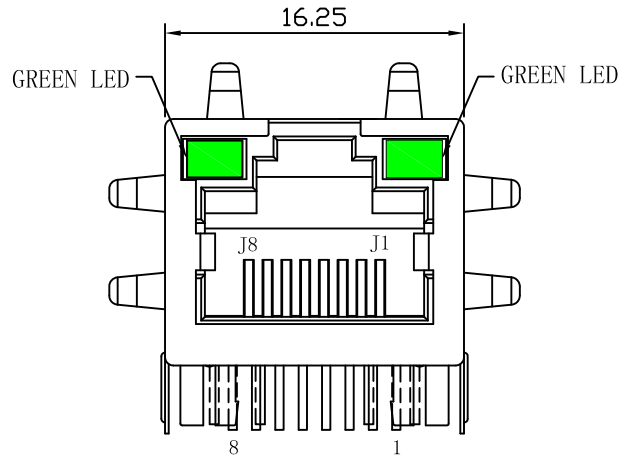
LED POLARITY		COLOR
PIN 10	PIN 9	
+	-	GREEN



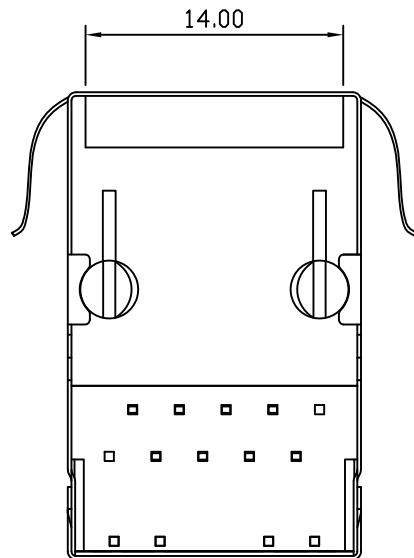
X:X	$\pm 0.25$	APPD:	LINK-PP INT'L TECHNOLOGY CO., LIMITED	
X:XX	$\pm 0.20$	CHKD:	TITLE: RJ45 Connector with 10/100 Base-T Integrated Magnetics	
X:XXX	$\pm 0.05$	DR: TOM	PART NO.: LPJ1012AWN	
ANGLES	$\pm 1^\circ$	UNIT: mm	DWG NO.: LP10030519	
	SCALE: 2/1	SHEET: 1/2	REV: A	

Mechanical:

REV.	ECN NO.	DESCRIPTION	DATE	APPD
A	REL		05/03/2010	



SUGGESTED PCB LAYOUT (TOP VIEW)



NOTES:

1. Designed to support application, such as SOHO (ADSL modems), LAN-on-Motherboard (LOM), hub and Switches.
2. Meets IEEE 802.3 specification
3. Connector Materials:  
 Housing: Thermoplastic UL94V-0  
 Contact/Shield: Copper alloy  
 Shield plating: Nickel  
 Contact plating: Gold 6 micro-inches min. In contact area.
4. Wave solder tip temperature: 265°C Max  
 Wave solder tip temperature time: 5 Sec Max



X:X	±0.25	APPD:	LINK-PP INT'L TECHNOLOGY CO., LIMITED	
X:XX	±0.20	CHKD:	TITLE: RJ45 Connector with 10/100 Base-T Integrated Magnetics	
X:XXX	±0.05	DR: TOM		
ANGLES	±1°	UNIT: mm	PART NO.: LPJ1012AWN	
	SCALE: 2/1	SHEET: 2/2	REV: A	DWG NO.: LP10030519