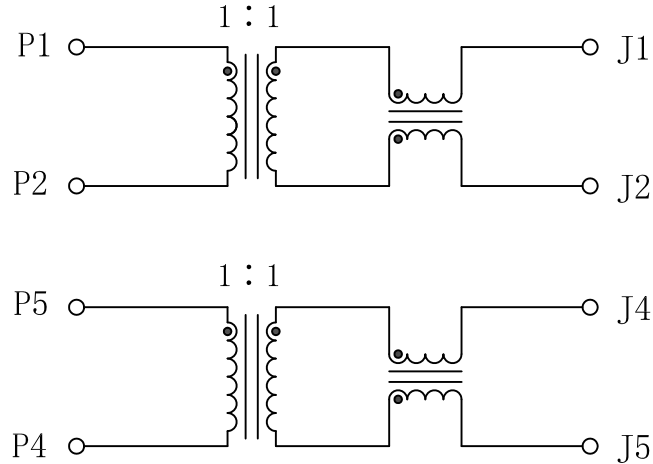


Schematic:

REV.	ECN NO.	DESCRIPTION	DATE	APPD
A	REL		2017-04-18	

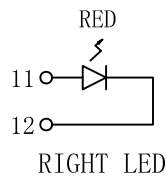
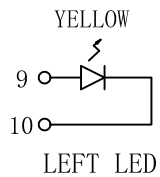
PC BOARD CONNECTIONS



RJ45 CONNECTOR

ELECTRICAL SPECIFICATIONS @25°C

- Turn Ratio ($\pm 3\%$):
 - (P1-P2) : (J1-J2) = 1 : 1
 - (P5-P4) : (J4-J5) = 1 : 1
- Inductance:
 - (P1-P2); (P5-P4): 1.2mH MIN. @0.1V, 100KHz
- Leakage Inductance:
 - (P1-P2) (With J1 and J2 Short): 0.5uH Max. @1MHz
 - (P5-P4) (With J4 and J5 Short): 0.5uH Max. @1MHz
- Interwinding capacitance:
 - (P1, P2) to (J1, J2): 35pF Max. @1MHz
 - (P5, P4) to (J4, J5): 35pF Max. @1MHz
- DC Resistance:
 - (P1-P2); (P5-P4): 0.8 Ω Max
- Return Loss (J1-J2 & J4-J5) @100 Ω Ref:
 - 51KMHz-102KHz: 12dB Min
 - 102KMHz-2.048MHz: 18dB Min
 - 2.048MHz-3.072MHz: 14dB Min
- Hipot Test:
 - (P1-P2) to (J1-J2): 1500VAC.
 - (P5-P4) to (J4-J5): 1500VAC.
- Operating Temperature Range: 0°C TO 70°C



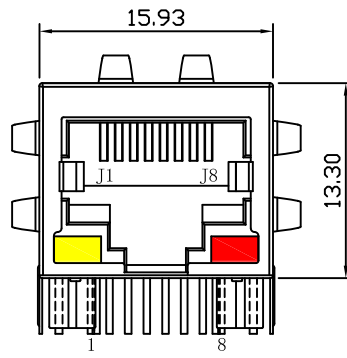
Emitting Color	λ p(nm)	VF@IF=20mA	IR @VR=5V
RED	625	1.8-2.6V	10 μ A max
YELLOW	590	1.8-2.6V	10 μ A max



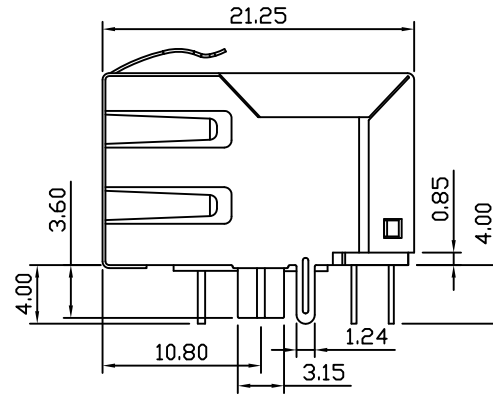
X:X	± 0.30	APPD:	LINK-PP INT'L TECHNOLOGY CO., LIMITED
X:XX	± 0.25	CHKD:	
X:XXX	± 0.05	DR: TOM	TITLE: RJ45 Connector with Integrated Magnetics
ANGLES	$\pm 1^\circ$	UNIT: mm	PART NO. : LPJ0288G6NL
	SCALE: 2/1	SHEET: 1/2	REV: A DWG NO. : LP17041802

Mechanical:

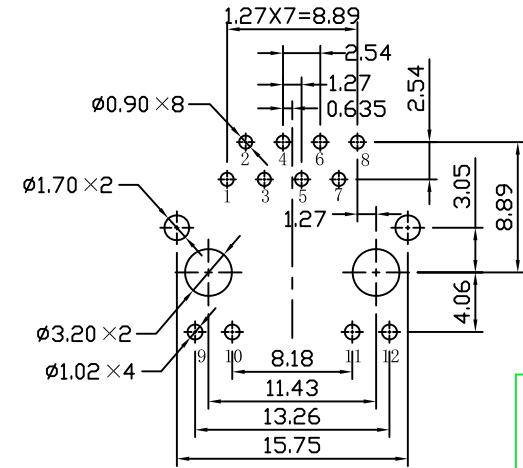
REV.	ECN NO.	DESCRIPTION	DATE	APPD
A	REL		2017-04-18	



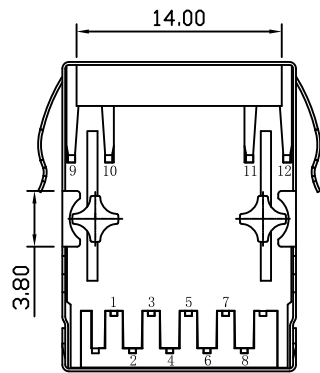
Front Side View



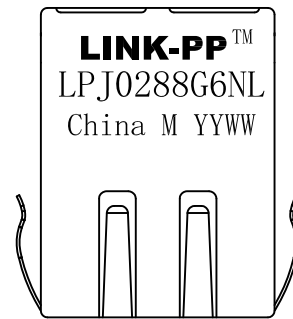
Left Side View



Suggested PCB Layout (Top View)



Bottom Side View



Top Side View

NOTES:

1. Designed to support application, such as SOHO (ADSL modems), LAN-on-Motherboard (LOM), hub and Switches.
2. Meets IEEE 802.3 specification
3. Connector Materials:
 Housing: Thermoplastic PBT+30%G.F UL94V-0
 Contact: Phosphor Bronze C5210R-EH Thickness=0.35mm
 Pins: Brass C2680R-H Thickness=0.35mm
 Shield: SUS 201-1/2H Thickness=0.2mm
 Contact plating: Gold 6 micro-inches min. In contact area.
4. Wave solder tip temperature: 265°C Max, 5 Sec.
5. UL Certification: File Number E484635.

X:X	±0.30	APPD:	LINK-PP INT'L TECHNOLOGY CO., LIMITED	
X:XX	±0.25	CHKD:	TITLE:	
X:XXX	±0.05	DR: TOM	RJ45 Connector with Integrated Magnetics	
ANGLES	±1°	UNIT: mm	PART NO.: LPJ0288G6NL	
	SCALE: 2/1	SHEET: 2/2	REV: A	DWG NO.: LP17041802