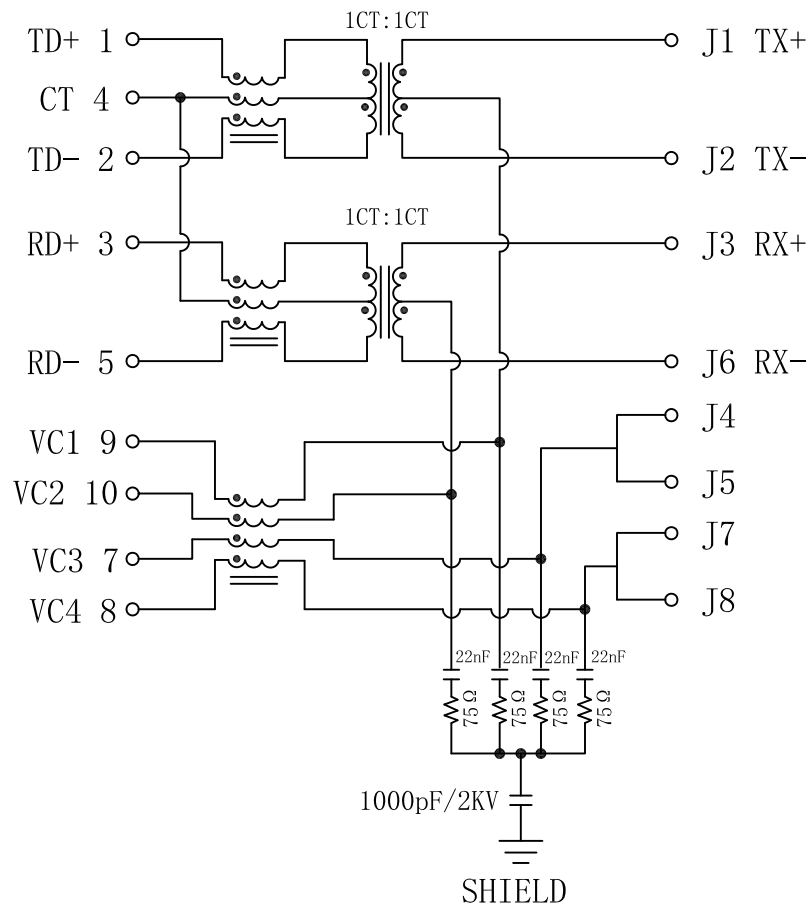


Schematic:

REV.	ECN NO.	DESCRIPTION	DATE	APPD
A	REL		2016/07/07	

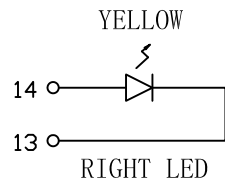
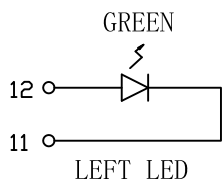
PC BOARD CONNECTIONS



RJ45 CONNECTOR

Electrical Specifications @25°C

- Turns Ratio ($\pm 5\%$) :
TX=1CT : 1CT RX=1CT : 1CT
- Inductance: 350uH Min
@100KHz, 0.1Vrms, 8mA DC Bias
- Insertion Loss:
1-100MHz:-1.2dB Max
- Return Loss(dB Min):
1-30MHz:-16 30-60MHz:-12
60-80MHz:-10
- Crosstalk:
1-100MHz:-30dB Min
- Common to Common Mode Attenuation:
1-100MHz:-30dB Min
- DC Current/Voltage Rating-pse:
350mA @57V(continuous).
- Hipot: 1500Vrms Min
- Operating Temperature: 0°C~70°C.



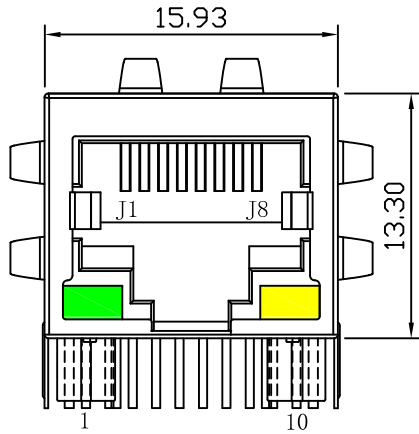
Emitting Color	λ p(nm)	VF@IF=20mA	IR @VR=5V
GREEN	565	1.8~2.6V	10 μ A max
YELLOW	585	1.8~2.6V	10 μ A max



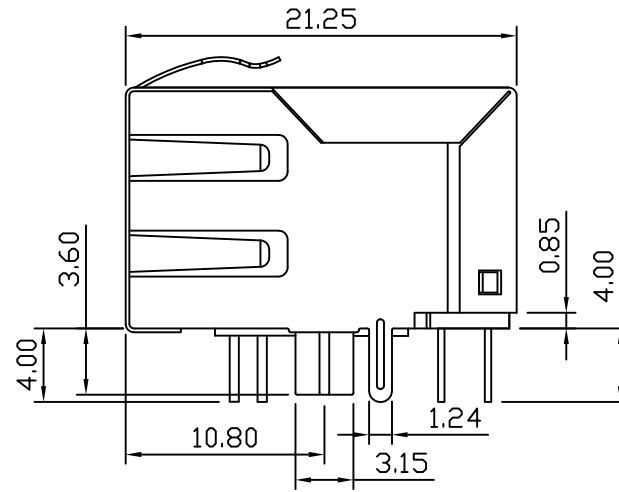
X:X	± 0.30	APPD:	LINK-PP INT'L TECHNOLOGY CO., LIMITED
X:XX	± 0.25	CHKD:	
X:XXX	± 0.05	DR: TOM	TITLE: RJ45 Connector with 10/100 Base-T Integrated Magnetics For PoE Application
ANGLES	$\pm 1^\circ$	UNIT: mm	PART NO. : LPJ0277AHNL
	SCALE: 2/1	SHEET: 1/2	REV: A DWG NO. : LP16070701

Mechanical:

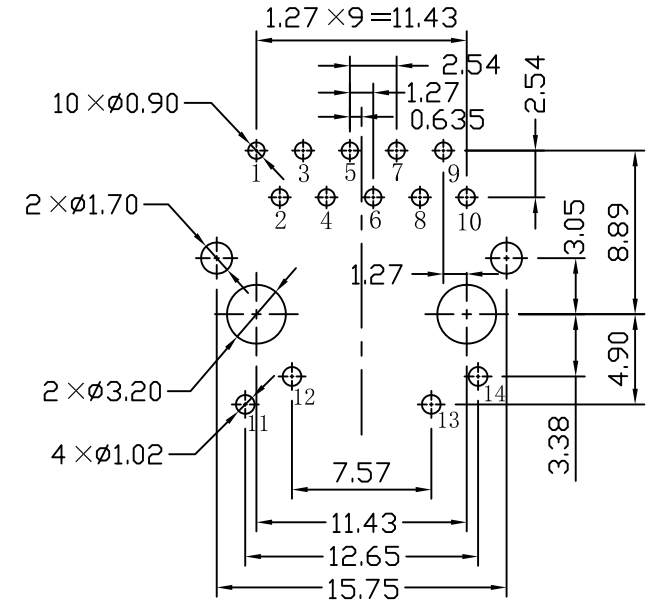
REV.	ECN NO.	DESCRIPTION	DATE	APPD
A	REL		2016/07/07	



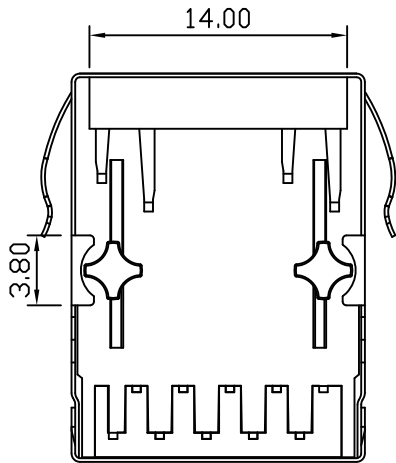
Front Side View



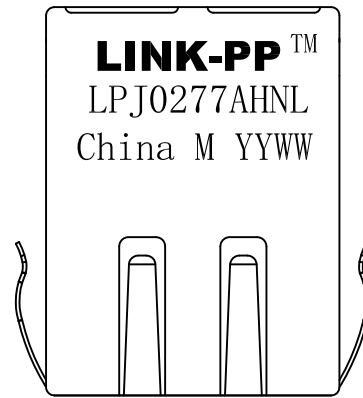
Left Side View



Suggested PCB Layout (Top View)



Bottom Side View



Top Side View

NOTES:

1. Designed to support application, such as SOHO (ADSL modems), LAN-on-Motherboard (LOM), hub and Switches.
2. Meets IEEE 802.3af specification
3. Connector Materials:
 Housing: Thermoplastic PBT+30%G.F UL94V-0
 Contact: Phosphor Bronze C5210R-EH Thickness=0.35mm
 Pins: Brass C2680R-H Thickness=0.35mm
 Shield: SUS 201-1/2H Thickness=0.2mm
 Contact plating: Gold 6 micro-inches min. In contact area.
4. Wave solder tip temperature: 265°C Max, 5 Sec Max.
5. UL Certification: File Number E484635.

X:X ±0.30	APPD:	LINK-PP INT'L TECHNOLOGY CO., LIMITED
X:XX ±0.25	CHKD:	
X:XXX ±0.05	DR: TOM	TITLE: RJ45 Connector with 10/100 Base-T Integrated Magnetics For PoE Application
ANGLES ±1°	UNIT: mm	PART NO.: LPJ0277AHNL
	SCALE: 2/1	SHEET: 2/2
	REV: A	DWG NO.: LP16070701