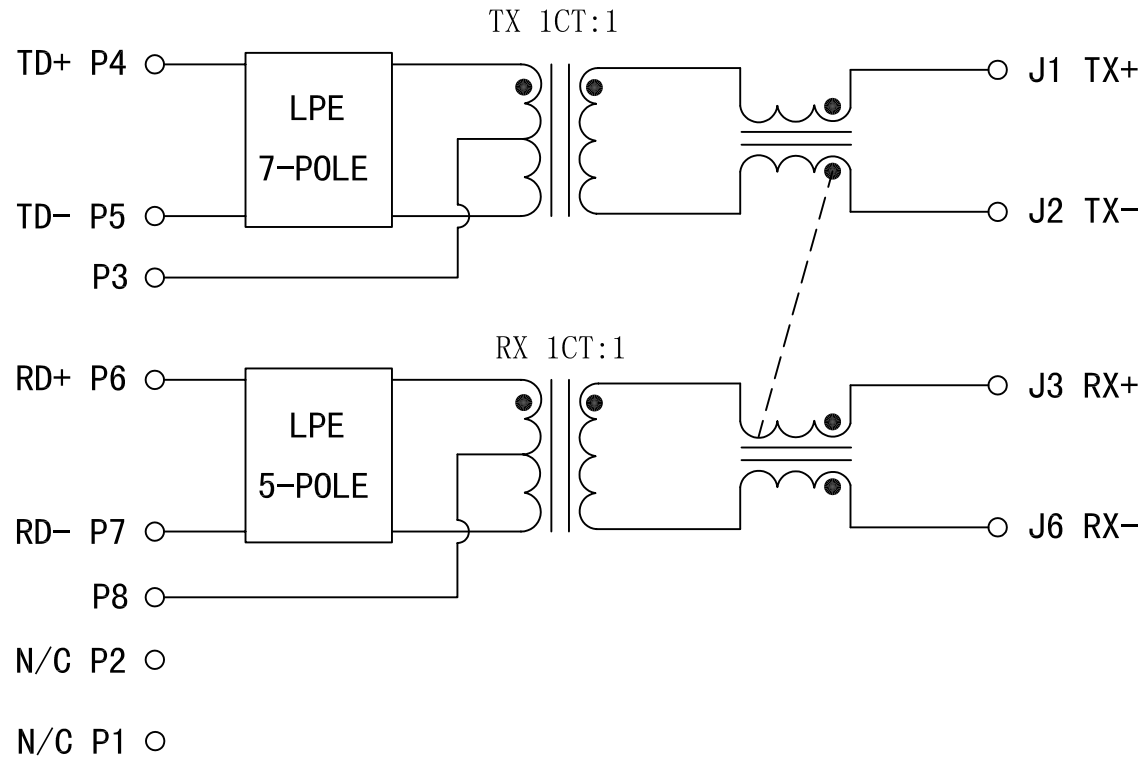


Schematic:

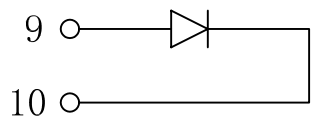
REV.	ECN NO.	DESCRIPTION	DATE	APPD
A	REL		2010/05/12	



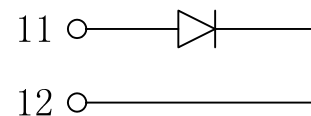
Electrical Specifications @25°C

- Turns Ratio:  
TX=1CT:1      RX=1CT:1
- Return Loss:  
5-10MHz:-15dB MIN
- Crosstalk:  
1-10MHz:-30dB MIN
- Insertion Loss:  
5-10MHz:-1dB MAX
- Attenuation: @30MHz  
TX:-30dB MIN  
RX:-18dB MIN
- Pri Impedance:  
TX: 100Ω      RX:100Ω
- Isolation Voltage: 1500Vrms
- Operating Temp: 0~70°C.

YELLOW/LEFT LED



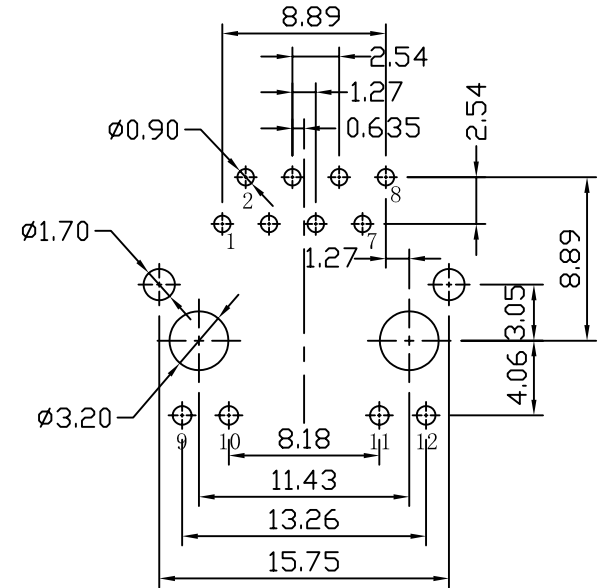
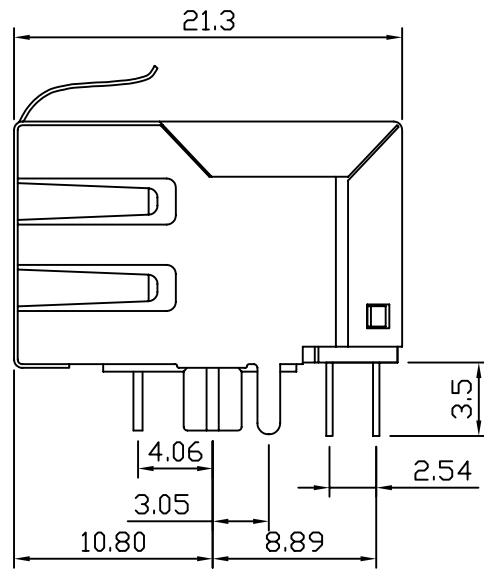
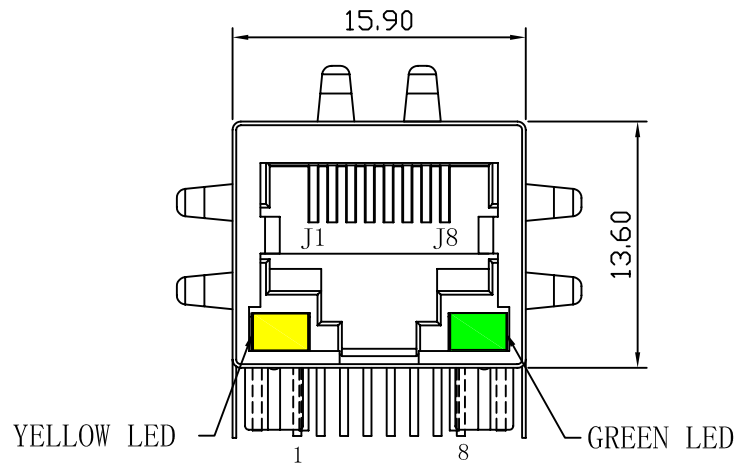
GREEN/RIGHT LED



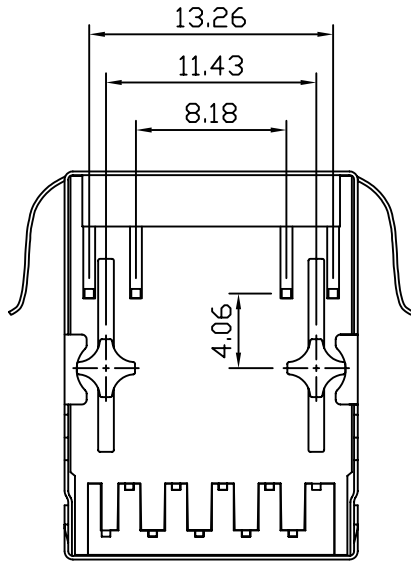
X:X ±0.30	APPD:	LINK-PP INT'L TECHNOLOGY CO., LIMITED
X:XX ±0.20	CHKD:	
X:XXX ±0.05	DR: TOM	
ANGLES ±1°	UNIT: mm	TITLE: RJ45 Connector With 10 Base-TX Integrated Magnetics
		PART NO.: LPJ0215GDNL
	SCALE: 2/1	SHEET: 2/2
		REV: A
		DWG NO.: LP09011406

Mechanical:

REV.	ECN NO.	DESCRIPTION	DATE	APPD
A	REL		2010/05/12	



SUGGESTED PCB LAYOUT (TOP VIEW)



NOTES:

1. Designed to support application, such as SOHO (ADSL modems), LAN-on-Motherboard (LOM), hub and Switches.
2. Meets IEEE 802.3 specification
3. Connector Materials:  
 Housing: Thermoplastic UL94V-0  
 Contact/Shield: Copper alloy  
 Shield plating: Nickel  
 Contact plating: Gold 6 micro-inches min. In contact area.
4. Wave solder tip temperature: 265°C Max  
 Wave solder tip temperature time: 5 Sec Max



X:X ±0.30	APPD:	LINK-PP INT'L TECHNOLOGY CO., LIMITED
X:XX ±0.20	CHKD:	
X:XXX ±0.05	DR: TOM	
ANGLES ±1°	UNIT: mm	TITLE: RJ45 Connector With 10 Base-TX Integrated Magnetics
		PART NO.: LPJ0215GDNL
	SCALE: 2/1	SHEET: 1/2
	REV: A	DWG NO.: LP09011406