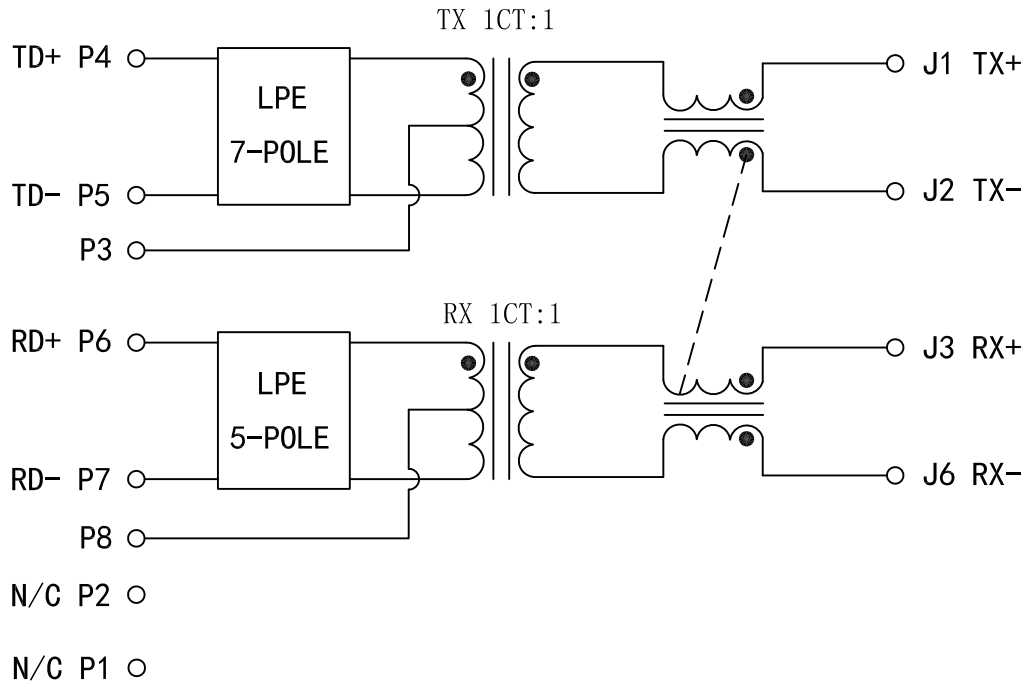


Schematic:

REV.	ECN NO.	DESCRIPTION	DATE	APPD
A	REL		2010/05/12	



Electrical Specifications @25°C

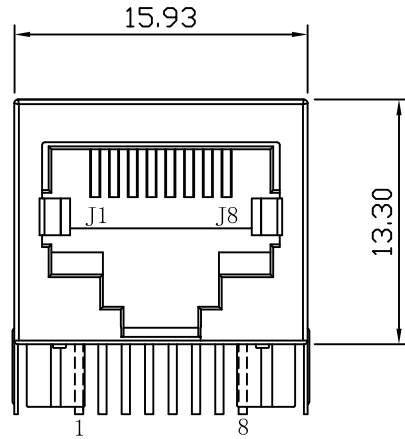
- Turns Ratio:
TX=1CT:1 RX=1CT:1
- Return Loss:
5-10MHz:-15dB MIN
- Crosstalk:
1-10MHz:-30dB MIN
- Insertion Loss:
5-10MHz:-1dB MAX
- Attenuation: @30MHz
TX:-30dB MIN
RX:-18dB MIN
- Impedance:
TX: 100Ω RX:100Ω
- Isolation Voltage: 1500Vrms
- Operating Temp: 0°C ~ 70°C.



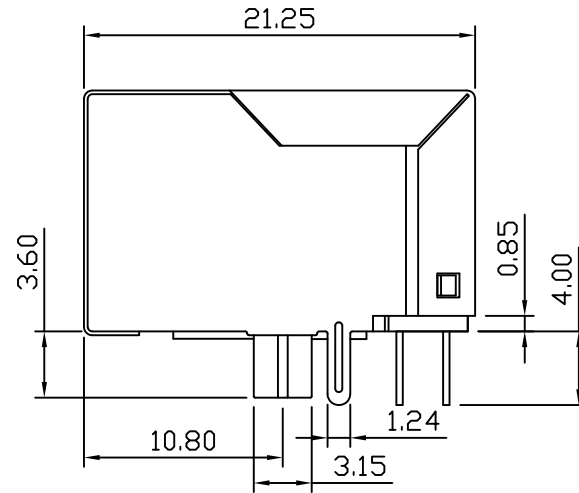
X:X ±0.30	APPD:	LINK-PP INT'L TECHNOLOGY CO., LIMITED
X:XX ±0.25	CHKD:	
X:XXX ±0.05	DR: TOM	
ANGLES ±1°	UNIT: mm	TITLE: RJ45 Connector With 10 Base-TX Integrated Magnetics
		PART NO.: LPJ0215GDNL
	SCALE: 2/1	SHEET: 1/2
	REV: A	DWG NO.: LP09011406

Mechanical:

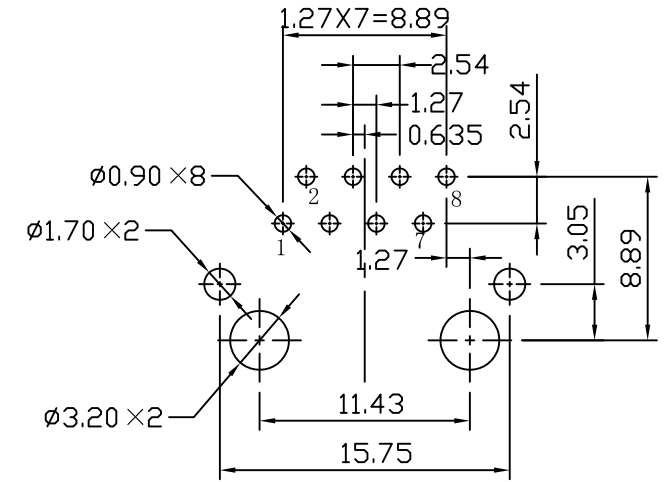
REV.	ECN NO.	DESCRIPTION	DATE	APPD
A	REL		2010/05/12	



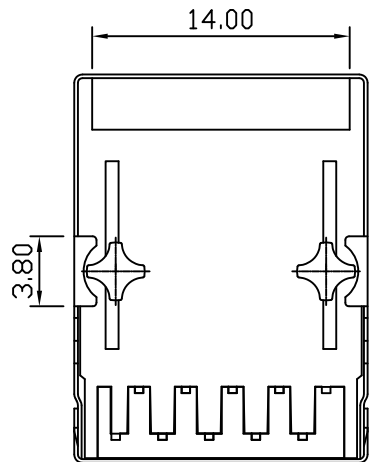
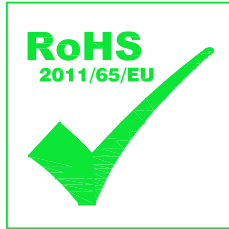
Front Side View



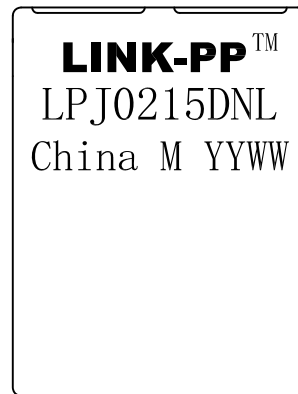
Left Side View



Suggested PCB Layout (Top View)



Bottom Side View



Top Side View

NOTES:

1. Designed to support application, such as SOHO (ADSL modems), LAN-on-Motherboard (LOM), hub and Switches.
2. Meets IEEE 802.3 specification
3. Connector Materials:
 Housing: Thermoplastic PBT+30%G.F UL94V-0
 Contact: Phosphor Bronze C5210R-EH Thickness=0.35mm
 Pins: Brass C2680R-H Thickness=0.35mm
 Shield: SUS 201-1/2H Thickness=0.2mm
 Contact plating: Gold 6 micro-inches min. In contact area.
4. Wave solder tip temperature: 265°C Max, 5 Sec Max.

X:X ±0.30	APPD:	LINK-PP INT'L TECHNOLOGY CO., LIMITED		
X:XX ±0.25	CHKD:			
X:XXX ±0.05	DR: TOM	TITLE: RJ45 Connector With 10 Base-TX Integrated Magnetics		
ANGLES ±1°	UNIT: mm	PART NO.: LPJ0215DNL		
	SCALE: 2/1	SHEET: 2/2	REV: A	DWG NO.: LP09011406