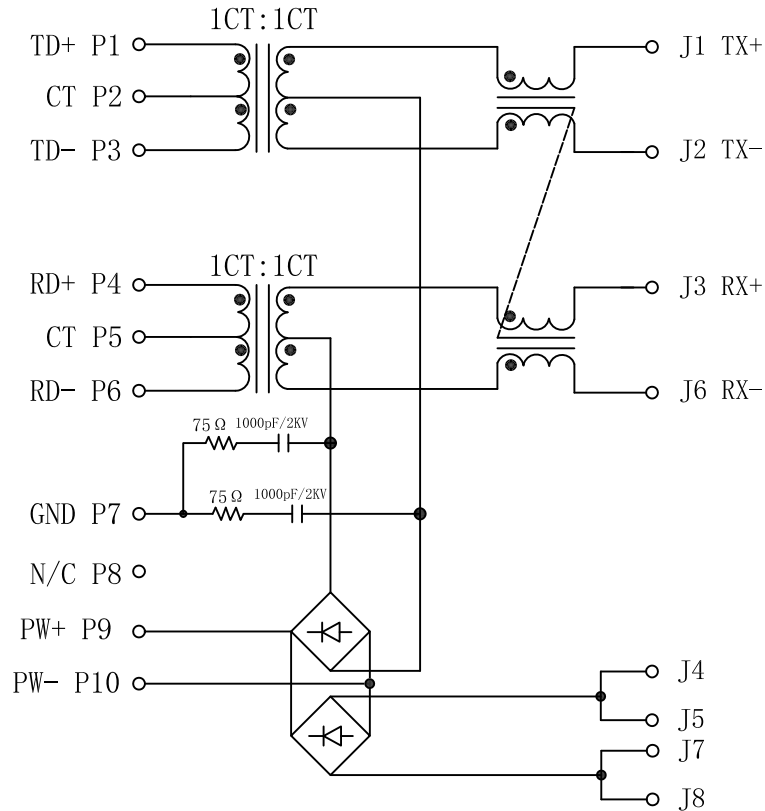


Schematic:

REV.	ECN NO.	DESCRIPTION	DATE	APPD
A	REL		2015-01-22	

PC BOARD CONNECTIONS



RJ45 CONNECTOR

ELECTRICAL SPECIFICATIONS @25°C

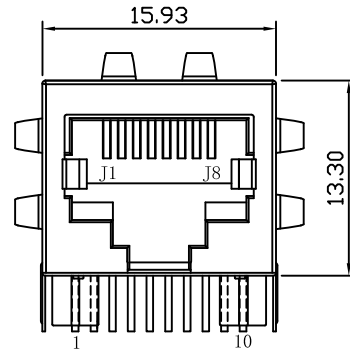
- Turn Ratio(100KHz, 0.1V):
PINS: (1-3) : (J1-J2)=1 : 1 ±3%
PINS: (4-6) : (J3-J6)=1 : 1 ±3%
- OCL(@100KHz, 100mV, 8mA DC Bias):
PINS: (1-3), (4-6)=350uH MIN
- Insertion Loss:
-1.1dB MAX @ 0.1~100MHz
- Return Loss:
-18dB MIN @ 0.5~30MHz
-15.5dB MIN @ 40MHz
-13.6dB MIN @ 50MHz
-12dB MIN @ 60~80MHz
- Cross talk:
-40dB TYP @ 0.1~100MHz
- Common Mode Rejection:
-50dB TYP @ 0.1~30MHz
-40dB TYP @ 30~60MHz
-35dB TYP @ 60~100MHz
- Hipot Test: 1500Vrms
- Operating Temperature: 0°C to 70°C.



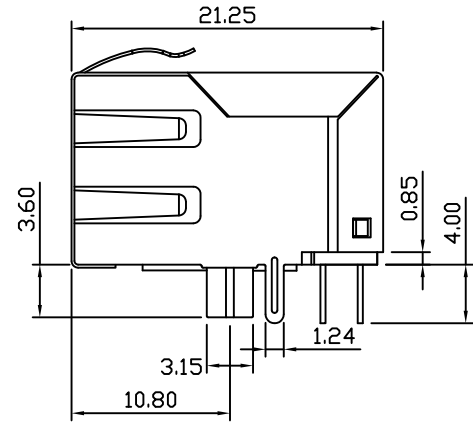
X:X	±0.30	APPD:	LINK-PP INT'L TECHNOLOGY CO., LIMITED
X:XX	±0.25	CHKD:	
X:XXX	±0.05	DR: TOM	
ANGLES ±1°		UNIT: mm	PART NO.: LPJ0190CNL
	SCALE: 2/1	SHEET: 1/2	REV: A
		DWG NO.:	LP15012245

Mechanical:

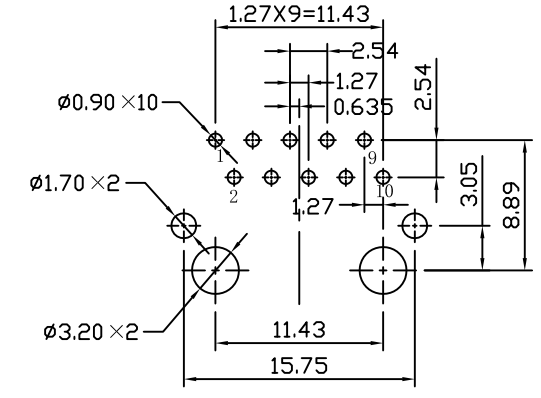
REV.	ECN NO.	DESCRIPTION	DATE	APPD
A	REL		2015-01-22	



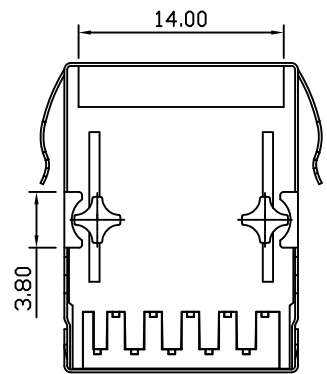
Front Side View



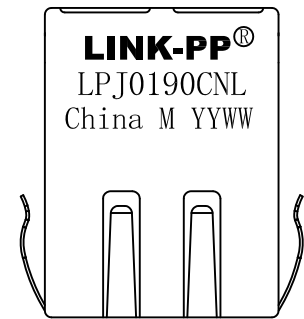
Left Side View



Suggested PCB Layout (Top View)



Bottom Side View



Top Side View

NOTES:

1. Designed to support application, such as SOHO (ADSL modems), LAN-on-Motherboard (LOM), hub and Switches.
2. Designed for PoE, IEEE802.3af applications
3. Power on used or unused pairs for up to 350mADC.
4. Connector Materials:
 Housing: Thermoplastic PBT+30%G.F UL94V-0
 Contact: Phosphor Bronze C5210R-EH Thickness=0.35mm
 Pins: Brass C2680R-H Thickness=0.35mm
 Shield: SUS 201-1/2H Thickness=0.2mm
 Contact plating: Gold 6 micro-inches min. In contact area.
5. Wave solder tip temperature: 265°C Max, 5 Sec.
6. UL Certification: File Number E484635.

X:X ±0.30	APPD:	LINK-PP INT'L TECHNOLOGY CO., LIMITED
X:XX ±0.25	CHKD:	
X:XXX ±0.05	DR: TOM	TITLE: RJ45 Connector with 10/100 Base-T Integrated Magnetics For PoE Application
ANGLES ±1°	UNIT: mm	PART NO.: LPJ0190CNL
	SCALE: 2/1	SHEET: 2/2
	REV: A	DWG NO.: LP15012245