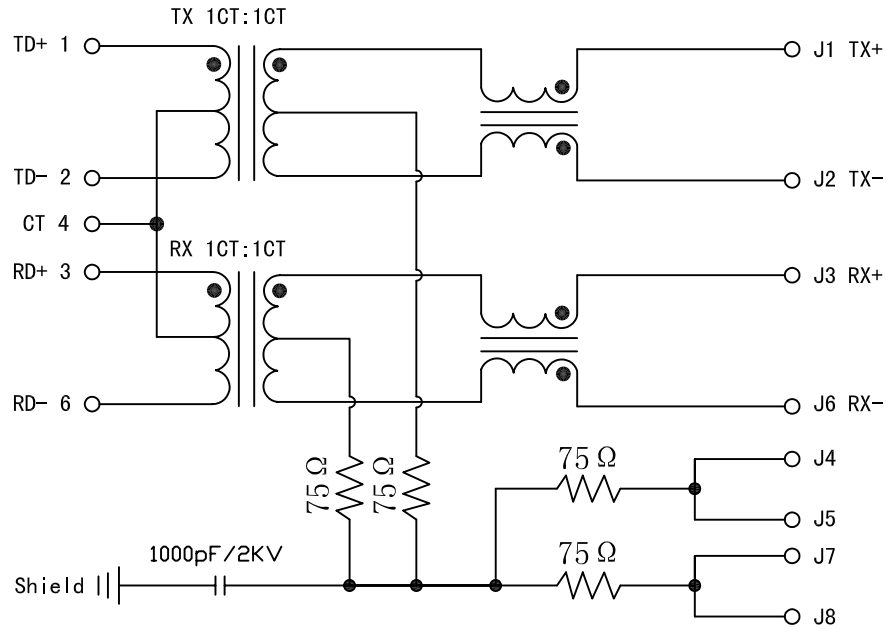


Schematic:

REV.	ECN NO.	DESCRIPTION	DATE	APPD
A	REL		2011/04/21	

PCB SIDE TO PHY

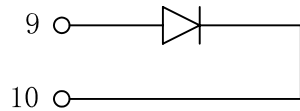


CABLE SIDE

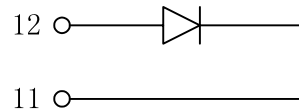
Electrical Specifications @25°C

- Turns Ratio ($\pm 5\%$):
TX=1CT:1CT RX=1CT:1CT
- Inductance: 350uH min
@100KHz, 0.1V, 8mA DC Bias
- Insertion Loss:
0.3-100MHz: -1.15dB Max
- Return Loss (dB Min):
30MHz: -16 40MHz: -14
50MHz: -13.5 60MHz: -13
80MHz: -10
- Crosstalk (dB Min):
0.3-30MHz: -40 30-60MHz: -35
60-100MHz: -30
- CMR: (dB Min):
1-30MHz: -30 30-60MHz: -25
60-125MHz: -20
- Hipot: 1500Vrms @60Hz 1 MIN
- Operating Temperature: 0°C ~ 70°C.

YELLOW/LEFT LED



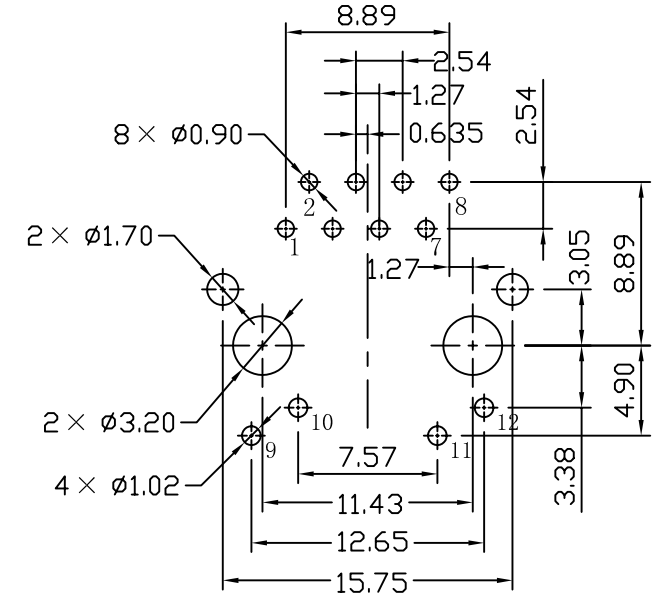
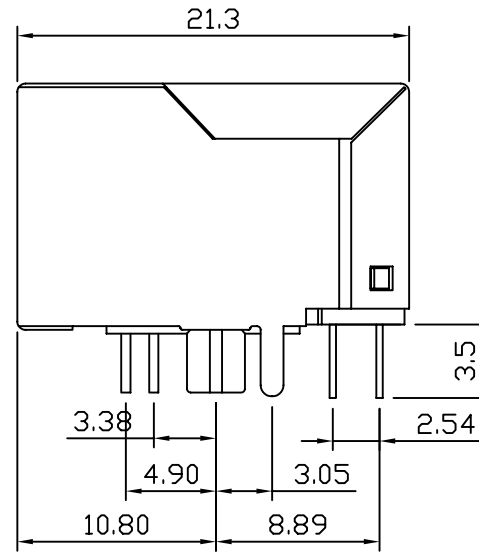
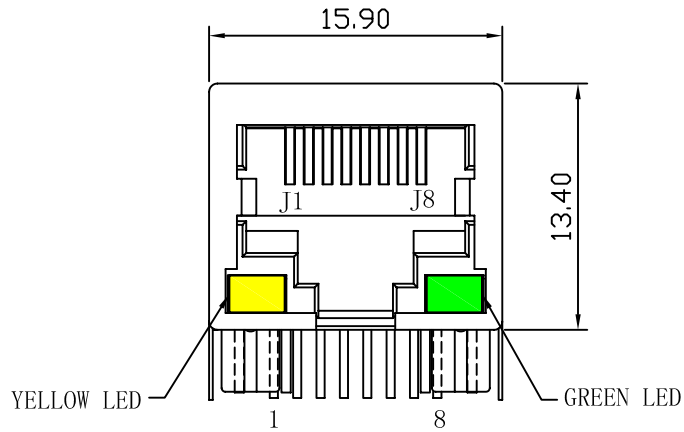
GREEN/RIGHT LED



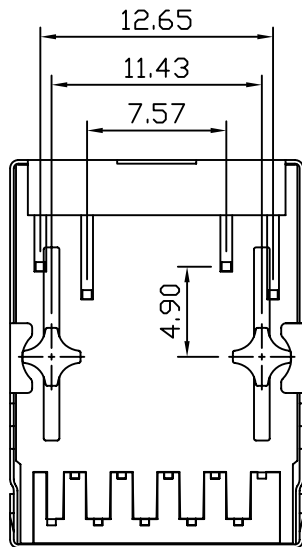
X:X ±0.25	APPD:	LINK-PP INT'L TECHNOLOGY CO., LIMITED		
X:XX ±0.20	CHKD:	TITLE: RJ45 Connector with 10/100 Base-T Integrated Magnetics		
X:XXX ±0.05	DR: TOM	PART NO.: LPJ0182BANL		
ANGLES ±1°	UNIT: mm			
	SCALE: 2/1	SHEET: 1/2	REV: A	DWG NO.: LP11042103

Mechanical:

REV.	ECN NO.	DESCRIPTION	DATE	APPD
A	REL		2011/04/21	



SUGGESTED PCB LAYOUT (TOP VIEW)



NOTES:

1. Designed to support application, such as SOHO (ADSL modems), LAN-on-Motherboard (LOM), hub and Switches.
2. Meets IEEE 802.3 specification
3. Connector Materials:
 Housing: Thermoplastic UL94V-0
 Contact/Shield: Copper alloy
 Shield plating: Nickel
 Contact plating: Gold 6 micro-inches min. In contact area.
4. Wave solder tip temperature: 265°C Max
 Wave solder tip temperature time: 5 Sec Max



X:X ±0.25	APPD:	LINK-PP INT'L TECHNOLOGY CO., LIMITED
X:XX ±0.20	CHKD:	
X:XXX ±0.05	DR: TOM	TITLE: RJ45 Connector with 10/100 Base-T Integrated Magnetics
ANGLES ±1°	UNIT: mm	PART NO.: LPJ0182BANL
	SCALE: 2/1	SHEET: 2/2
	REV: A	DWG NO.: LP11042103