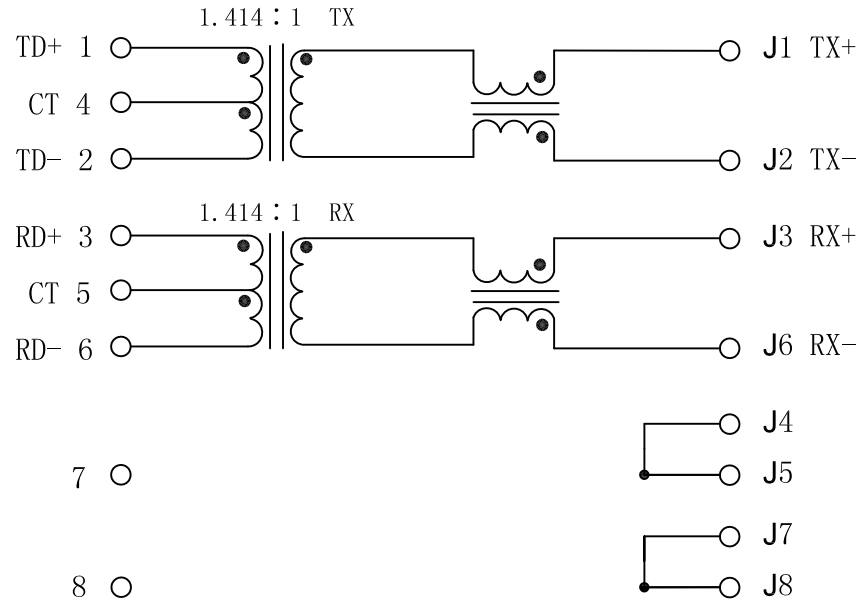


Schematic:

REV.	ECN NO.	DESCRIPTION	DATE	APPD
A	REL		2010/08/03	

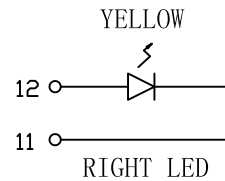
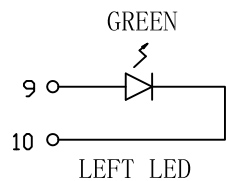
PC BOARD CONNECTIONS



RJ45 CONNECTOR

Electrical Specifications @25°C

- Turns Ratio:
TX=1.414CT : 1 RX=1.414CT : 1
- Inductance: 350uH Min
@100KHz, 0.1Vrms, 8mA DC Bias
- Insertion Loss:
100KHz: -1.2dB Max
1-125MHz:-1.0dB Max
- Return Loss(dB Min @100±15Ω):
0.1-30MHz:-16
30-60MHz:-10+20LOG(f/60MHz)
60-80MHz:-10
- Crosstalk(dB Min):
1MHz:-50
10-100MHz:-50+17LOG(f/10)
- Common Mode Rejection Ratio:(dB Min):
2MHz:-50
30-200MHz:-15+20LOG(f/200)
- Hipot: 1500Vrms Min
- Operating Temperature: 0°C~70°C.



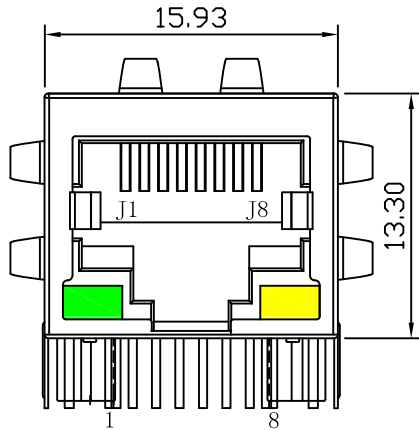
Emitting Color	λ p(nm)	VF@IF=20mA	IR @VR=5V
GREEN	565	1.8~2.6V	10 μ A max
YELLOW	585	1.8~2.6V	10 μ A max



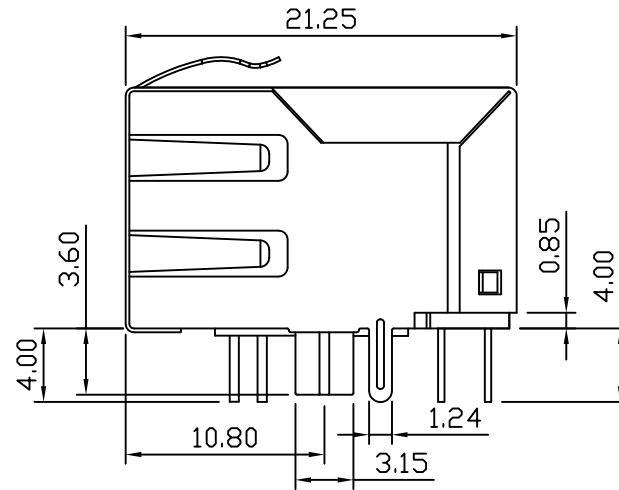
X:X ±0.30	APPD:	LINK-PP INT'L TECHNOLOGY CO., LIMITED		
X:XX ±0.25	CHKD:			
X:XXX ±0.05	DR: TOM	TITLE: RJ45 Connector with 10/100 Base-T Integrated Magnetics		
ANGLES ±1°	UNIT: mm	PART NO.: LPJ0165ABNL		
	SCALE: 2/1	SHEET: 1/2	REV: A	DWG NO.: LP10090803

Mechanical:

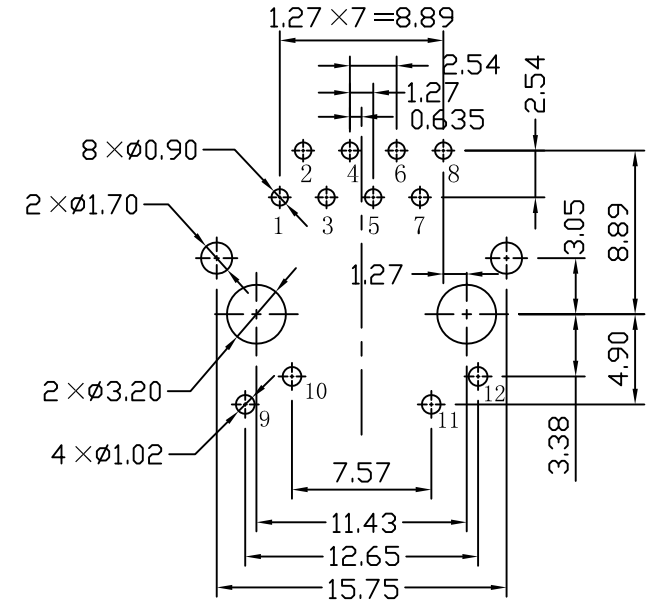
REV.	ECN NO.	DESCRIPTION	DATE	APPD
A	REL		2010/08/03	



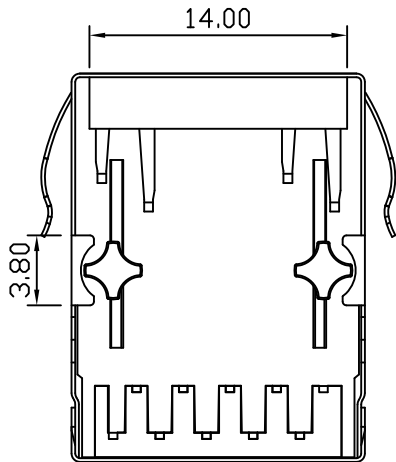
Front Side View



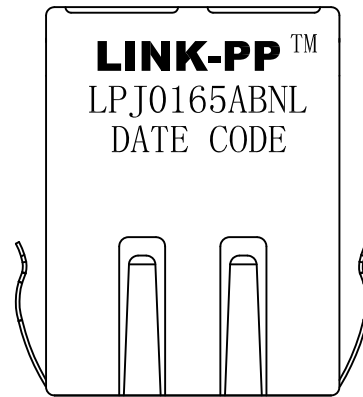
Left Side View



Suggested PCB Layout (Top View)



Bottom Side View



Top Side View

NOTES:

1. Designed to support application, such as SOHO (ADSL modems), LAN-on-Motherboard (LOM), hub and Switches.
2. Meets IEEE 802.3 specification
3. Connector Materials:
 Housing: Thermoplastic PBT+30%G.F UL94V-0
 Contact: Phosphor Bronze C5210R-EH Thickness=0.35mm
 Pins: Brass C2680R-H Thickness=0.35mm
 Shield: SUS 201-1/2H Thickness=0.2mm
 Contact plating: Gold 6 micro-inches min. In contact area.
4. Wave solder tip temperature: 265°C Max, 5 Sec Max

X:X	±0.30	APPD:	LINK-PP INT'L TECHNOLOGY CO., LIMITED	
X:XX	±0.25	CHKD:	TITLE: RJ45 Connector with 10/100 Base-T Integrated Magnetics	
X:XXX	±0.05	DR: TOM	PART NO.: LPJ0165ABNL	
ANGLES	±1°	UNIT: mm	DWG NO.: LP10090803	
	SCALE: 2/1	SHEET: 2/2	REV: A	