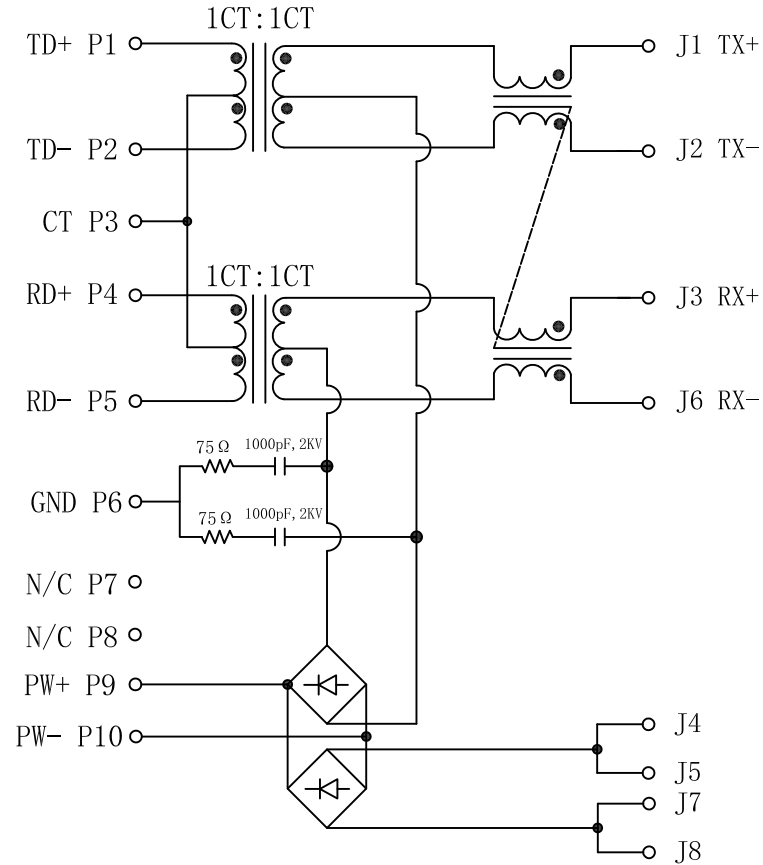


Schematic:

REV.	ECN NO.	DESCRIPTION	DATE	APPD
A	REL		2019-03-05	

PC BOARD CONNECTIONS



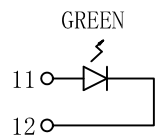
RJ45 CONNECTOR

ELECTRICAL SPECIFICATIONS @25°C

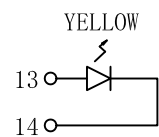
- Turn Ratio:
(P1-P2:J1-J2) = 1CT:1CT ±3%
(P4-P5:J3-J6) = 1CT:1CT ±3%
- OCL (@100KHz, 0.1Vrms, 8mA):
(P1-P2, P4-P5) 350uH Min
- Insertion Loss:
0.1-100MHz: -1.1dB Max
- Return Loss:
0.5-30MHz: -18dB Min
40MHz: -15.5dB Min
50MHz: -13.6dB Min
60-80MHz: -12dB Min
- Cross talk:
0.1-100MHz: -40dB Typ
- Common Mode Rejection:
0.1-30MHz: -50dB Typ
30-60MHz: -40dB Typ
60-100MHz: -35dB Typ
- Isolation: 1500Vrms
- Operating Temperature: 0°C to 70°C.



Emitting Color	λ p(nm)	VF@IF=20mA	IR @VR=5V
GREEN	565	1.8~2.6V	10 μ A max
YELLOW	585	1.8~2.6V	10 μ A max



LEFT LED

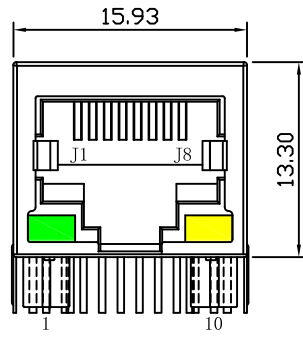


RIGHT LED

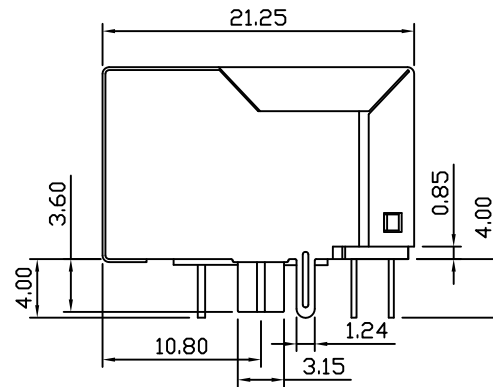
X:X ±0.30	APPD:	LINK-PP INT'L TECHNOLOGY CO., LIMITED
X:XX ±0.25	CHKD:	
X:XXX ±0.05	DR: TOM	TITLE: RJ45 Connector with 10/100 Base-T Integrated Magnetics For PoE Application
ANGLES ±1°	UNIT: mm	PART NO.: LPJ0155HENL
	SCALE: 2/1	SHEET: 1/2
	REV: A	DWG NO.: LP19030516

Mechanical:

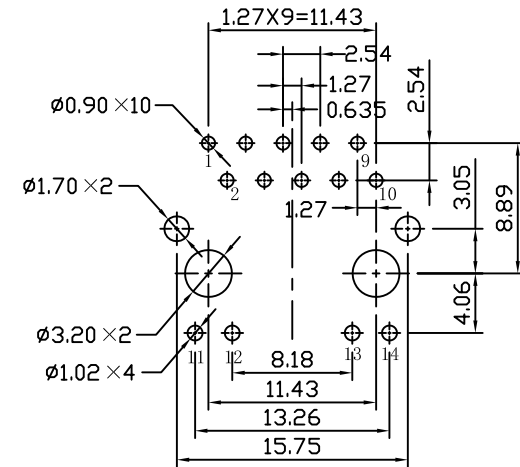
REV.	ECN NO.	DESCRIPTION	DATE	APPD
A	REL		2019-03-05	



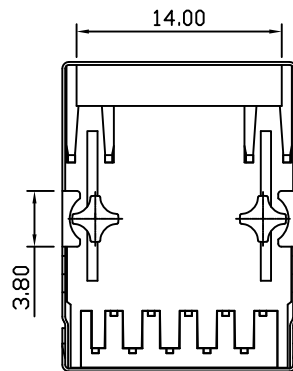
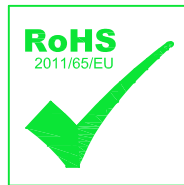
Front Side View



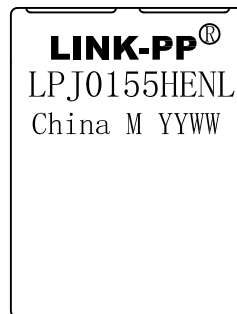
Left Side View



Suggested PCB Layout (Top View)



Bottom Side View



Top Side View

NOTES:

1. Designed to support application, such as SOHO (ADSL modems), LAN-on-Motherboard (LOM), hub and Switches.
2. Designed for PoE, IEEE802.3af applications
3. Power on used or unused pairs for up to 350mADC.
4. Connector Materials:
 Housing: Thermoplastic PBT+30%G.F UL94V-0
 Contact: Phosphor Bronze C5210R-EH Thickness=0.35mm
 Pins: Brass C2680R-H Thickness=0.35mm
 Shield: SUS 201-1/2H Thickness=0.2mm
 Contact plating: Gold 6 micro-inches min. In contact area.
5. Wave solder tip temperature: 265°C Max, 5 Sec.
6. UL Certification: File Number E484635.

X:X ±0.30	APPD:	LINK-PP INT'L TECHNOLOGY CO., LIMITED
X:XX ±0.25	CHKD:	
X:XXX ±0.05	DR: TOM	TITLE: RJ45 Connector with 10/100 Base-T Integrated Magnetics For PoE Application
ANGLES ±1°	UNIT: mm	PART NO.: LPJ0155HENL
	SCALE: 2/1	SHEET: 2/2
	REV: A	DWG NO.: LP19030516