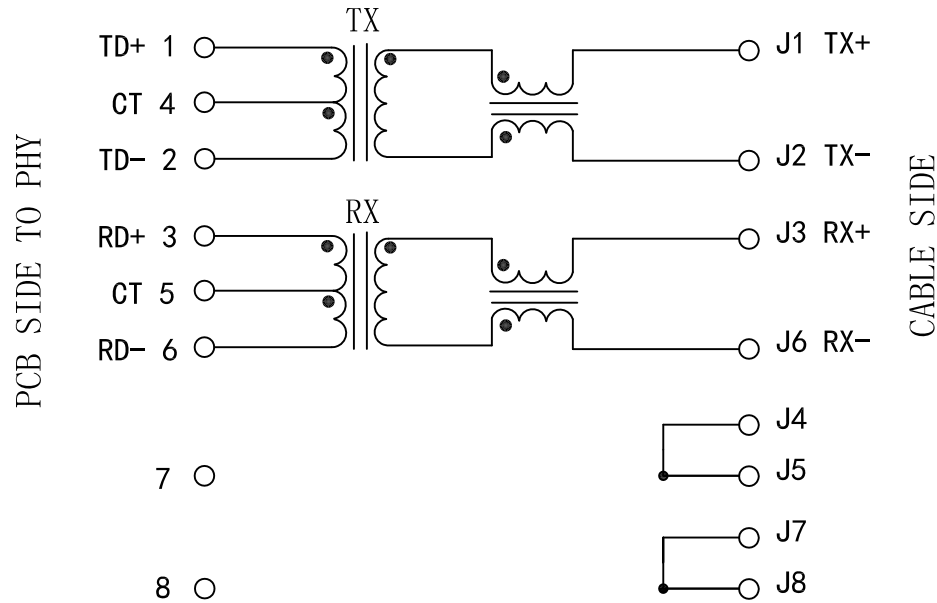


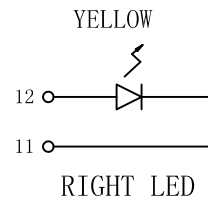
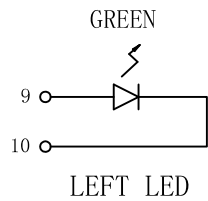
Schematic:

REV.	ECN NO.	DESCRIPTION	DATE	APPD
A	REL		16/05/2009	



Electrical Specifications @25°C

- Turns Ratio:
TX=1CT:1 RX=1CT:1
- Inductance:
350uH Min @100KHz, 0.1V, 8mA
- Insertion Loss:
1-65MHz: -1.0dB Max
- Return Loss (dB Min @100Ω ±15Ω):
1-10MHz: -18 10-30MHz: -14
30-60MHz: -12 60-80MHz: -10
- Crosstalk (dB Min):
1-30MHz: -35 30-60MHz: -35
60-100MHz: -30
- CMR: (dB Min):
1-50MHz: -20 50-150MHz: -15
- Hipot: 1500Vrms @60Hz 1 MIN
- Operating Temperature: 0°C ~ 70°C.



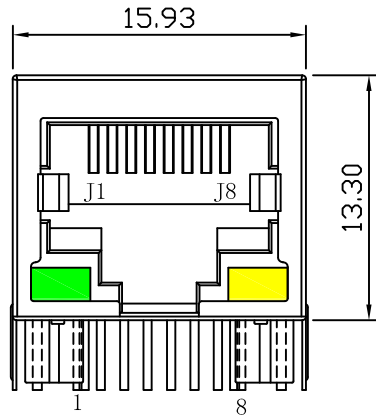
Emitting Color	λ p(nm)	VF@IF=20mA	IR @VR=5V
GREEN	565	1.8~2.4V	10 μ A max
YELLOW	585	1.8~2.4V	10 μ A max



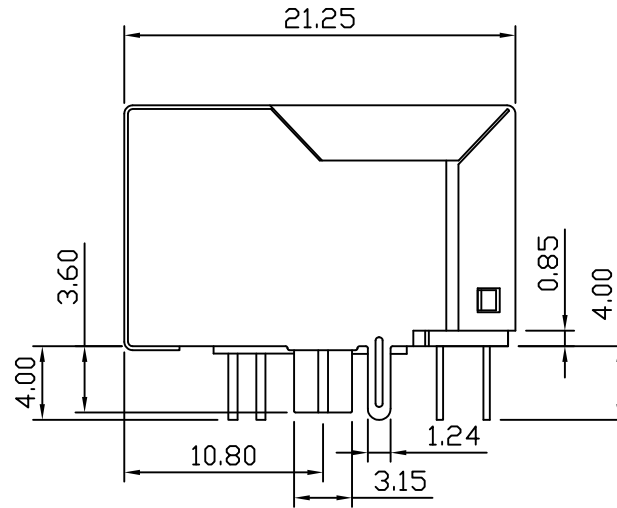
X:X	±0.30	APPD:	LINK-PP INT'L TECHNOLOGY CO., LIMITED	
X:XX	±0.25	CHKD:	TITLE: RJ45 Connector with 10/100 Base-T Integrated Magnetics	
X:XXX	±0.05	DR: TOM		
ANGLES	±1°	UNIT: mm	PART NO.: LPJ0113BBNL	
	SCALE: 2/1	SHEET: 1/2	REV: A	DWG NO.: LP09051615

Mechanical:

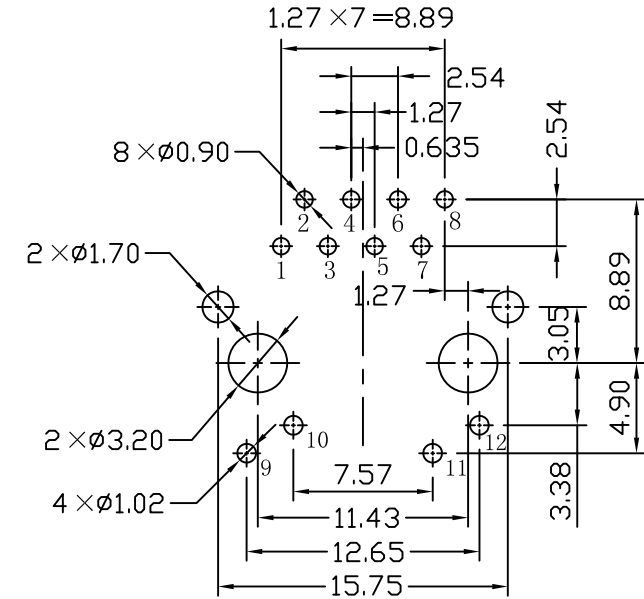
REV.	ECN NO.	DESCRIPTION	DATE	APPD
A	REL		16/05/2009	



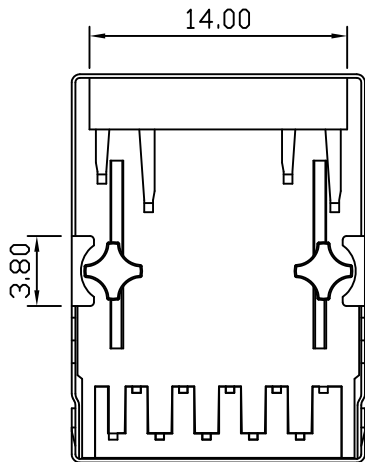
Front Side View



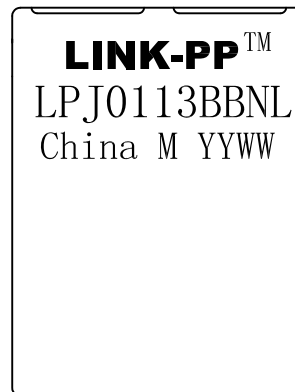
Left Side View



Suggested PCB Layout (Top View)



Bottom Side View



Top Side View

NOTES:

1. Designed to support application, such as SOHO (ADSL modems), LAN-on-Motherboard (LOM), hub and Switches.
2. Meets IEEE 802.3 specification
3. Connector Materials:
 Housing Material: Thermoplastic PBT+30%G.F UL94V-0
 Contact Material: Phosphor Bronze C5210R-EH Thickness=0.35mm
 Pins: Brass C2680R-H Thickness=0.35mm
 Shield: SUS 201-1/2H Thickness=0.2mm
 Contact plating: Gold 6 micro-inches min. In contact area.
4. Wave solder tip temperature: 265°C Max, 5 Sec Max

X:X	±0.30	APPD:	LINK-PP INT'L TECHNOLOGY CO., LIMITED	
X:XX	±0.25	CHKD:	TITLE: RJ45 Connector with 10/100 Base-T Integrated Magnetics	
X:XXX	±0.05	DR: TOM	PART NO.: LPJ0113BBNL	
ANGLES	±1°	UNIT: mm	DWG NO.: LP09051615	
	SCALE: 2/1	SHEET: 2/2	REV: A	