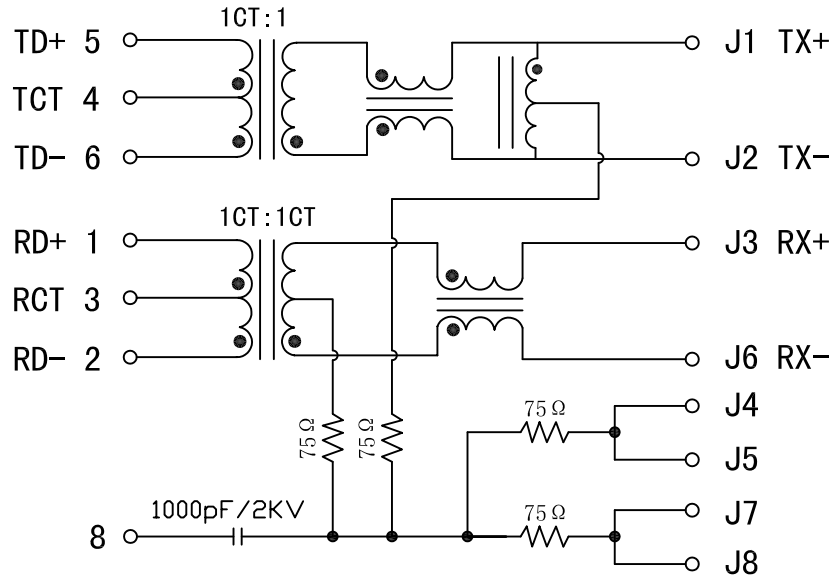


Schematic:

REV.	ECN NO.	DESCRIPTION	DATE	APPD
A	REL		2012/05/26	

PCB CONNECTIONS



RJ45 CONNECTOR

ELECTRICAL SPECIFICATIONS @25°C

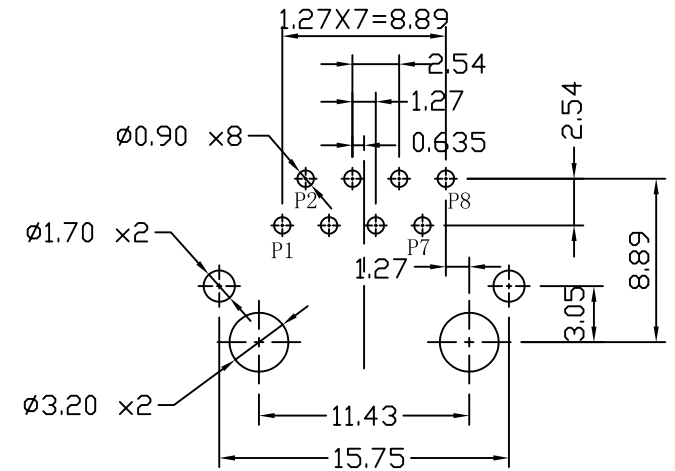
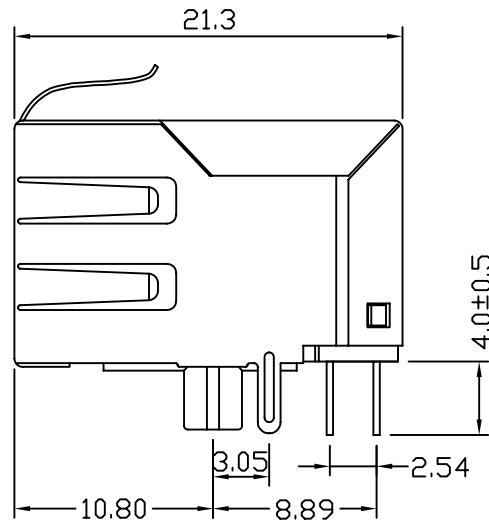
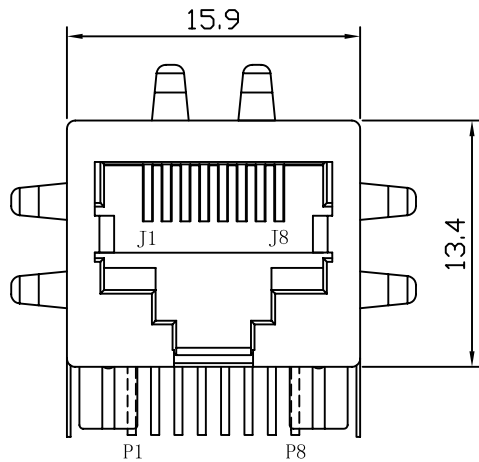
- Turn Ratio:  
TX=1CT : 1      RX=1CT : 1CT
- Inductance OCL: 350uH MIN  
@100KHz, 0.1Vrms, 8mA DC Bias
- Insertion Loss:  
-1.1dB MAX @ 0.5~100MHz
- Return Loss:  
-18dB MIN @ 0.5~30MHz  
-[18-20LOG(f/30)]dB MIN @ 30.1~60MHz  
-12dB MIN @ 60.1~80MHz
- Cross talk:  
-35dB MIN @ 0.5~40MHz  
-[33-20LOG(f/50)]dB MIN @ 40.1~100MHz
- Common Mode Rejection Ratio(CMRR):  
-30dB MIN @ 0.5~100MHz
- Hipot Test: 1500Vrms MIN
- Operating Temperature Range: 0°C TO 70°C



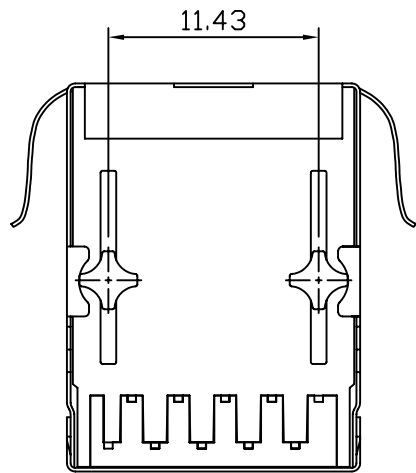
X:X ±0.25	APPD:	LINK-PP INT'L TECHNOLOGY CO., LIMITED		
X:XX ±0.10	CHKD:	TITLE: RJ45 Connector with 10/100 Base-TX Integrated Magnetics		
X:XXX ±0.05	DR: TOM	PART NO. : LPJ0108CNL		
ANGLES ±1°	UNIT: mm			
	SCALE: 2/1	SHEET: 1/2	REV: A	DWG NO. : LP12052610

Mechanical:

REV.	ECN NO.	DESCRIPTION	DATE	APPD
A	REL		2012/05/26	



SUGGESTED PCB LAYOUT(TOP VIEW)



NOTES:

1. Designed to support application, such as SOHO (ADSL modems), LAN-on-Motherboard (LOM), hub and Switches.
2. Meets IEEE 802.3 specification
3. Connector Materials:  
 Housing: Thermoplastic UL94V-0  
 Contact/Shield: Copper alloy  
 Shield plating: Nickel  
 Contact plating: Gold 6 micro-inches min. In contact area.
4. Wave solder tip temperature: 265°C Max  
 Wave solder tip temperature time: 5 Sec Max



X:X ±0.25	APPD:	LINK-PP INT'L TECHNOLOGY CO., LIMITED
X:XX ±0.10	CHKD:	
X:XXX ±0.05	DR: TOM	TITLE: RJ45 Connector with 10/100 Base-TX Integrated Magnetics
ANGLES ±1°	UNIT: mm	PART NO.: LPJ0108CNL
	SCALE: 2/1	SHEET: 2/2
	REV: A	DWG NO.: LP12052610