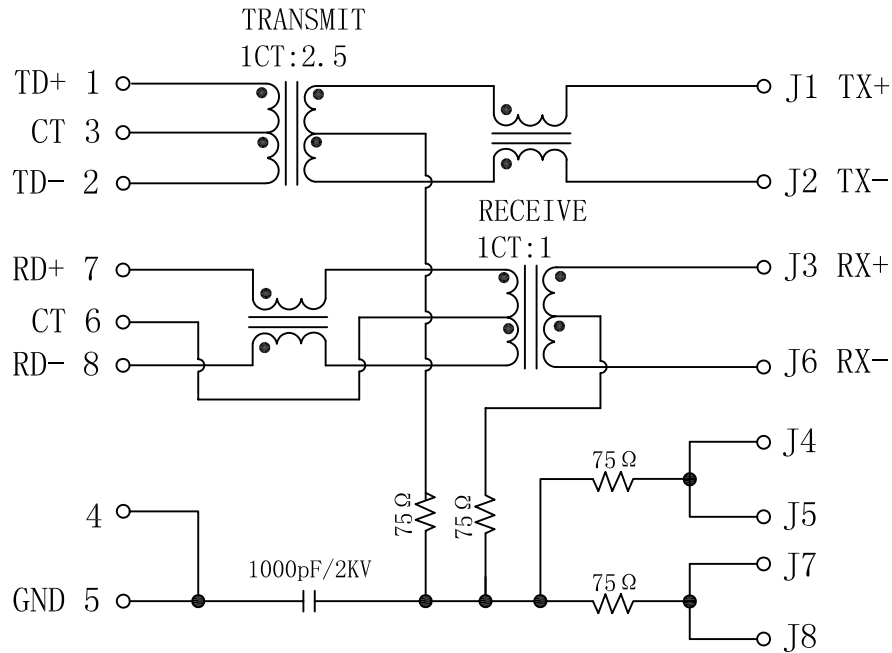


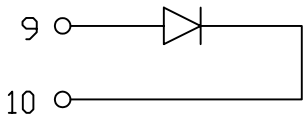
Schematic:

REV.	ECN NO.	DESCRIPTION	DATE	APPD
A	REL		2009/12/17	

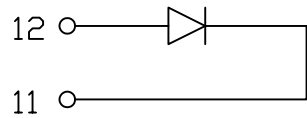
PC BOARD CONNECTIONS



GREEN/LEFT LED



YELLOW/RIGHT LED



RJ45 CONNECTOR

Electrical Specifications @25°C

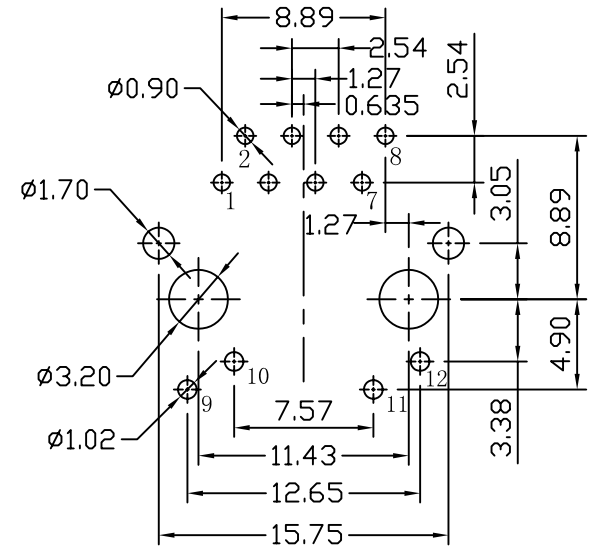
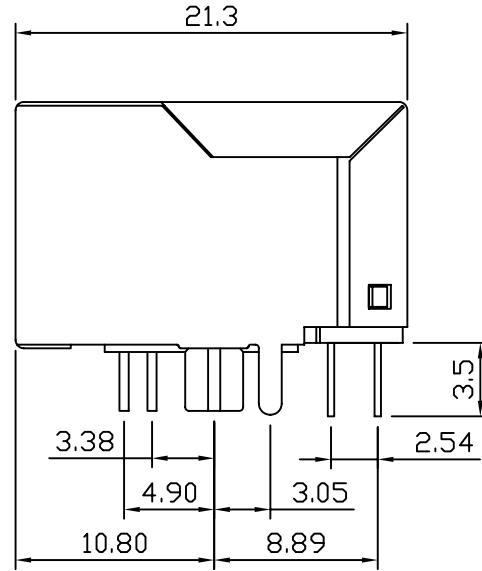
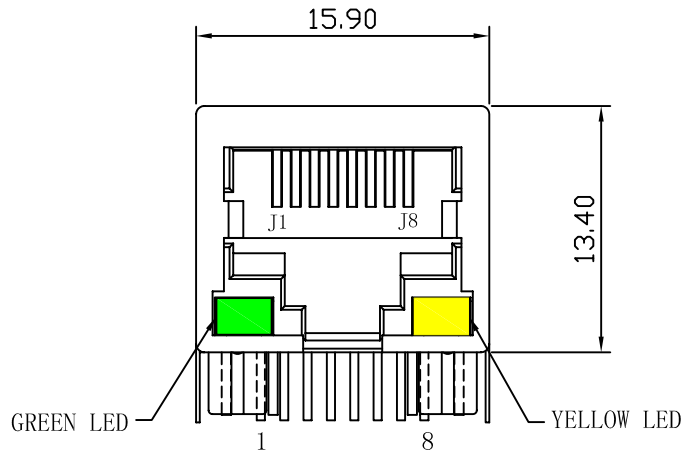
- Turns Ratio:  
TX=1CT:2.5      RX=1CT:1
- OCL:350uH Min  
@100KHz, 100mV, 8mA DC Bias.
- Insertion Loss:  
1-65MHz: -1.0dB Max
- Return Loss(dB Min):  
1-10MHz:-20      10-30MHz:-16  
30-60MHz:-12      60-100MHz:-10
- Crosstalk(dB Min):  
1-30MHz:-40      30-60MHz:-35  
60-100MHz:-30
- CMR(dB Min):  
1-50MHz:-30      50-150MHz:-20
- Hipot: 1500Vrms @ 60Hz 1 MIN
- Operating Temperature: 0°C ~ +70°C.



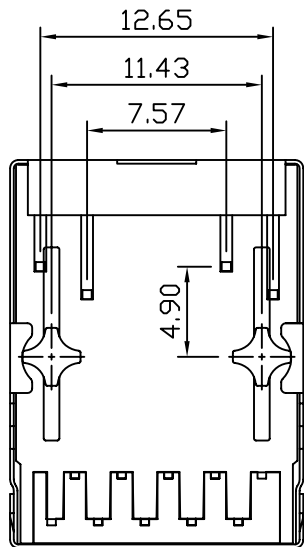
X:X ±0.25	APPD:	LINK-PP INT'L TECHNOLOGY CO., LIMITED		
X:XX ±0.20	CHKD:	TITLE: RJ45 Connector with 10/100 Base-T Integrated Magnetics		
X:XXX ±0.05	DR: TOM	PART NO.: LPJ0073BBNL		
ANGLES ±1°	UNIT: mm			
	SCALE: 2/1	SHEET: 1/2	REV: A	DWG NO.: LP10121703

Mechanical:

REV.	ECN NO.	DESCRIPTION	DATE	APPD
A	REL		2010/12/17	



SUGGESTED PCB LAYOUT (TOP VIEW)



NOTES:

1. Designed to support application, such as SOHO (ADSL modems), LAN-on-Motherboard (LOM), hub and Switches.
2. Meets IEEE 802.3 specification
3. Connector Materials:  
 Housing: Thermoplastic UL94V-0  
 Contact/Shield: Copper alloy  
 Shield plating: Nickel  
 Contact plating: Gold 6 micro-inches min. In contact area.
4. Wave solder tip temperature: 265°C Max  
 Wave solder tip temperature time: 5 Sec Max



X:X ±0.25	APPD:	LINK-PP INT'L TECHNOLOGY CO., LIMITED
X:XX ±0.20	CHKD:	
X:XXX ±0.05	DR: TOM	TITLE: RJ45 Connector with 10/100 Base-T Integrated Magnetics
ANGLES ±1°	UNIT: mm	PART NO.: LPJ0073BBNL
	SCALE: 2/1	SHEET: 2/2
	REV: A	DWG NO.: LP10121703