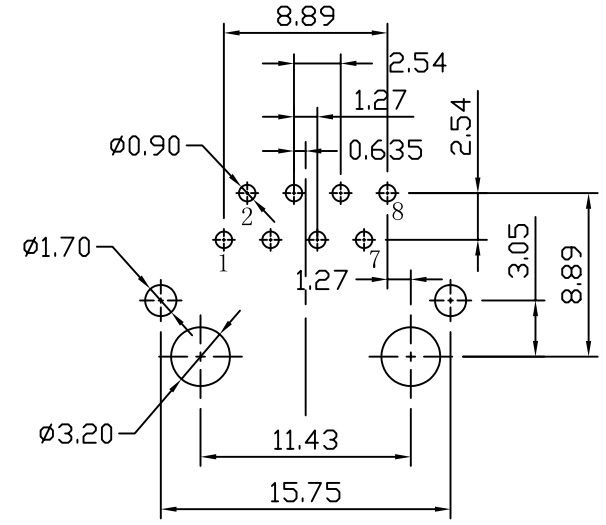
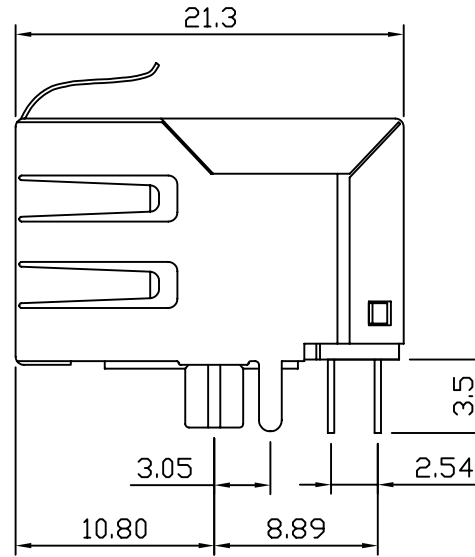
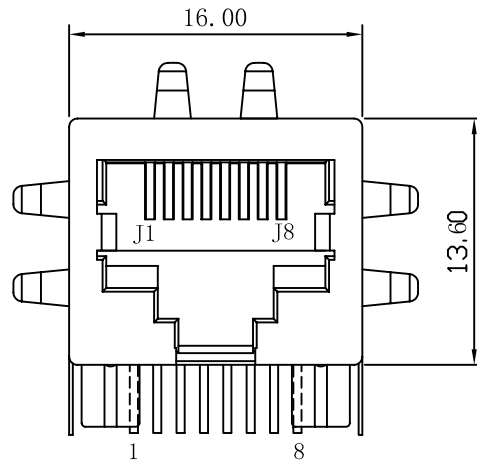
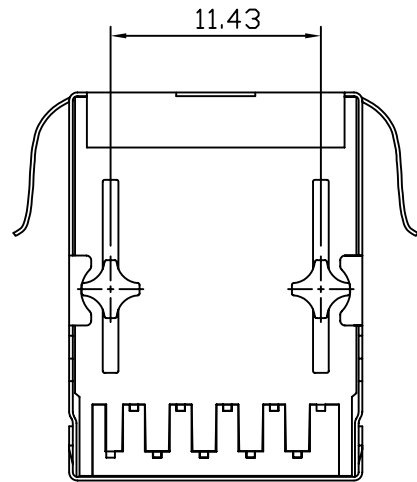


# Mechanical:

REV.	ECN NO.	DESCRIPTION	DATE	APPD
A	REL		2010/07/08	



SUGGESTED PCB LAYOUT (TOP VIEW)



## NOTES:

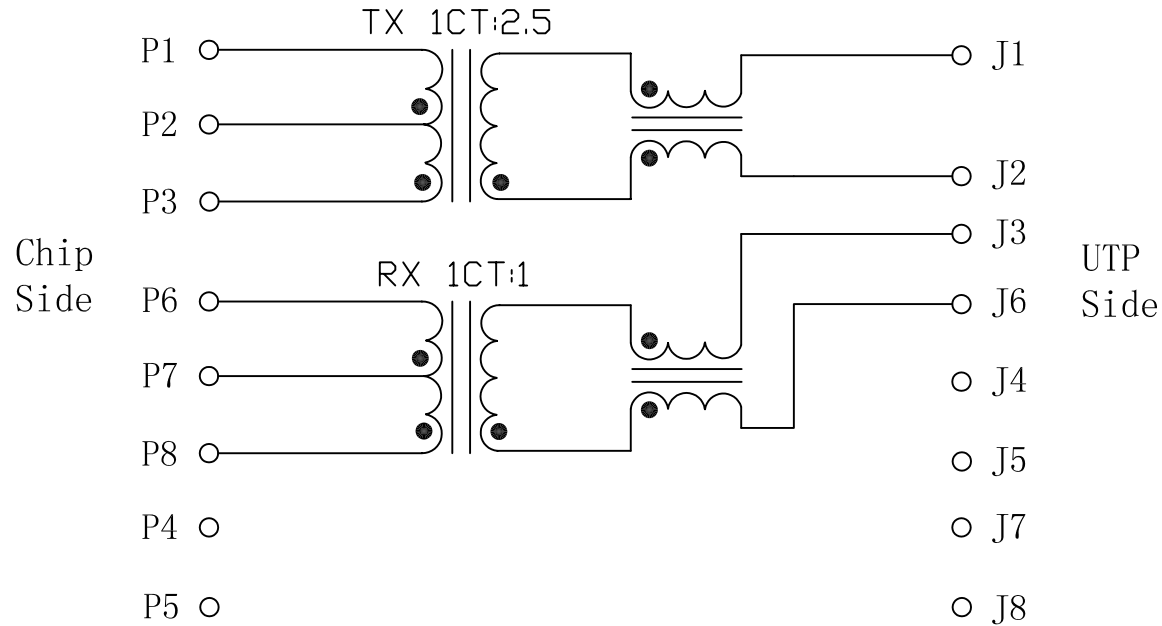
1. Designed to support application, such as SOHO (ADSL modems), LAN-on-Motherboard (LOM), hub and Switches.
2. Meets IEEE 802.3 specification
3. Connector Materials:  
 Housing: Thermoplastic UL94V-0  
 Contact/Shield: Copper alloy  
 Shield plating: Nickel  
 Contact plating: Gold 6 micro-inches min. In contact area.
4. Wave solder tip temperature: 265°C Max  
 Wave solder tip temperature time: 5 Sec Max



X:X	±0.25	APPD:	LINK-PP INT'L TECHNOLOGY CO., LIMITED	
X:XX	±0.10	CHKD:	TITLE: RJ45 Connector with 10/100 Base-TX Integrated Magnetics	
X:XXX	±0.05	DR: TOM	PART NO.: LP0055CNL	
ANGLES	±1°	UNIT: mm	DWG NO.: LP10070805	
	SCALE: 2/1	SHEET: 1/2	REV: A	

Schematic:

REV.	ECN NO.	DESCRIPTION	DATE	APPD
A	REL		2010/07/08	



Electrical Specifications @25°C

- Turns Ratio ( $\pm 5\%$ ) :  
 (P1-P2-P3) : (J1-J2) = 1CT:2.5  
 (P6-P7-P8) : (J3-J6) = 1CT:1
- OCL: 200uH Typ @100KHz 50mV
- Chip Side DC Resistance:  
 0.4 ohms Max
- PRI/SEC Cw/w:  
 15pF Max @100KHz 50mV
- PRI Leakage Inductance: 0.5uH Max  
 @100KHz 50mV SEC Shorted
- Isolation : 1500Vrms
- Operating Temperature: 0°C ~ 70°C



X:X	$\pm 0.25$	APPD:	LINK-PP INT'L TECHNOLOGY CO., LIMITED	
X:XX	$\pm 0.10$	CHKD:	TITLE: RJ45 Connector with 10/100 Base-TX Integrated Magnetics	
X:XXX	$\pm 0.05$	DR: TOM		
ANGLES	$\pm 1^\circ$	UNIT: mm	PART NO. : LP0055CNL	
	SCALE: 2/1	SHEET: 2/2	REV: A	DWG NO. : LP10070805