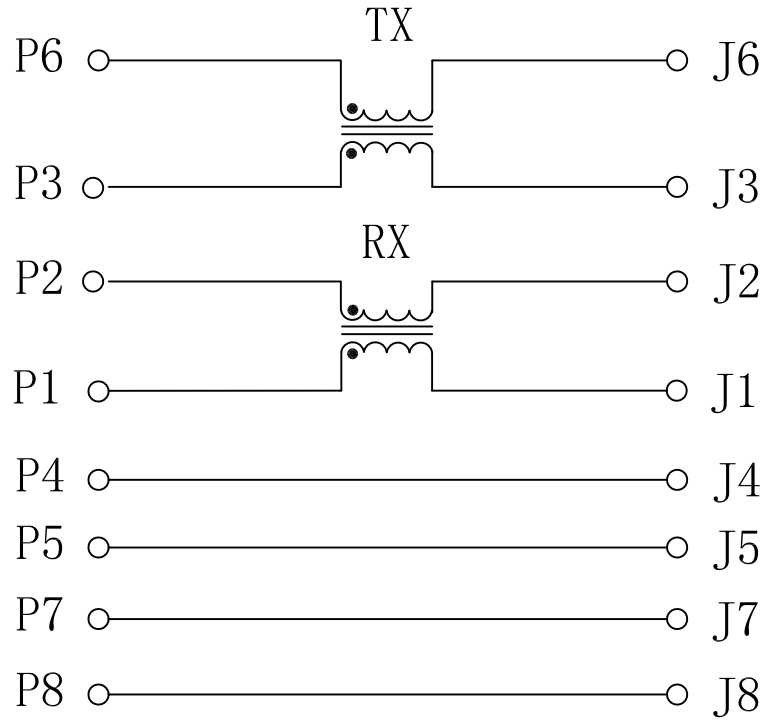


Schematic:

REV.	ECN NO.	DESCRIPTION	DATE	APPD
A	REL		10/09/2009	

PC BOARD CONNECTIONS



RJ45 CONNECTOR

ELECTRICAL SPECIFICATIONS @25°C

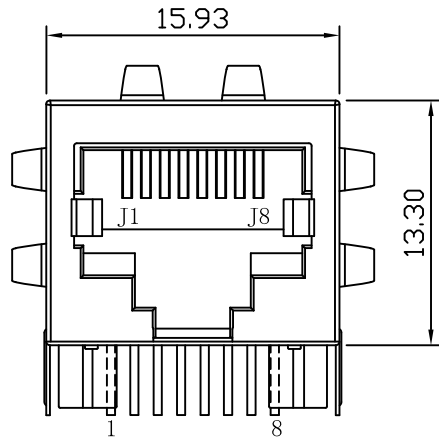
- Turn Ratio($\pm 2\%$):
TX=1:1 RX=1:1
- Inductance OCL:
65uH Typical @10KHz/10mV (EACH WINDING)
- DC Resistance:
0.5 Ohms Maximum (EACH WINDING)
- Common Mode Attenuation:
@1.0MHz 8dB Typ 5Min
@5.0MHz 17dB Typ 15Min
@20MHz 23dB Typ 15Min
@70MHz 25dB Typ 20Min
@200MHz 22dB Typ 17Min
@500MHz 11dB Typ 6Min
- DC Current:1.5A/pin, J4, 5, 7&8.
DC Current:1.0A/pin, J4, 5, 7&8. @ 85°C
- Isolation: 500Vrms
- Operating Temperature Range: 0°C TO 70°C



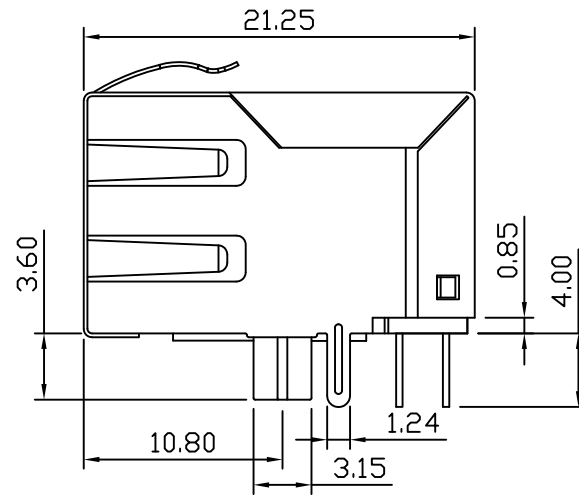
X:X ± 0.30	APPD:	LINK-PP INT'L TECHNOLOGY CO., LIMITED		
X:XX ± 0.20	CHKD:	TITLE: RJ45 COMMON MODE CHOKE		
X:XXX ± 0.05	DR: TOM	PART NO. : LPJ0052CNL		
ANGLES $\pm 1^\circ$	UNIT: mm	SCALE: 2/1	SHEET: 1/2	REV: A DWG NO. : LP09091012

Mechanical:

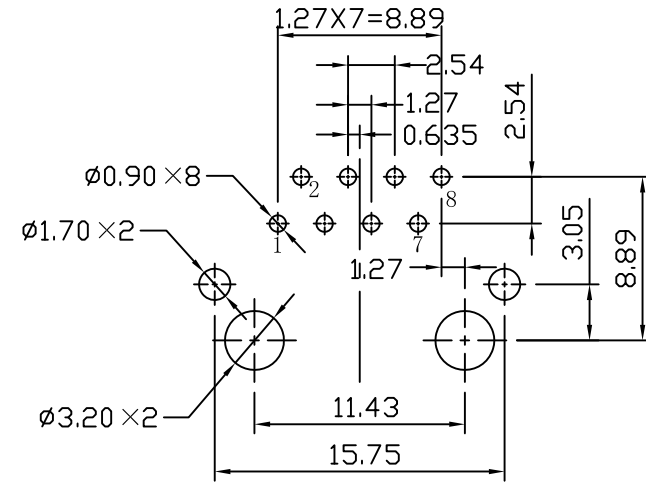
REV.	ECN NO.	DESCRIPTION	DATE	APPD
A	REL		10/09/2009	



Front Side View



Left Side View

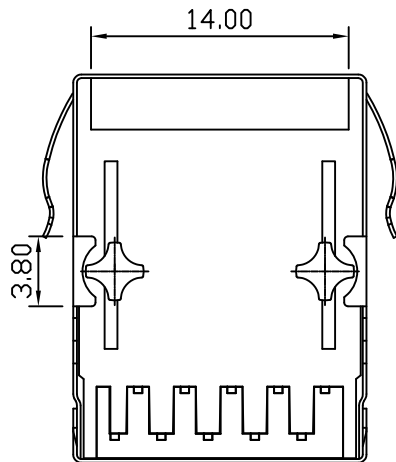


Suggested PCB Layout (Top View)

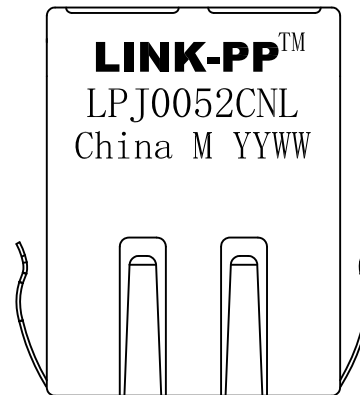


NOTES:

1. Designed to support application, such as SOHO (ADSL modems), LAN-on-Motherboard (LOM), hub and Switches.
2. Meets IEEE 802.3 specification
3. Connector Materials:
 Housing: Thermoplastic PBT+30%G.F UL94V-0
 Contact: Phosphor Bronze C5210R-EH Thickness=0.35mm
 Pins: Brass C2680R-H Thickness=0.35mm
 Shield: SUS 201-1/2H Thickness=0.2mm
 Contact plating: Gold 6 micro-inches min. In contact area.
4. Wave solder tip temperature: 265°C Max, 5 Sec Max.



Bottom Side View



Top Side View

X:X ±0.30	APPD:	LINK-PP INT'L TECHNOLOGY CO., LIMITED		
X:XX ±0.20	CHKD:	TITLE: RJ45 COMMON MODE CHOKE		
X:XXX ±0.05	DR: TOM	PART NO.: LPJ0052CNL		
ANGLES ±1°	UNIT: mm			
	SCALE: 2/1	SHEET: 2/2	REV: A	DWG NO.: LP09091012