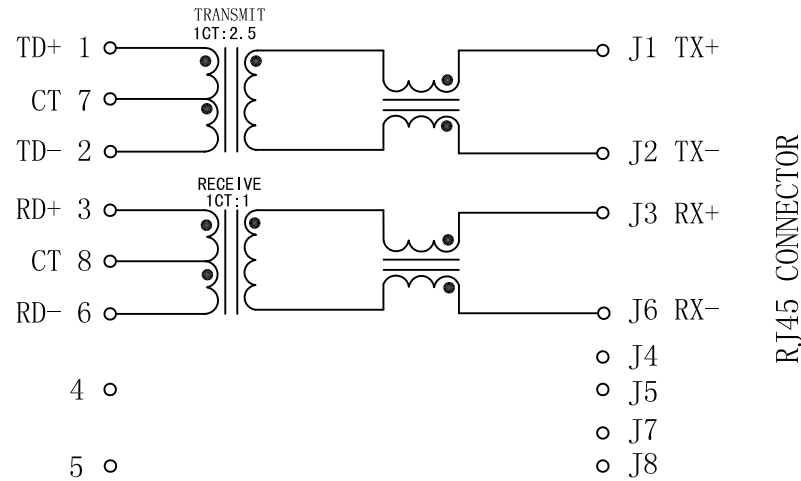


Schematic:

REV.	ECN NO.	DESCRIPTION	DATE	APPD
A	REL		2010/04/20	

PC BOARD CONNECTIONS



Electrical Specifications @25°C

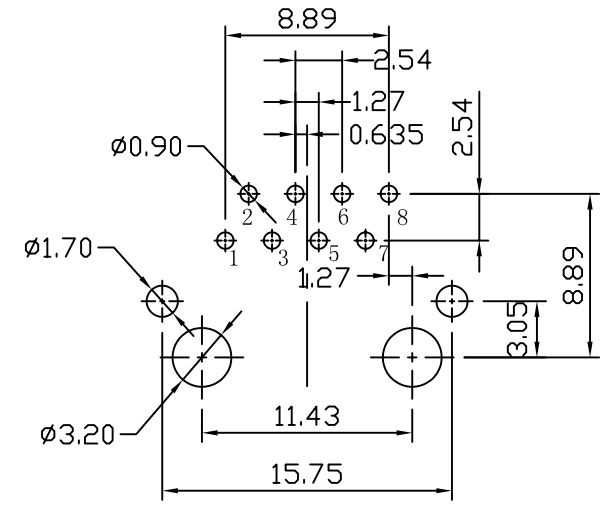
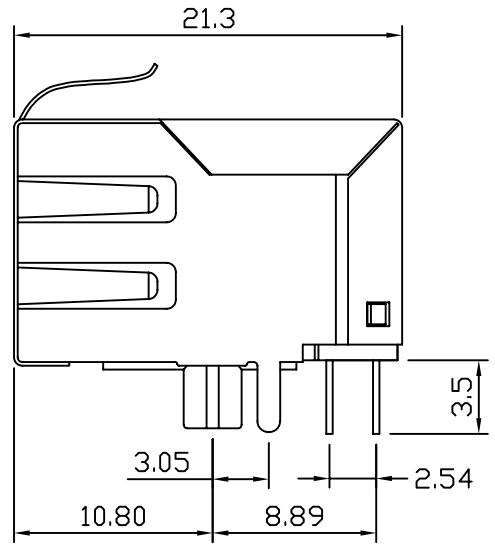
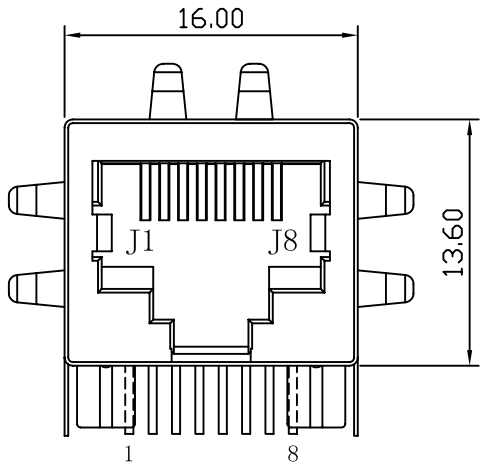
- OCL: 140uH Min @100KHz 50mV
- Turns Ratio ($\pm 2\%$) :
TX=1CT:2.5 RX=1CT:1
- Return Loss ($100\ \Omega \pm 15\ \Omega$) :
1-10MHz: -15dB Min
- Crosstalk:
1-10MHz: -30dB Min
- Insertion Loss:
1-10MHz: -1dB Max
- CMR: 5MHz: -25dB Min
- Hipot: 1500Vrms
- Operating Temperature: 0~70°C



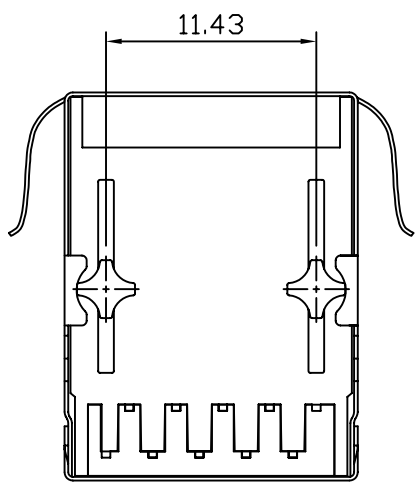
X:X ±0.30	APPD:	LINK-PP INT'L TECHNOLOGY CO., LIMITED
X:XX ±0.20	CHKD:	
X:XXX ±0.05	DR: TOM	
ANGLES ±1°	UNIT: mm	TITLE: RJ45 Connector with 10 Base-TX Integrated Magnetics
		PART NO.: LPJ0050CNL
	SCALE: 2/1	SHEET: 1/2
	REV: A	DWG NO.: LP10042006

Mechanical:

REV.	ECN NO.	DESCRIPTION	DATE	APPD
A	REL		2010/04/20	

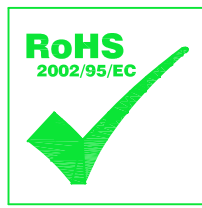


SUGGESTED PCB LAYOUT (TOP VIEW)



NOTES:

1. Designed to support application, such as SOHO (ADSL modems), LAN-on-Motherboard (LOM), hub and Switches.
2. Meets IEEE 802.3 specification
3. Connector Materials:
 Housing: Thermoplastic UL94V-0
 Contact/Shield: Copper alloy
 Shield plating: Nickel
 Contact plating: Gold 6 micro-inches min. In contact area.
4. Wave solder tip temperature: 265°C Max
 Wave solder tip temperature time: 5 Sec Max



X:X ±0.30	APPD:	LINK-PP INT'L TECHNOLOGY CO., LIMITED
X:XX ±0.20	CHKD:	
X:XXX ±0.05	DR: TOM	
ANGLES ±1°	UNIT: mm	TITLE: RJ45 Connector with 10 Base-TX Integrated Magnetics
		PART NO.: LPJ0050CNL
	SCALE: 2/1	SHEET: 2/2
	REV: A	DWG NO.: LP10042006