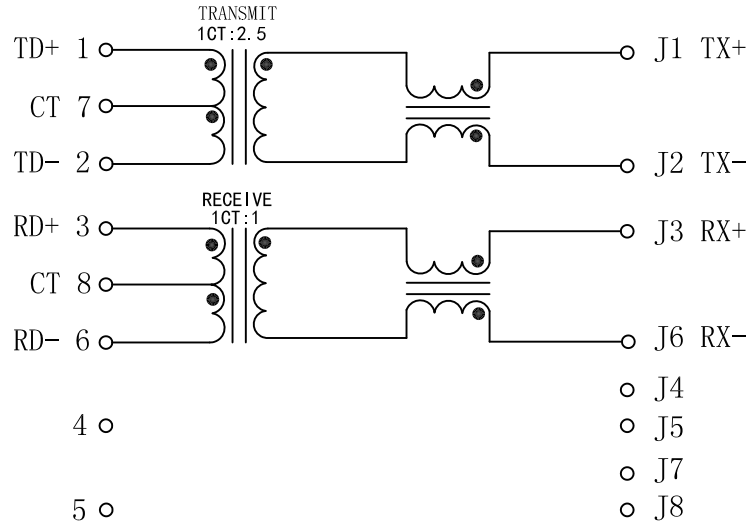


Schematic:

REV.	ECN NO.	DESCRIPTION	DATE	APPD
A	REL		2015-07-08	

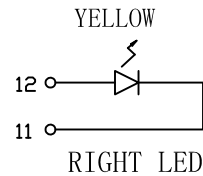
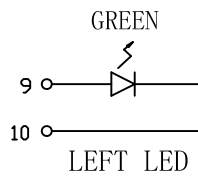
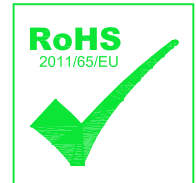
PC BOARD CONNECTIONS



RJ45 CONNECTOR

Electrical Specifications @25°C

1. OCL: 140uH Min @100KHz 50mV
2. Turns Ratio ($\pm 2\%$):
TX=1CT:2.5 RX=1CT:1
3. Insertion Loss:
1-10MHz: -1dB Max
4. Return Loss ($100 \Omega \pm 15 \Omega$):
1-10MHz: -15dB Min
5. Crosstalk:
1-10MHz: -30dB Min
6. CMR: 5MHz: -25dB Min
7. Hipot: 1500Vrms
8. Operating Temperature: 0°C ~ 70°C

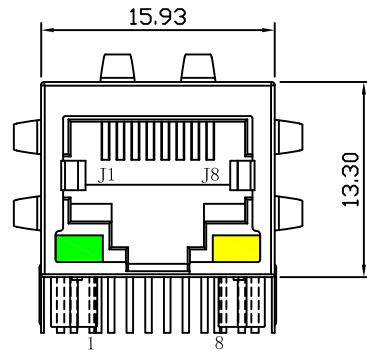


Emitting Color	λ_p (nm)	V _F @I _F =20mA	I _R @V _R =5V
GREEN	565	1.8~2.4V	10 μ A max
YELLOW	585	1.8~2.4V	10 μ A max

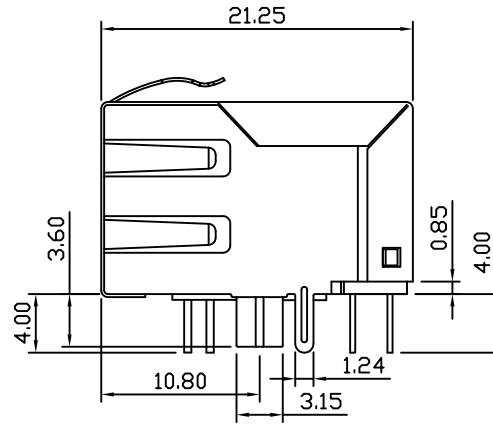
X:X	± 0.25	APPD:	LINK-PP INT'L TECHNOLOGY CO., LIMITED	
X:XX	± 0.20	CHKD:	TITLE: RJ45 Connector With 10 Base-TX Integrated Magnetic	
X:XXX	± 0.05	DR: SEA	PART NO.: LPJ0050ABNL	
ANGLES	$\pm 1^\circ$	UNIT: mm	DWG NO.: LP13122726	
	SCALE: 2/1	SHEET: 1/2	REV: A	

Mechanical:

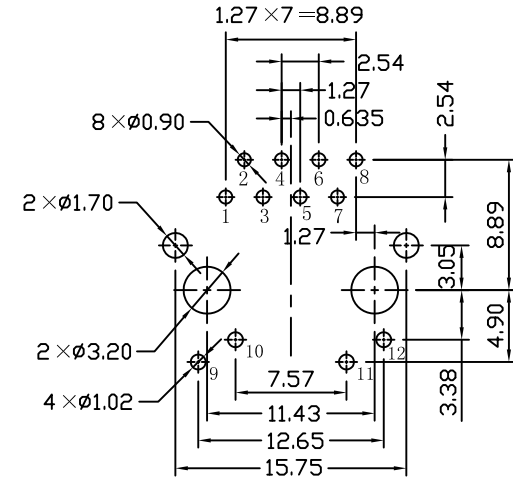
REV.	ECN NO.	DESCRIPTION	DATE	APPD
A	REL		2015-07-08	



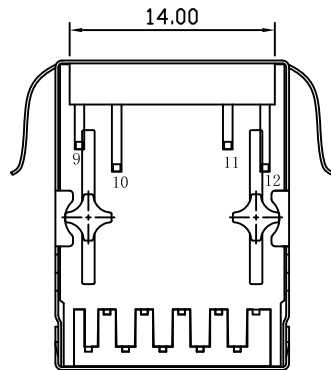
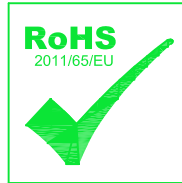
Front Side View



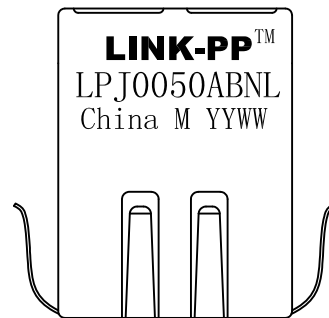
Left Side View



Suggested PCB Layout (Top View)



Bottom Side View



Top Side View

NOTES:

1. Designed to support application, such as SOHO (ADSL modems), LAN-on-Motherboard (LOM), hub and Switches.
2. Meets IEEE 802.3 specification
3. Connector Materials:
 Housing: Thermoplastic PBT+30%G.F UL94V-0
 Contact: Phosphor Bronze C5210R-EH Thickness=0.35mm
 Pins: Brass C2680R-H Thickness=0.35mm
 Shield: SUS 201-1/2H Thickness=0.2mm
 Contact plating: Gold 6 micro-inches min. In contact area.
4. Wave solder tip temperature: 265°C Max, 5 Sec Max.

X:X	±0.25	APPD:	LINK-PP INT'L TECHNOLOGY CO., LIMITED	
X:XX	±0.20	CHKD:	TITLE: RJ45 Connector With 10 Base-TX Integrated Magnetic	
X:XXX	±0.05	DR: SEA	PART NO.: LPJ0050ABNL	
ANGLES	±1°	UNIT: mm	DWG NO.: LP13122726	
	SCALE: 2/1	SHEET: 2/2	REV: A	