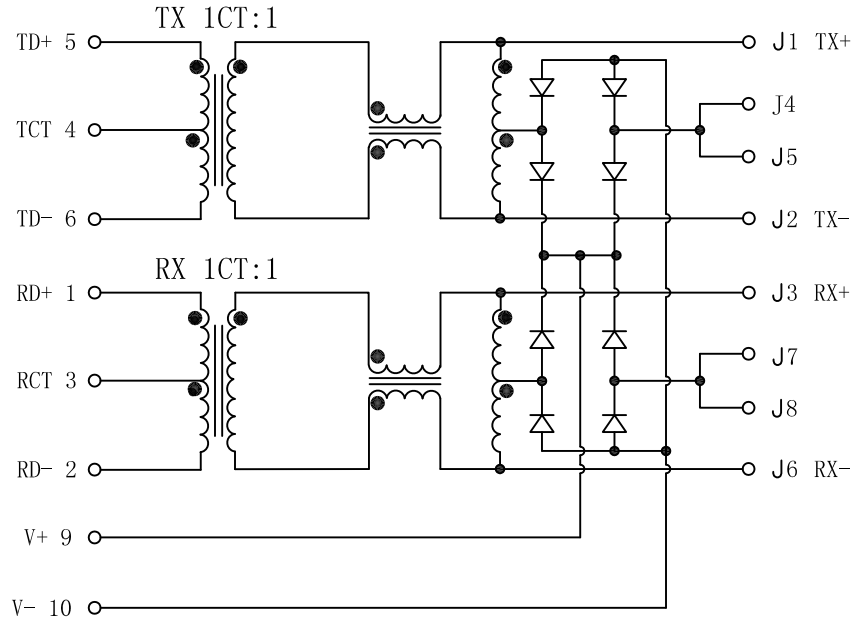


Schematic:

REV.	ECN NO.	DESCRIPTION	DATE	APPD
A	REL		2015-03-14	

PC BOARD CONNECTIONS



RJ45 CONNECTOR

ELECTRICAL SPECIFICATIONS @25°C

- Turn Ratio (100KHz, 0.1V) :
 PINS: (5-6) : (J1-J2)=1CT : 1 ±2%
 PINS: (1-2) : (J3-J6)=1CT : 1 ±2%
- OCL (@100KHz, 100mV, 8mA DC Bias) :
 PINS: (5-6), (1-2)=350uH MIN
- Insertion Loss:
 -1.0dB MAX @1~100MHz
- Return Loss:
 -18dB MIN @1~10MHz
 -16dB MIN @10~30MHz
 -12dB MIN @30~60MHz
 -10dB MIN @60~100MHz
- Cross talk:
 -40dB MIN @1~30MHz
 -35dB MIN @30~60MHz
 -30dB MIN @60~100MHz
- Common Mode Rejection:
 -30dB MIN @1~50MHz
 -20dB MIN @50~150MHz
- PoE Current: 350mADC Max.
- Hipot Test: 1500Vrms
- Operating Temperature: 0°C TO 70°C.



X:X	±0.30	APPD:	LINK-PP INT'L TECHNOLOGY CO., LIMITED	
X:XX	±0.25	CHKD:	TITLE: RJ45 Connector with 10/100 Base-T Integrated Magnetics For PoE Application	
X:XXX	±0.05	DR: TOM	PART NO. : LPJ0049CNL	
ANGLES	±1°	UNIT: mm	DWG NO. : LP15031415	
	SCALE: 2/1	SHEET: 1/2	REV: A	

