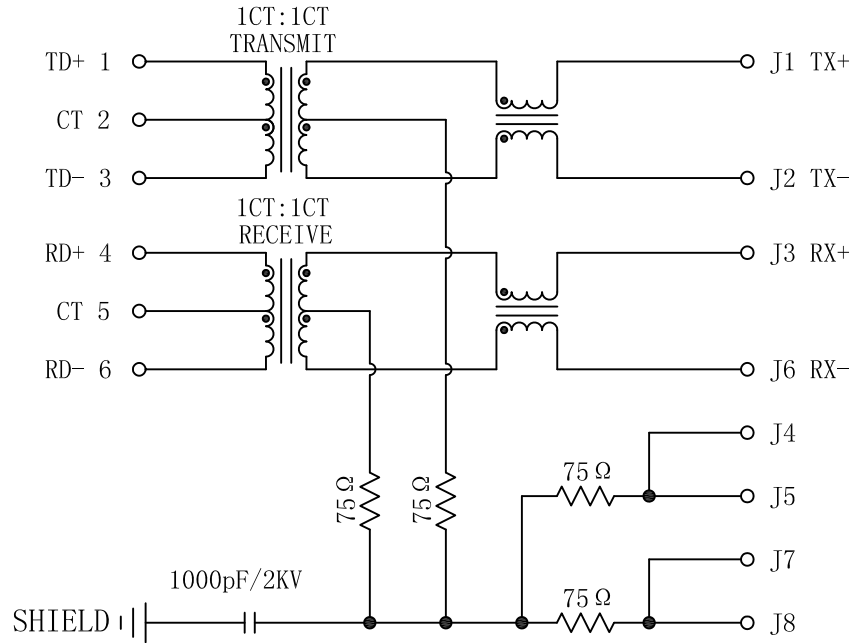


Schematic:

| REV. | ECN NO. | DESCRIPTION | DATE | APPD |
|------|---------|-------------|------------|------|
| A | REL | | 2014-07-21 | |

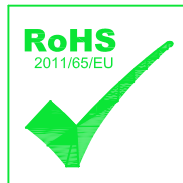
PC BOARD CONNECTIONS



RJ45 CONNECTOR

Electrical Specification @25°C

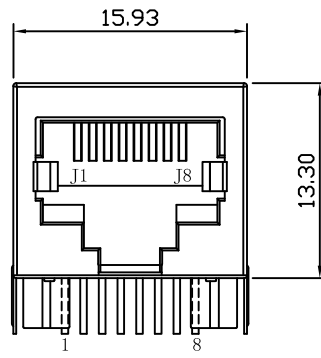
- Turns Ratio ($\pm 2\%$):
 (1-3) : (J1-J2) = 1:1
 (4-6) : (J3-J6) = 1:1
- Inductance: 350uH Min
 @0.1V, 0.1MHz, 8mA DC Bias
- Insertion Loss:
 0.1MHz-100MHz: -1.2dB Max
- Return Loss:
 1MHz-30MHz: -18dB Min
 30MHz-80MHz: -12dB Min
- Cross talk:
 1MHz-100MHz: -40dB Min
- Common to Mode Rejection
 30MHz-100MHz: -35dB Min
- Hipot: 1500Vrms Min
- Operating Temperature: 0°C ~ 70°C.



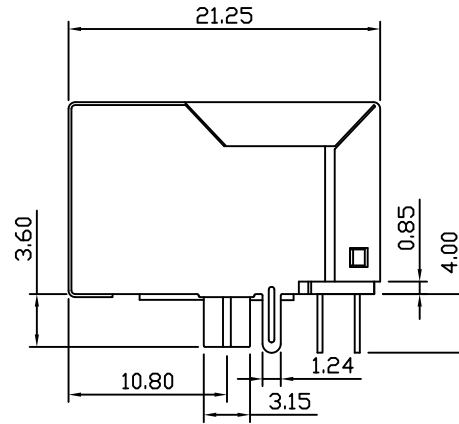
| | | | | |
|--------|---------------|------------|---|--|
| X:X | ± 0.30 | APPD: | LINK-PP INT'L TECHNOLOGY CO., LIMITED | |
| X:XX | ± 0.25 | CHKD: | TITLE: RJ45 Connector with 10/100 Base-T Integrated Magnetics | |
| X:XXX | ± 0.05 | DR: TOM | PART NO.: LPJ0034DNL | |
| ANGLES | $\pm 1^\circ$ | UNIT: mm | DWG NO.: LP14072118 | |
| | SCALE: 2/1 | SHEET: 1/2 | REV: A | |

Mechanical:

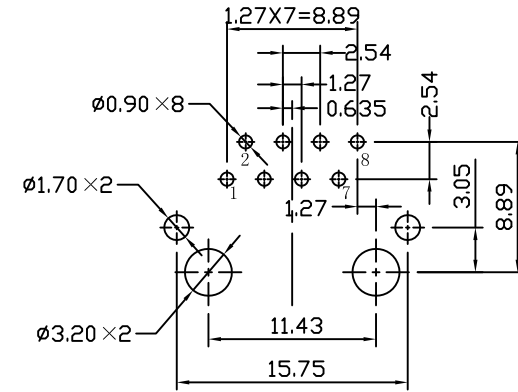
| REV. | ECN NO. | DESCRIPTION | DATE | APPD |
|------|---------|-------------|------------|------|
| A | REL | | 2014-07-21 | |



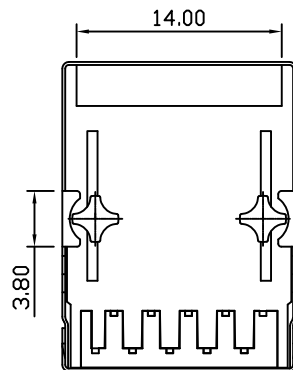
Front Side View



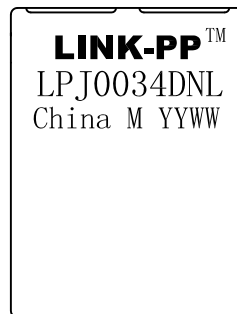
Left Side View



Suggested PCB Layout (Top View)



Bottom Side View



Top Side View

NOTES:

1. Designed to support application, such as SOHO (ADSL modems), LAN-on-Motherboard (LOM), hub and Switches.
2. Meets IEEE 802.3 specification
3. Connector Materials:
 - Housing: Thermoplastic PBT+30%G.F UL94V-0
 - Contact: Phosphor Bronze C5210R-EH Thickness=0.35mm
 - Pins: Brass C2680R-H Thickness=0.35mm
 - Shield: SUS 201-1/2H Thickness=0.2mm
 - Contact plating: Gold 6 micro-inches min. In contact area.
4. Wave solder tip temperature: 265°C Max, 5 Sec Max.

| | | | | |
|--------|------------|------------|---|--|
| X:X | ±0.30 | APPD: | LINK-PP INT'L TECHNOLOGY CO., LIMITED | |
| X:XX | ±0.25 | CHKD: | TITLE: RJ45 Connector with 10/100 Base-T Integrated Magnetics | |
| X:XXX | ±0.05 | DR: TOM | PART NO.: LPJ0034DNL | |
| ANGLES | ±1° | UNIT: mm | DWG NO.: LP14072118 | |
| | SCALE: 2/1 | SHEET: 2/2 | REV: A | |