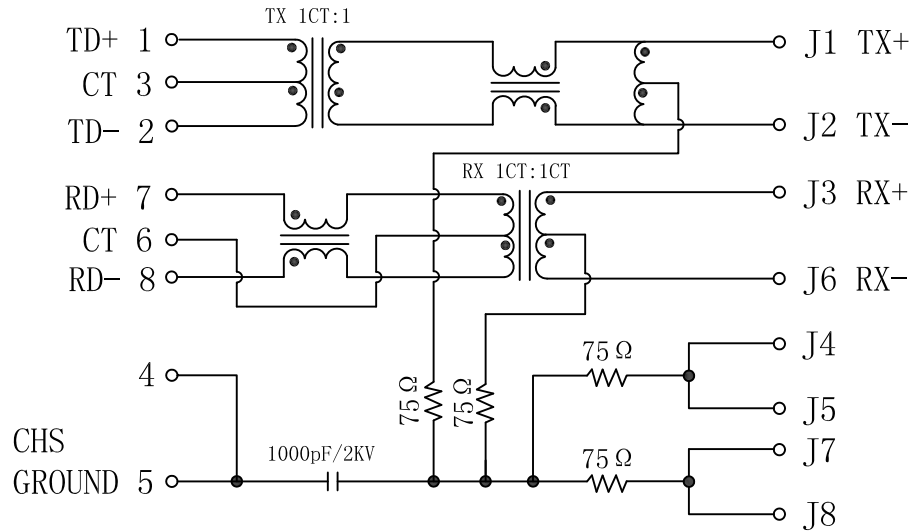


# Schematic:

REV.	ECN NO.	DESCRIPTION	DATE	APPD
A	REL		14/12/2009	

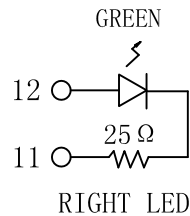
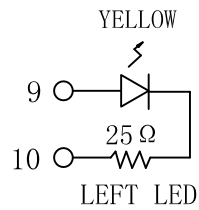
PC BOARD CONNECTIONS



RJ45 CONNECTOR

## ELECTRICAL SPECIFICATIONS @25°C

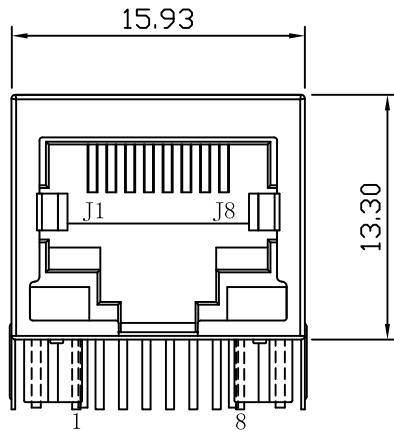
- Turn Ratio ( $\pm 2\%$ ):  
TX=1CT:1      RX=1CT:1CT
- Inductance OCL: 350uH MIN  
@100KHz, 0.1V, 8mA DC Bias
- Insertion Loss:  
-1.0dB MAX @1~65MHz
- Return Loss:  
-20dB MIN @1~10MHz  
-16dB MIN @10~30MHz  
-12dB MIN @30~60MHz  
-10dB MIN @60~100MHz
- Cross talk:  
-40dB MIN @1~30MHz  
-35dB MIN @30~60MHz  
-30dB MIN @60~100MHz
- Common Mode Rejection:  
-30dB MIN @1~50MHz  
-20dB MIN @50~150MHz
- Hipot Test: 1500Vrms MIN
- Operating Temperature Range: 0°C~70°C.



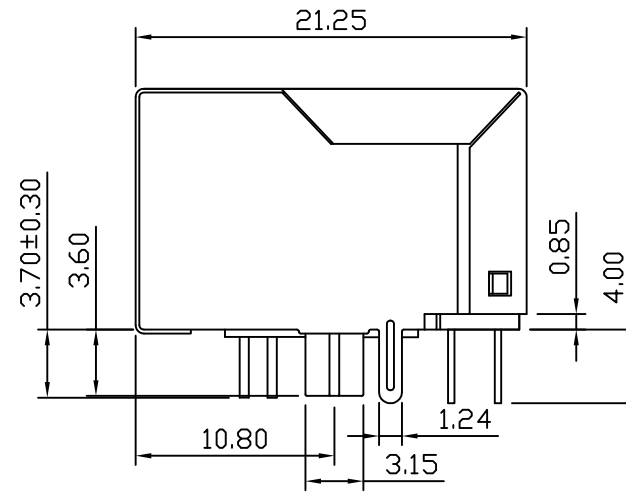
Emitting Color	$\lambda_p$ (nm)	V <sub>F</sub> @I <sub>F</sub> =20mA	I <sub>R</sub> @V <sub>R</sub> =5V
GREEN	565	1.8~2.6V	10 $\mu$ A max
YELLOW	585	1.8~2.6V	10 $\mu$ A max

X:X	$\pm 0.30$	APPD:	LINK-PP INT'L TECHNOLOGY CO., LIMITED	
X:XX	$\pm 0.25$	CHKD:	TITLE: RJ45 Connector with 10/100 Base-T Integrated Magnetics	
X:XXX	$\pm 0.05$	DR: TOM	PART NO.: LPJ0026BMNL	
ANGLES	$\pm 1^\circ$	UNIT: mm		
	SCALE: 2/1	SHEET: 1/2	REV: A	DWG NO.: LP09121423

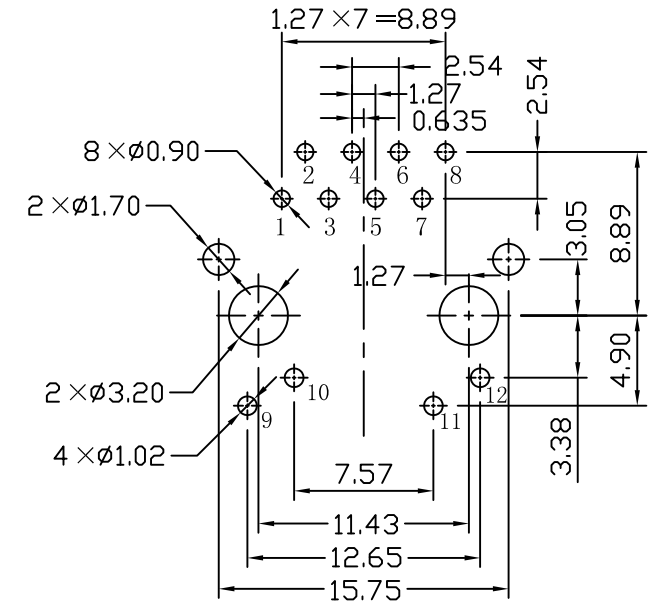
REV.	ECN NO.	DESCRIPTION	DATE	APPD
A	REL		14/12/2009	



Front Side View



Left Side View

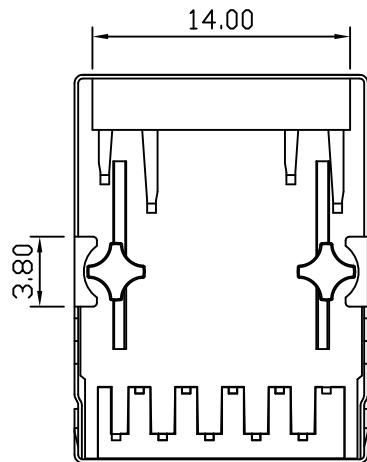


Suggested PCB Layout (Top View)

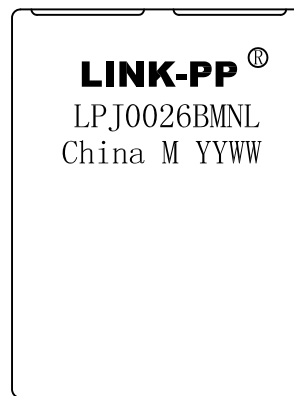


NOTES:

1. Designed to support application, such as SOHO (ADSL modems), LAN-on-Motherboard (LOM), hub and Switches.
2. Meets IEEE 802.3 specification
3. Connector Materials:  
 Housing: Thermoplastic PBT+30%G.F UL94V-0  
 Contact: Phosphor Bronze C5210R-EH Thickness=0.35mm  
 Pins: Brass C2680R-H Thickness=0.35mm  
 Shield: SUS 201-1/2H Thickness=0.2mm  
 Contact plating: Gold 6 micro-inches min. In contact area.
4. Wave solder tip temperature: 265°C Max, 5 Sec.
5. UL Certification: File Number E484635.



Bottom Side View



Top Side View

X:X ±0.30	APPD:	LINK-PP INT'L TECHNOLOGY CO., LIMITED
X:XX ±0.25	CHKD:	
X:XXX ±0.05	DR: TOM	TITLE: RJ45 Connector with 10/100 Base-T Integrated Magnetics
ANGLES ±1°	UNIT: mm	PART NO.: LPJ0026BMNL
	SCALE: 2/1	SHEET: 2/2
	REV: A	DWG NO.: LP09121423