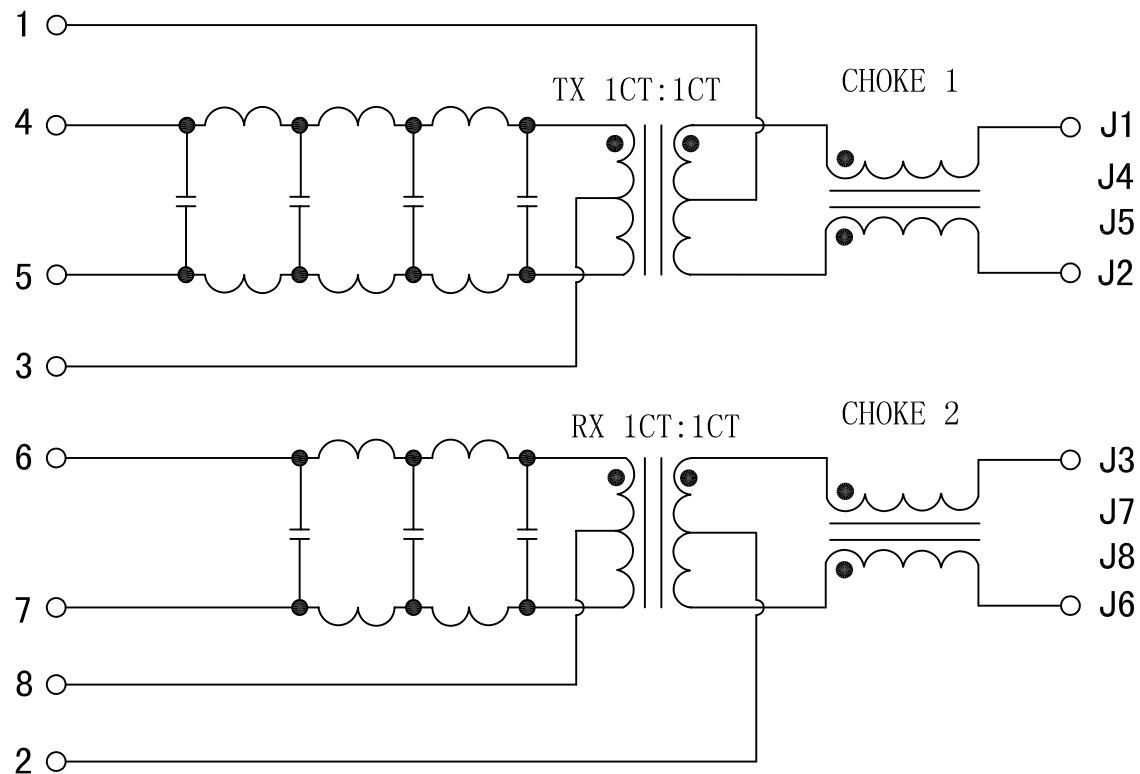


Schematic:

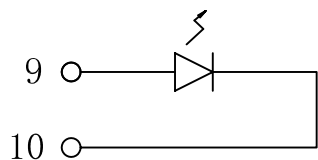
REV.	ECN NO.	DESCRIPTION	DATE	APPD
A	REL		02/07/2007	



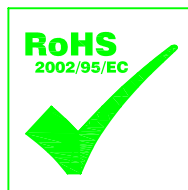
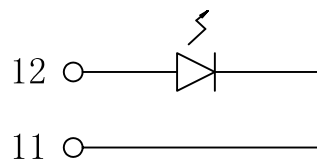
Electrical Specification @25°C

- Turns Ratio ($\pm 5\%$) :
TX=1CT:1CT RX=1CT:1CT
- Insertion Loss:
1-10MHz: -1.0dB Max
- Return Loss:
5-10MHz: -13.5dB Min
- Crosstalk:
1-10MHz: -30dB Min
- Attenuation: 20/25/30/40MHz
(TX: -5/-18/-28/-33dB Min);
(RX: -4.2/-11/-16/-26dB Min)
- CMR: 30-100MHz: -30dB Min
- Isolation Voltage: 1200Vrms/0.5mA
- Inductance: 150uH Min @100KHz/0.1V
- Operating Temperature: 0°C ~ 70°C.

YELLOW/LEFT LED



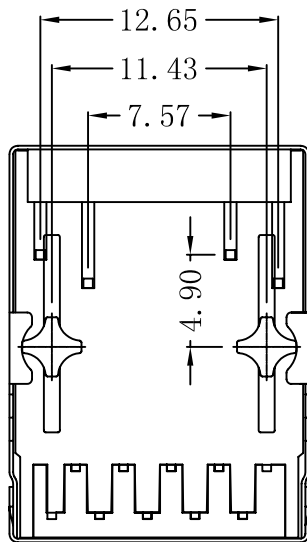
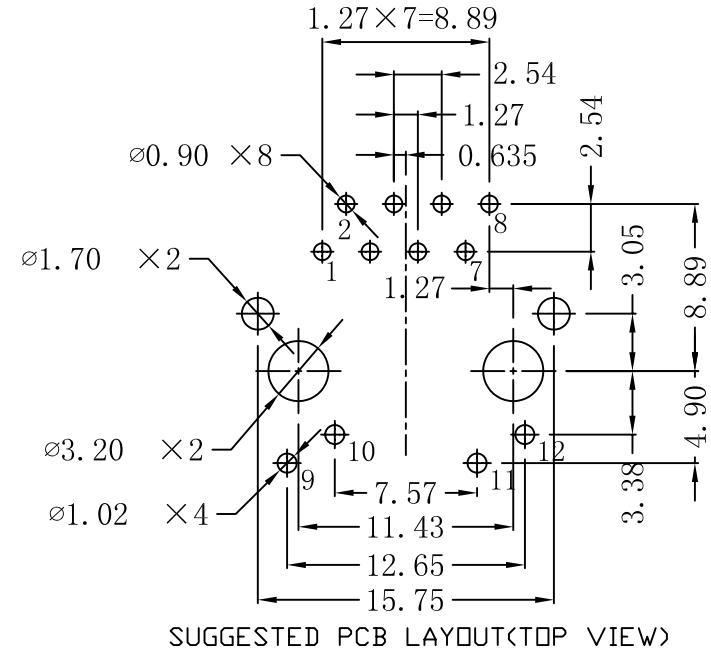
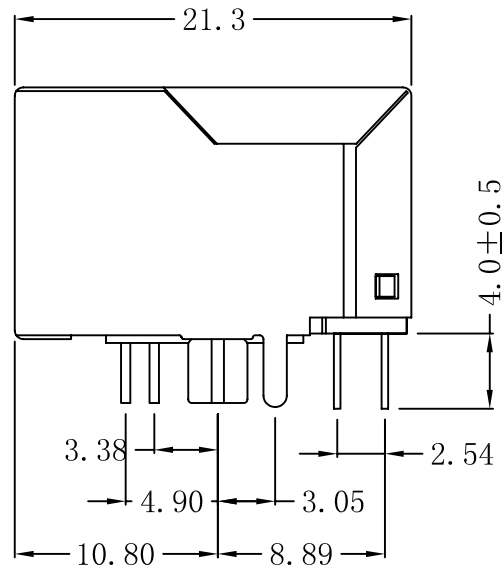
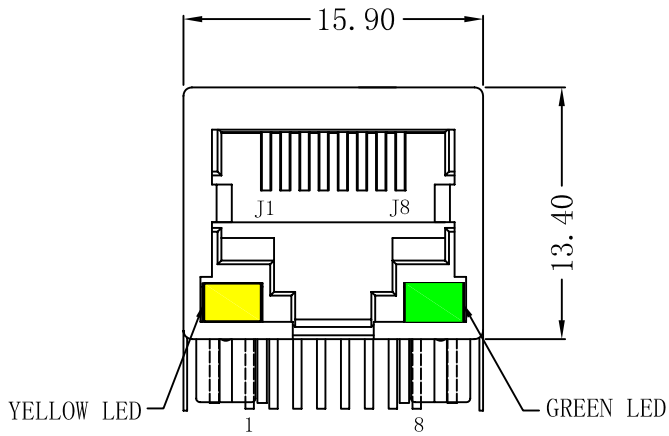
GREEN/RIGHT LED



X:X	± 0.25	APPD:	LINK-PP INT'L TECHNOLOGY CO., LIMITED
X:XX	± 0.10	CHKD:	
X:XXX	± 0.05	DR: TOM	
ANGLES	$\pm 1^\circ$	UNIT: mm	PART NO. : LPJ0022BANL
	SCALE: 2/1	SHEET: 1/2	REV: A DWG NO. : LP07070205

Mechanical:

REV.	ECN NO.	DESCRIPTION	DATE	APPD
A	REL		02/07/2007	



NOTES:

1. Designed to support application, such as SOHO (ADSL modems), LAN-on-Motherboard (LOM), hub and Switches.
2. Meets IEEE 802.3 specification
3. Connector Materials:
 Housing: Thermoplastic UL94V-0
 Contact/Shield: Copper alloy
 Shield plating: Nickel
 Contact plating: Gold 6 micro-inches min. In contact area.
4. Wave solder tip temperature: 265°C Max.
 Wave solder tip temperature time: 5 Sec Max



X:X	±0.25	APPD:	LINK-PP INT'L TECHNOLOGY CO., LIMITED	
X:XX	±0.10	CHKD:		
X:XXX	±0.05	DR: TOM	TITLE: RJ45 Connector With 10 Base-TX Integrated Magnetic	
ANGLES	±1°	UNIT: mm/Inch	PART NO.: LPJ0022BANL	
SCALE: 2/1		SHEET: 2/2	REV: A	DWG NO.: LP07070205