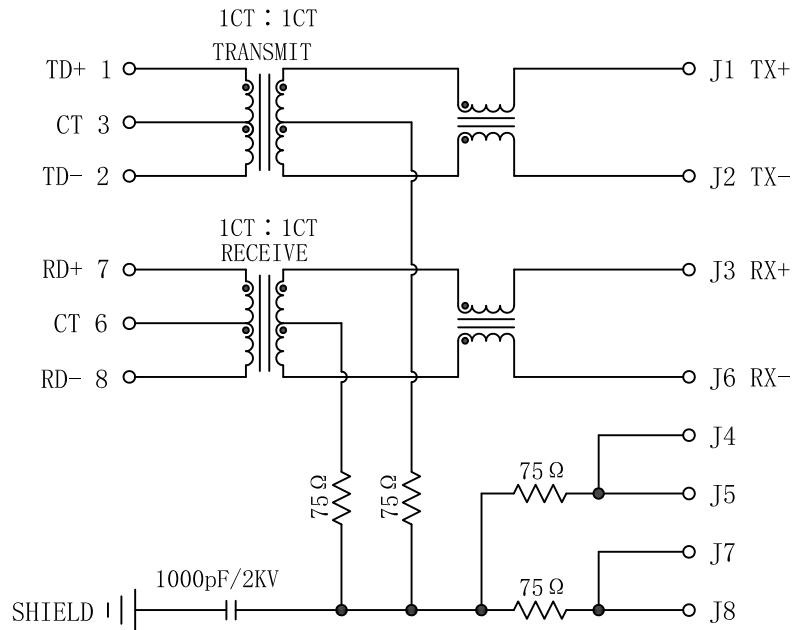


Schematic:

REV.	ECN NO.	DESCRIPTION	DATE	APPD
A	REL		2010/04/28	

PC BOARD CONNECTIONS

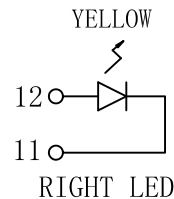
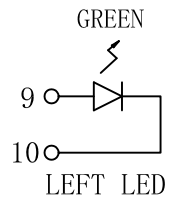


RJ45 CONNECTOR

ELECTRICAL SPECIFICATIONS @25°C

- Turn Ratio ($\pm 2\%$):
TX=1CT:1CT RX=1CT:1CT
- Inductance OCL: 350uH MIN
@ 100KHz/0.1V 8mA DC Bias
- Insertion Loss:
0.3-100MHz: -1.0dB MAX
- Return Loss (dB MIN @100Ω):
1-30MHz: -18 40MHz: -16
50MHz: -14 60-80MHz: -12
- Cross talk (dB MIN):
30MHz: -45 60MHz: -40
100MHz: -35
- Common Mode Rejection (dB MIN):
30MHz: -35 60MHz: -30
100MHz: -25
- Hipot Test: 1500Vrms
- Operating Temperature Range: 0°C to 70°C.

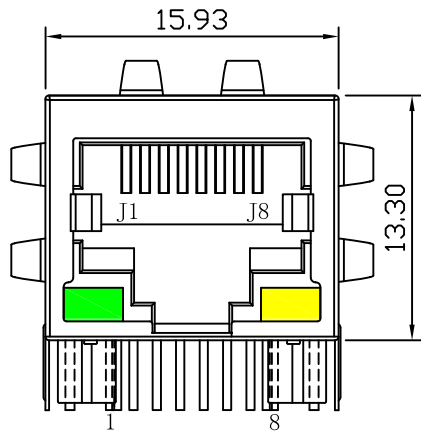
Emitting Color	λ p(nm)	VF@IF=20mA	IR @VR=5V
GREEN	565	1.8-2.6V	10 μ A max
YELLOW	585	1.8-2.6V	10 μ A max



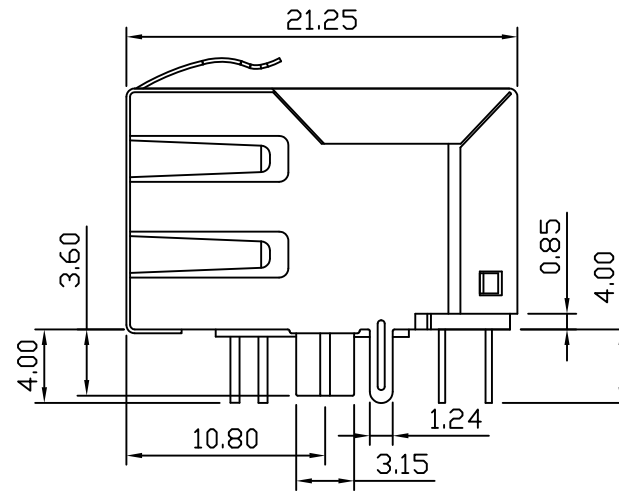
X:X	± 0.30	APPD:	LINK-PP INT'L TECHNOLOGY CO., LIMITED
X:XX	± 0.25	CHKD:	
X:XXX	± 0.05	DR: TOM	
ANGLES	$\pm 1^\circ$	UNIT: mm	TITLE: RJ45 Connector 10/100 Base-TX With Integrated Magnetics
			PART NO.: LPJ0017ABNL
	SCALE: 2/1	SHEET: 1/2	REV: A
			DWG NO.: LP10042801

Mechanical:

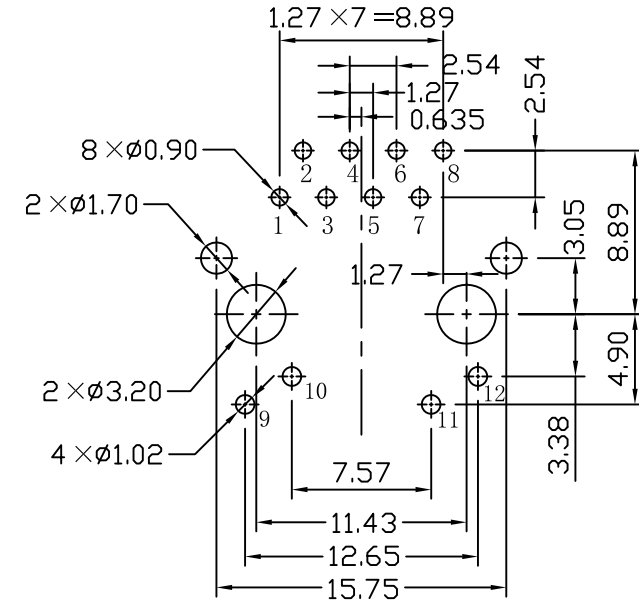
REV.	ECN NO.	DESCRIPTION	DATE	APPD
A	REL		2010/04/28	



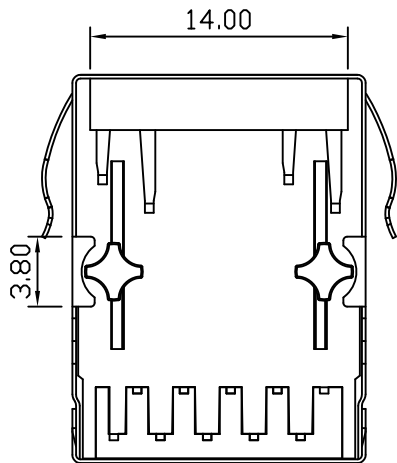
Front Side View



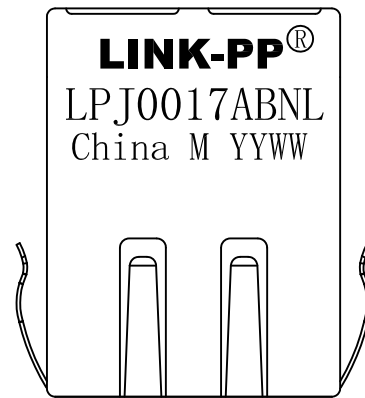
Left Side View



Suggested PCB Layout (Top View)



Bottom Side View



Top Side View

NOTES:

1. Designed to support application, such as SOHO (ADSL modems), LAN-on-Motherboard (LOM), hub and Switches.
2. Meets IEEE 802.3 specification
3. Connector Materials:
 Housing: Thermoplastic PBT+30%G.F UL94V-0
 Contact: Phosphor Bronze C5210R-EH Thickness=0.35mm
 Pins: Brass C2680R-H Thickness=0.35mm
 Shield: SUS 201-1/2H Thickness=0.2mm
 Contact plating: Gold 6 micro-inches min. In contact area.
4. Wave solder tip temperature: 265°C Max, 5 Sec.
5. UL Certification: File Number E484635.

X:X ±0.30	APPD:	LINK-PP INT'L TECHNOLOGY CO., LIMITED
X:XX ±0.25	CHKD:	
X:XXX ±0.05	DR: TOM	TITLE: RJ45 Connector 10/100 Base-TX With Integrated Magnetics
ANGLES ±1°	UNIT: mm	PART NO.: LPJ0017ABNL
	SCALE: 2/1	SHEET: 2/2
	REV: A	DWG NO.: LP10042801