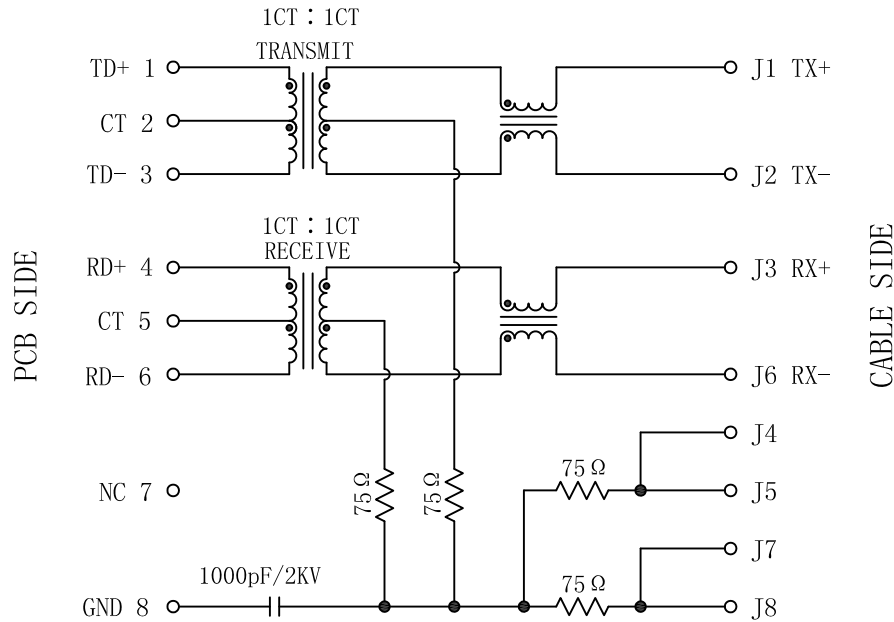


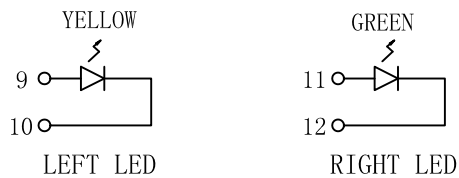
Schematic:

REV.	ECN NO.	DESCRIPTION	DATE	APPD
A	REL		2015-07-14	



ELECTRICAL SPECIFICATIONS @25°C

- Turn Ratio ($\pm 2\%$):
TX=1CT:1CT RX=1CT:1CT
- Inductance OCL: 350uH MIN
@ 100KHz/0.1V 8mA DC Bias
- Insertion Loss:
1. 0-100MHz: -1.0dB MAX
- Return Loss (dB MIN):
1-30MHz: -18 30-60MHz: -15
60-80MHz: -12 80-100MHz: -10
- Cross talk (dB MIN):
30MHz: -40 60MHz: -35
100MHz: -30
- Common Mode Rejection (dB MIN):
30MHz: -40 60MHz: -35
100MHz: -30
- Hipot Test: 1500Vrms
- Operating Temperature Range: 0°C TO 70°C

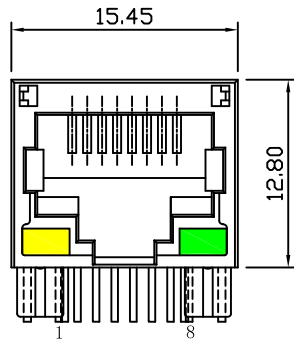


Emitting Color	λ p(nm)	VF@IF=20mA	IR @VR=5V
Green	565	1.8~2.6V	10 μ A max
Yellow	585	1.8~2.6V	10 μ A max

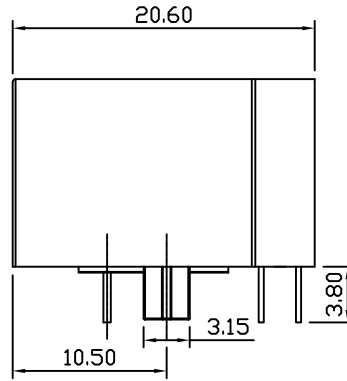
X:X	± 0.25	APPD:	LINK-PP INT'L TECHNOLOGY CO., LIMITED	
X:XX	± 0.20	CHKD:	TITLE: RJ45 Connector with 10/100 Base-T Integrated Magnetics	
X:XXX	± 0.05	DR: TOM		
ANGLES	$\pm 1^\circ$	UNIT: mm	PART NO.: LPJ0012NDNL	
	SCALE: 2/1	SHEET: 1/2	REV: A	DWG NO.: LP15071530

Mechanical:

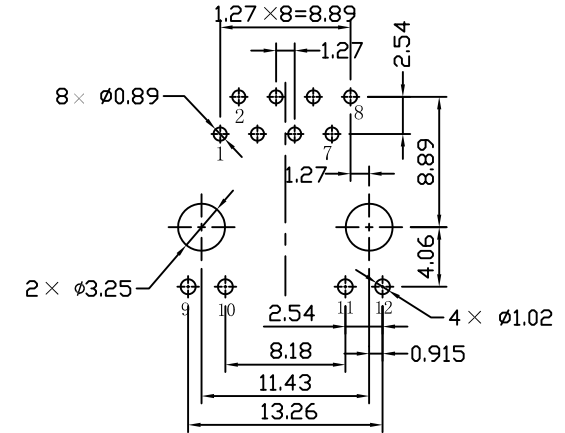
REV.	ECN NO.	DESCRIPTION	DATE	APPD
A	REL		2015-07-14	



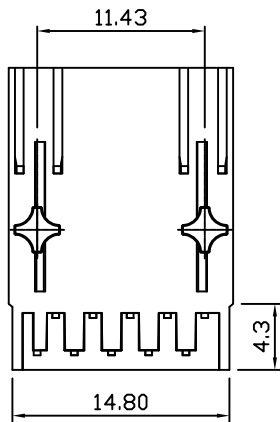
Front Side View



Left Side View



Suggested PCB Layout (Top View)



Bottom Side View



Top Side View



NOTES:

1. Meets IEEE 802.3 specification
2. Connector Materials:

Housing Material: Thermoplastic PBT+30%G.F UL94V-0
 Contact Material: Phosphor Bronze C5210R-EH Thickness=0.35mm
 Pins: Brass C2680R-H Thickness=0.35mm
 Contact plating: Gold 6 micro-inches min. In contact area.

3. Wave solder tip temperature: 265°C Max, 5 Sec Max

X:X	±0.25	APPD:	LINK-PP INT'L TECHNOLOGY CO., LIMITED	
X:XX	±0.20	CHKD:	TITLE: RJ45 Connector with 10/100 Base-T Integrated Magnetics	
X:XXX	±0.05	DR: TOM	PART NO.: LPJ0012NDNL	
ANGLES	±1°	UNIT: mm	DWG NO.: LP15071530	
	SCALE: 2/1	SHEET: 2/2	REV: A	