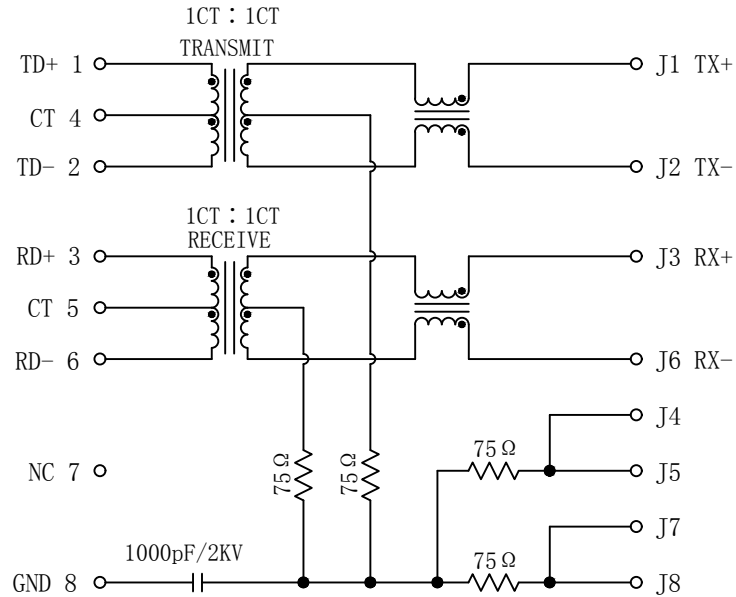


Schematic:

| REV. | ECN NO. | DESCRIPTION | DATE       | APPD |
|------|---------|-------------|------------|------|
| A    | REL     |             | 2008-12-12 |      |

PC BOARD CONNECTIONS

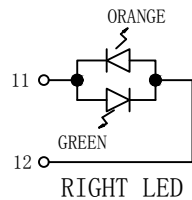
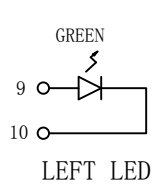


RJ45 CONNECTOR

ELECTRICAL SPECIFICATIONS @25°C

- Turn Ratio ( $\pm 2\%$ ):  
TX=1CT:1CT      RX=1CT:1CT
- Inductance OCL: 350uH MIN  
@ 100KHz/0.1V 8mA DC Bias
- Insertion Loss:  
1~100MHz:-1.0dB MAX
- Return Loss (dB MIN):  
1~30MHz: -18      30~60MHz:-15  
60~80MHz: -12      80~100MHz:-10
- Cross talk (dB MIN):  
30MHz: -40      60MHz: -35  
100MHz:-30
- Common Mode Rejection (dB MIN):  
30MHz: -40      60MHz: -35  
100MHz:-30
- Hipot Test: 1500Vrms
- Operating Temperature Range: 0°C~70°C.

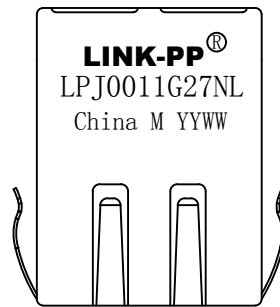
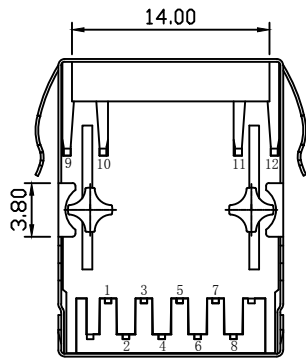
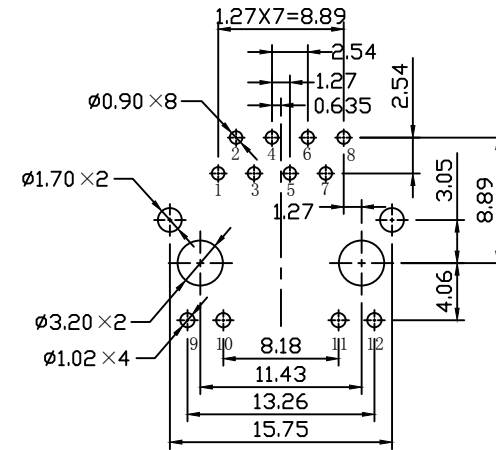
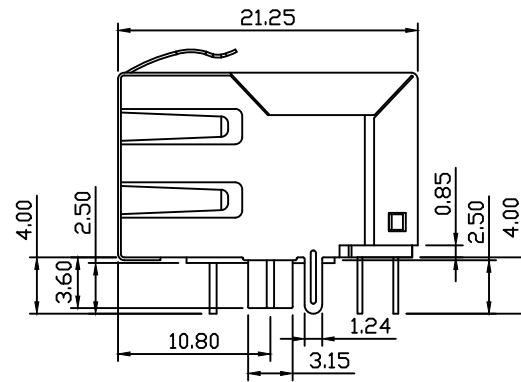
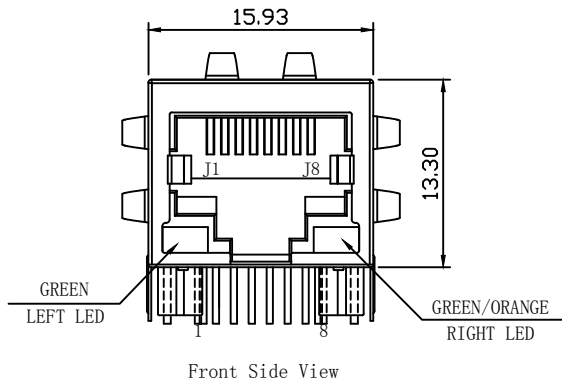
| Emitting Color | $\lambda_p$ (nm) | V <sub>F</sub> @I <sub>F</sub> =20mA | I <sub>R</sub> @V <sub>R</sub> =5V |
|----------------|------------------|--------------------------------------|------------------------------------|
| GREEN          | 565              | 1.8~2.6V                             | 10 $\mu$ A max                     |
| ORANGE         | 610              | 1.8~2.6V                             | 10 $\mu$ A max                     |



|        |               |             |   |                     |
|--------|---------------|-------------|---|---------------------|
| X:X    | $\pm 0.30$    | APPD: TOM   | LINK-PP INT'L TECHNOLOGY CO., LIMITED                         |                     |
| X:XX   | $\pm 0.25$    | CHKD: JAMES |   |                     |
| X:XXX  | $\pm 0.05$    | DR: LEO     | TITLE: RJ45 Connector with 10/100 Base-T Integrated Magnetics |                     |
| ANGLES | $\pm 1^\circ$ | UNIT: mm    | PART NO.: LPJ0011G27NL  |                     |
|        | SCALE: 2/1    | SHEET: 1/2  | REV: A  | DWG NO.: LP21072005 |

# Mechanical:

| REV. | ECN NO. | DESCRIPTION | DATE       | APPD |
|------|---------|-------------|------------|------|
| A    | REL     |             | 2008-12-12 |      |



## NOTES:

1. Designed to support application, such as SOHO (ADSL modems), LAN-on-Motherboard (LOM), hub and Switches.
2. Meets IEEE 802.3 specification
3. Connector Materials:  
 Housing: Thermoplastic PBT+30%G. F UL94V-0  
 Contact: Phosphor Bronze C5210R-EH Thickness=0.35mm  
 Pins: Brass C2680R-H Thickness=0.35mm  
 Shield: SUS 201-1/2H Thickness=0.2mm  
 Contact plating: Gold 6 micro-inches min. In contact area.
4. Wave solder tip temperature: 250°C, 5 Sec.
5. UL Certification: File Number E484635.



|             |             |   |
|-------------|-------------|---|
| X:X ±0.30   | APPD: TOM   | LINK-PP INT'L TECHNOLOGY CO., LIMITED                         |
| X:XX ±0.25  | CHKD: JAMES |   |
| X:XXX ±0.05 | DR: LEO     | TITLE: RJ45 Connector with 10/100 Base-T Integrated Magnetics |
| ANGLES ±1°  | UNIT: mm    | PART NO.: LPJ0011G27NL  |
|             | SCALE: 2/1  | SHEET: 2/2  |
|             | REV: A      | DWG NO.: LP21072005   |